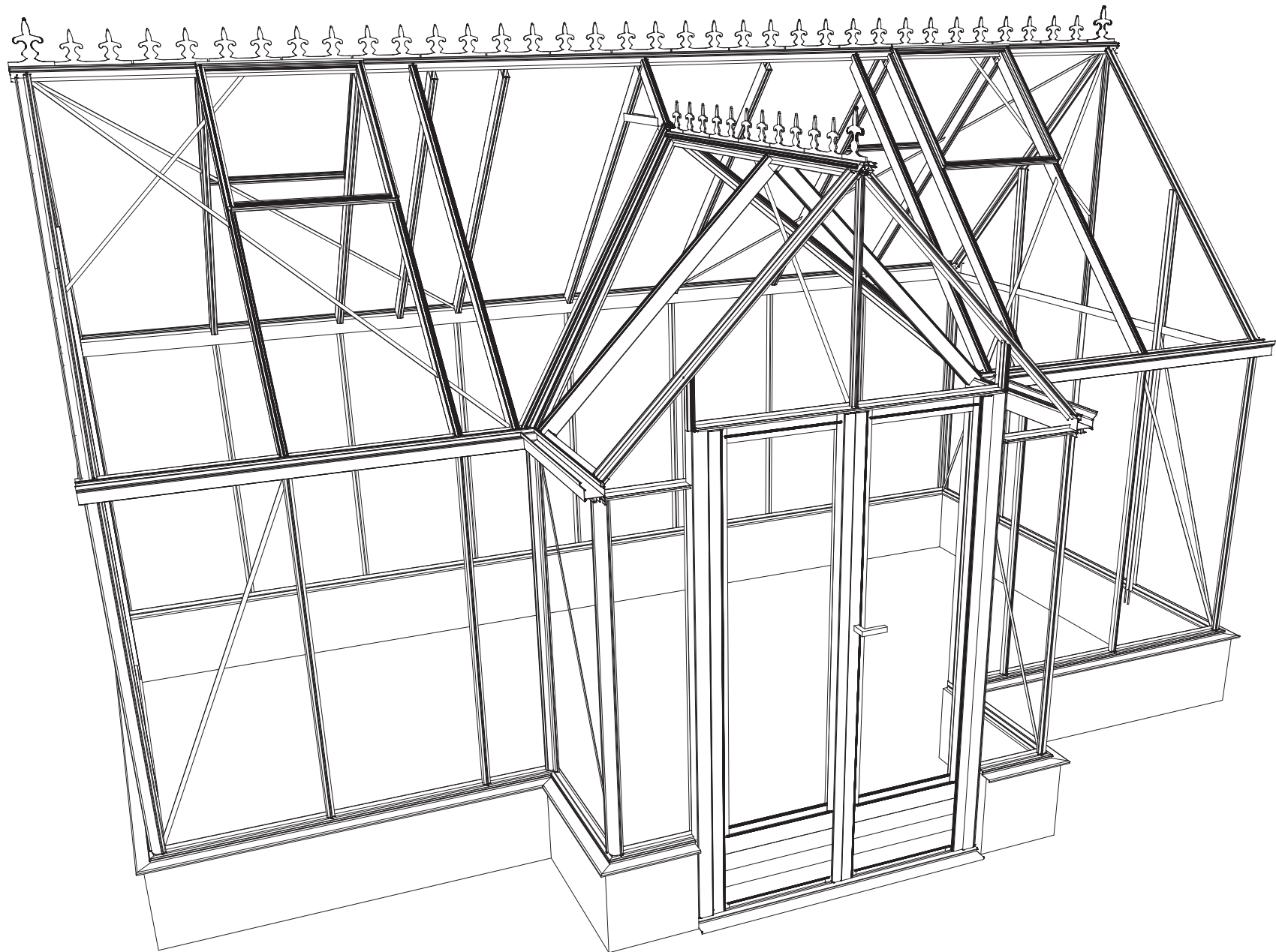
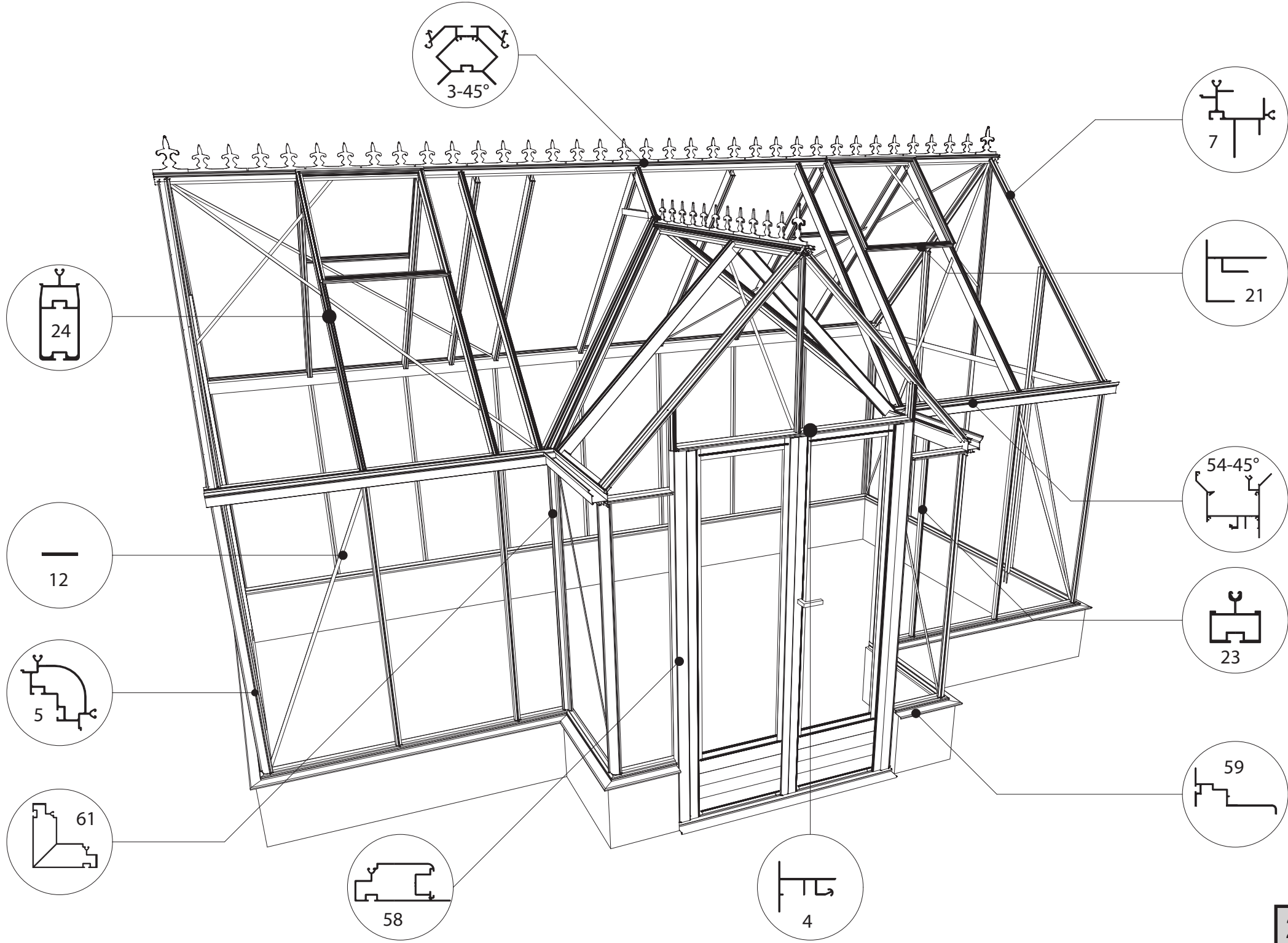


Victorian 2,36 on Wall

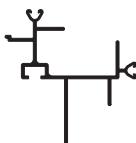



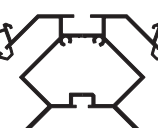






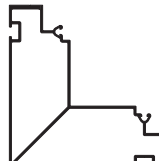



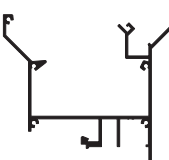
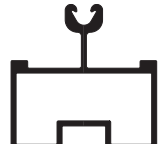



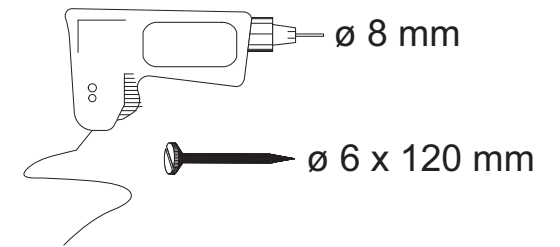
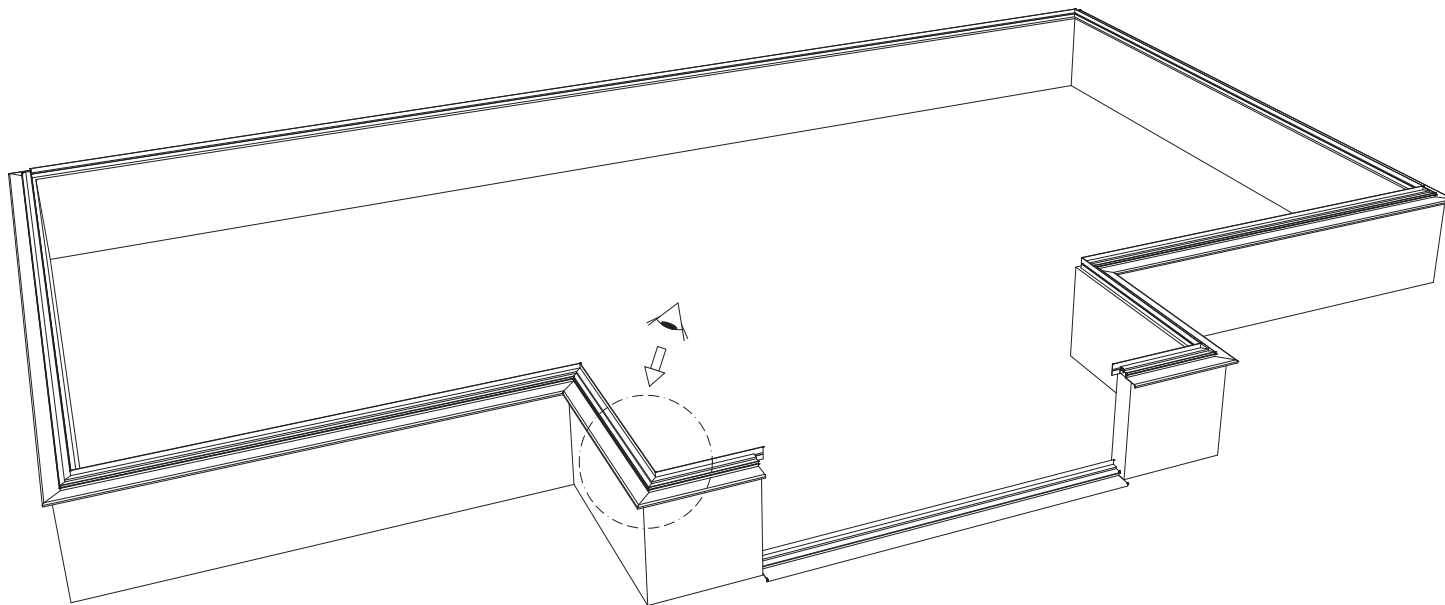
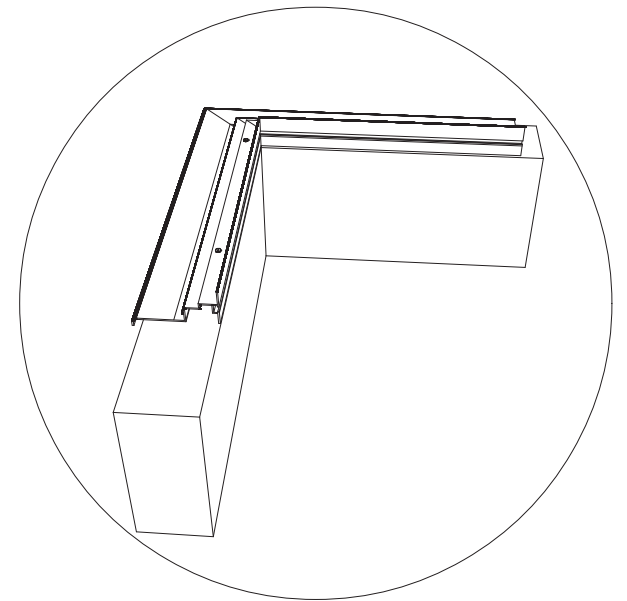
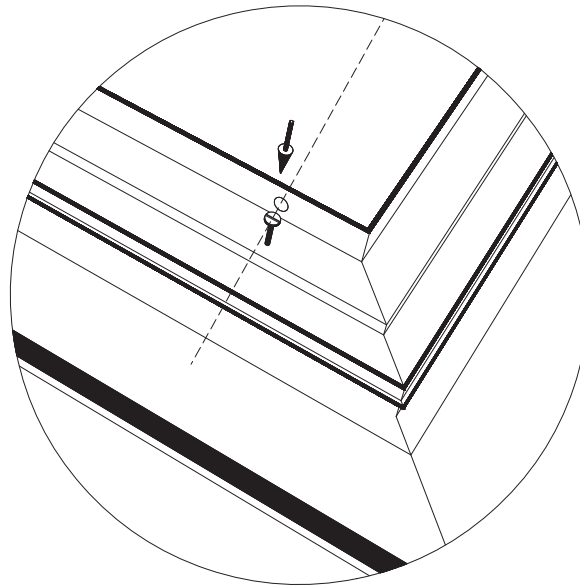
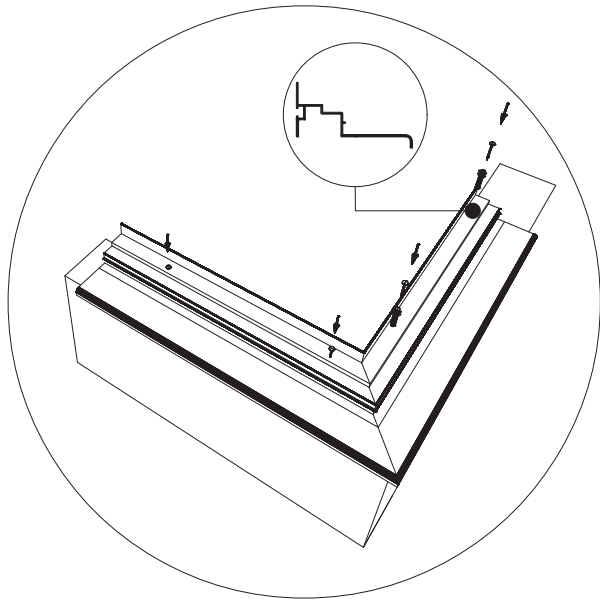
09-05-2018

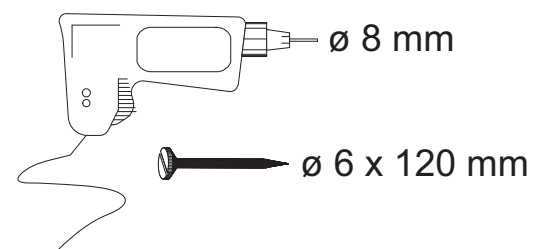
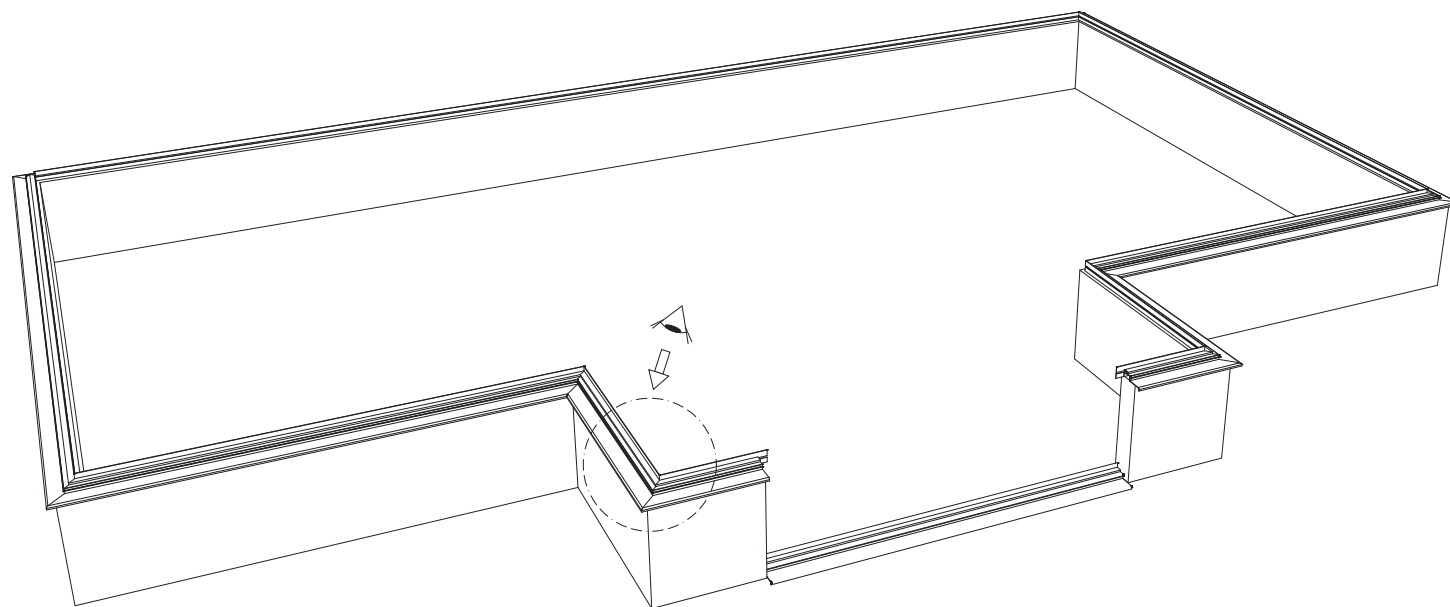
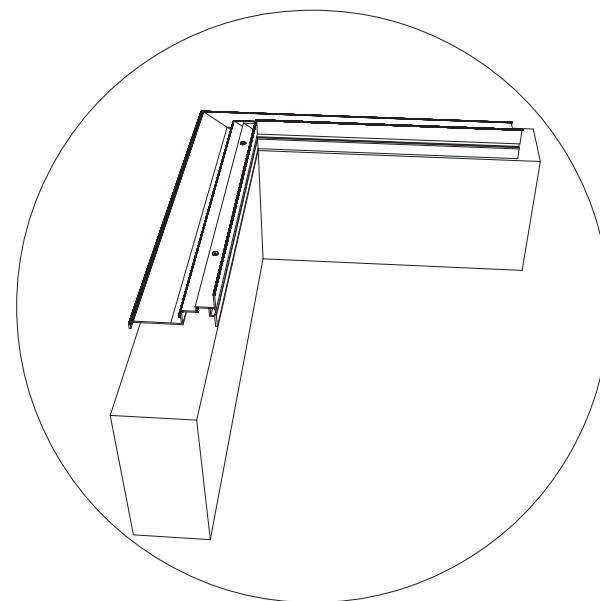
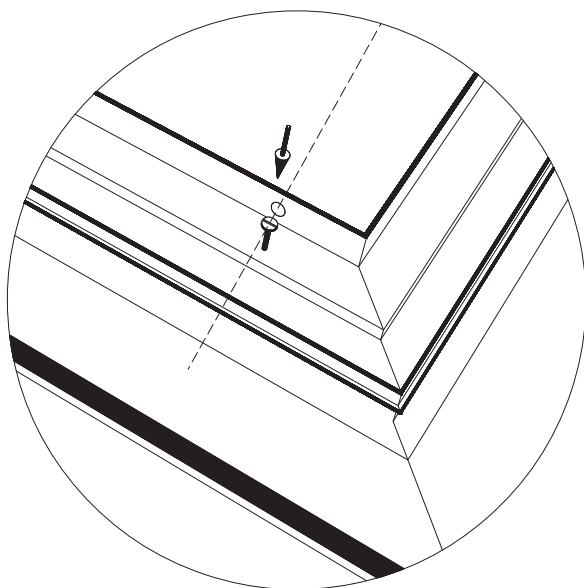
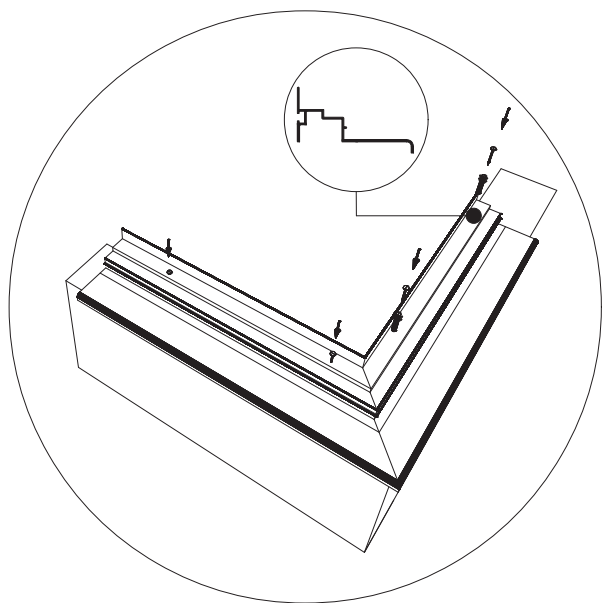
<http://lemmensstijn.be/Victorian%20on%20wall%20%2C36.pdf>

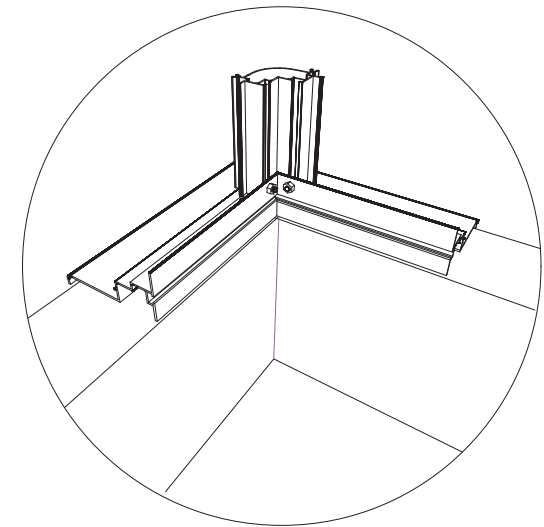
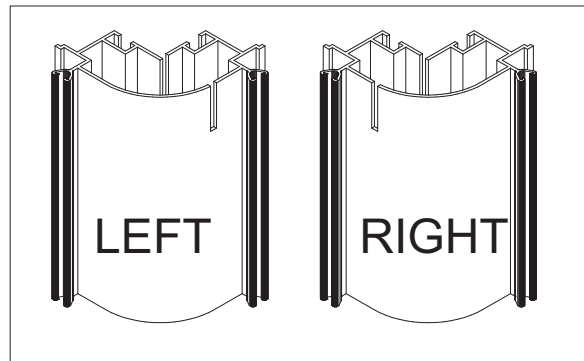
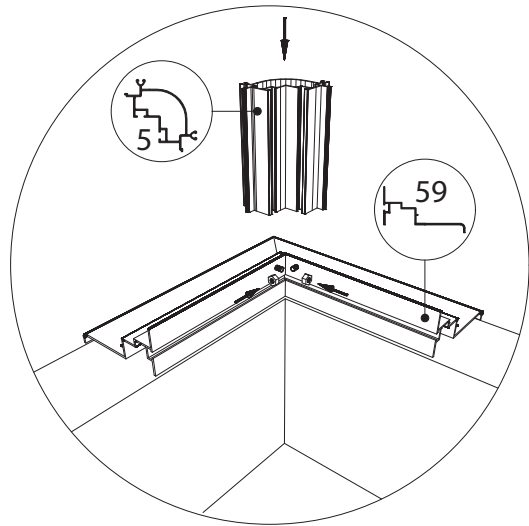


Profile List

	NR	Profile NR		NR	Profile NR		NR	Profile NR		NR	Profile NR
	7	7151		17	L 40/40/2		59	9249		9	L15/15/2
	3-45°	15732		24	10968		12	7070		21	29577
	58	12960		27	B 18		18	17542		61	13994
	5	17548		4	17549		19	17543			
	54-45°	17540		23	17703		20T	28513			







RIGHT

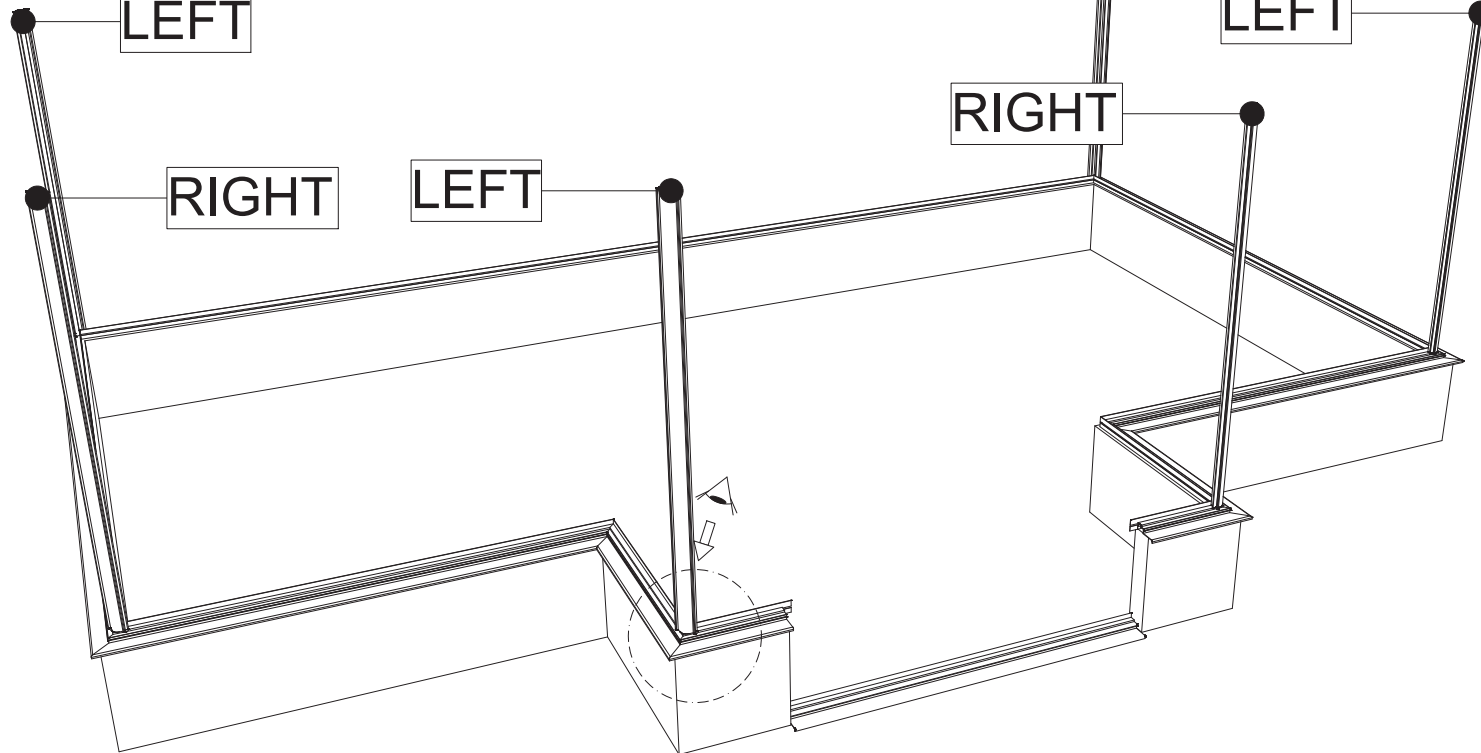
LEFT

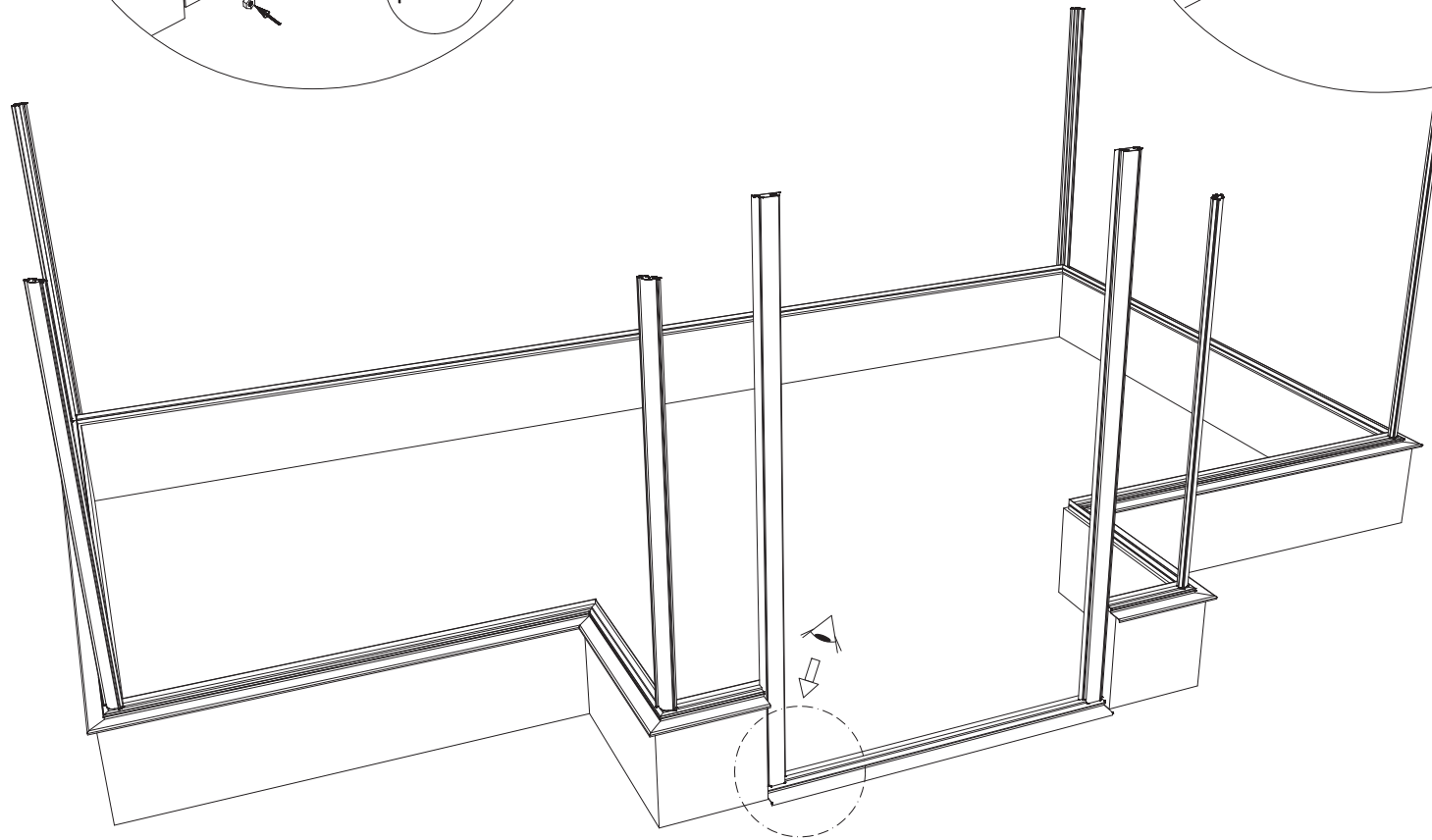
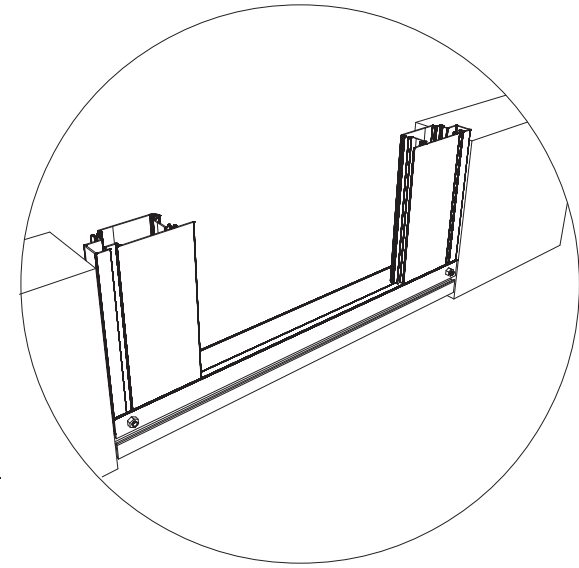
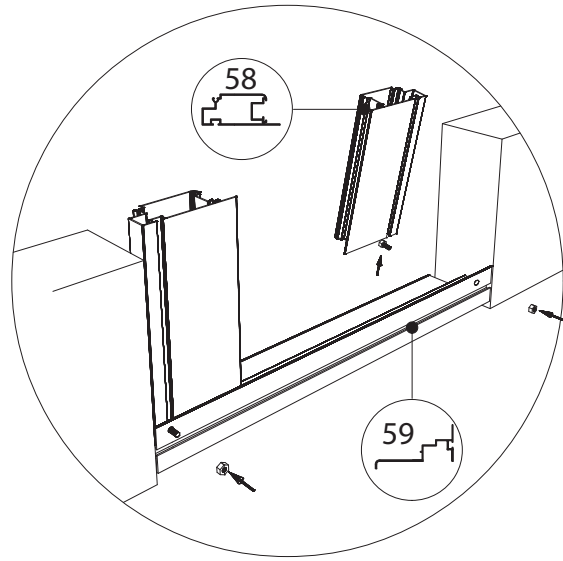
LEFT

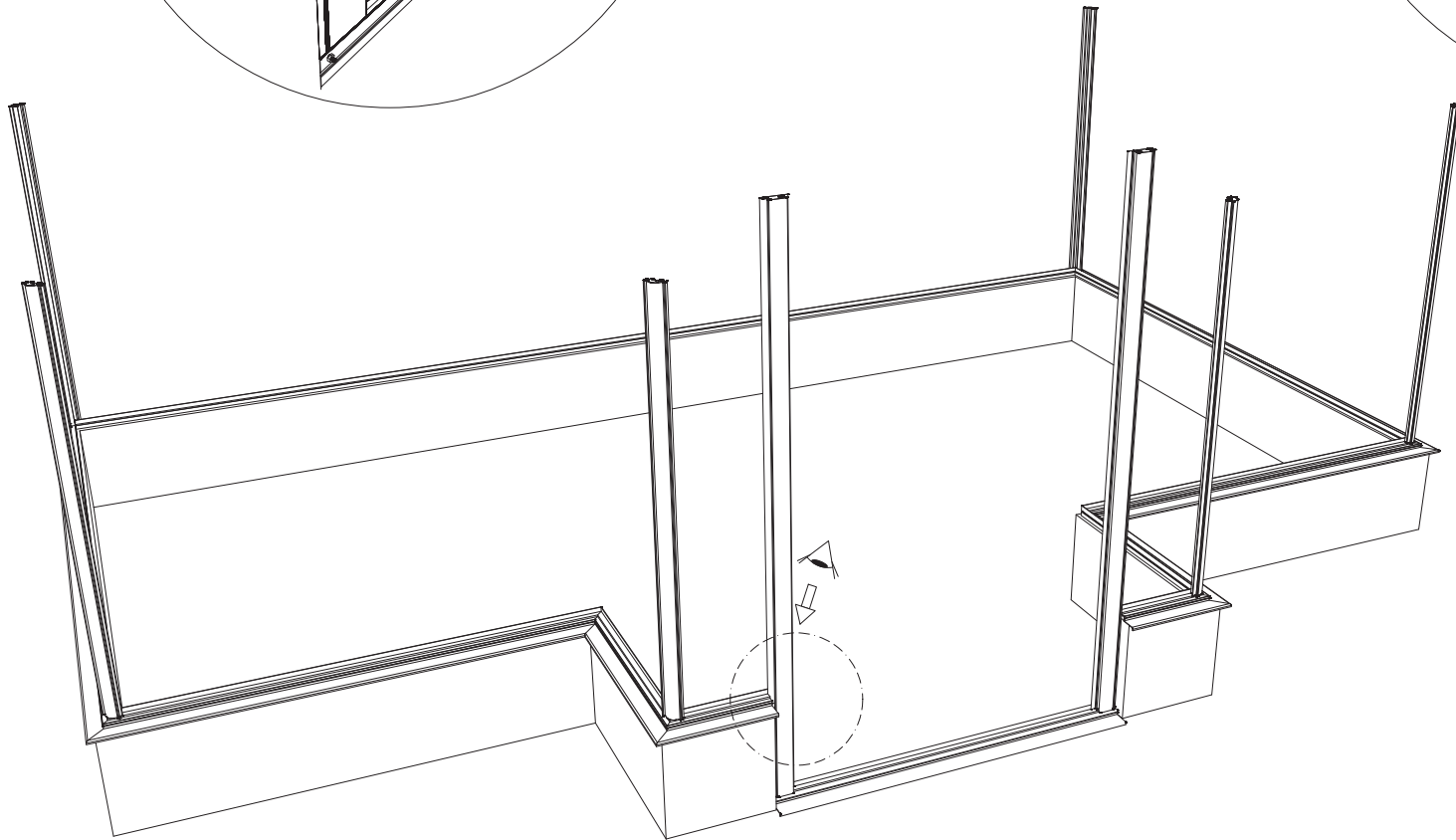
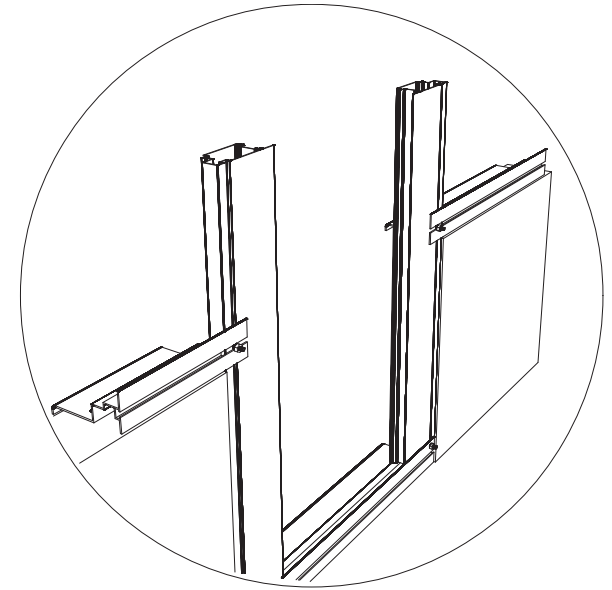
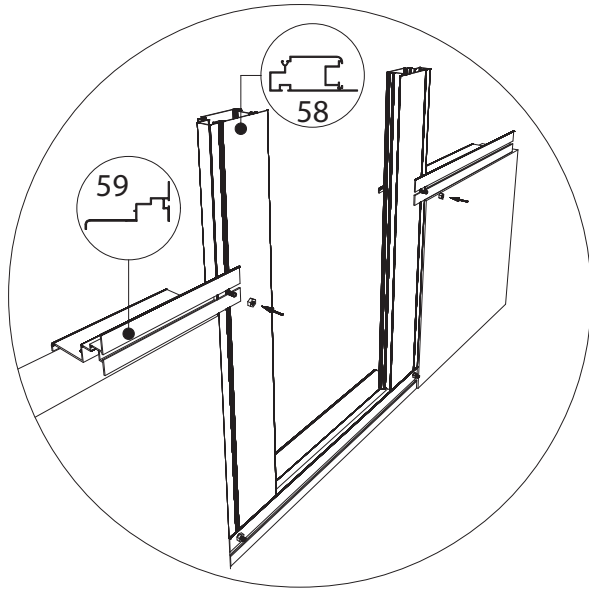
RIGHT

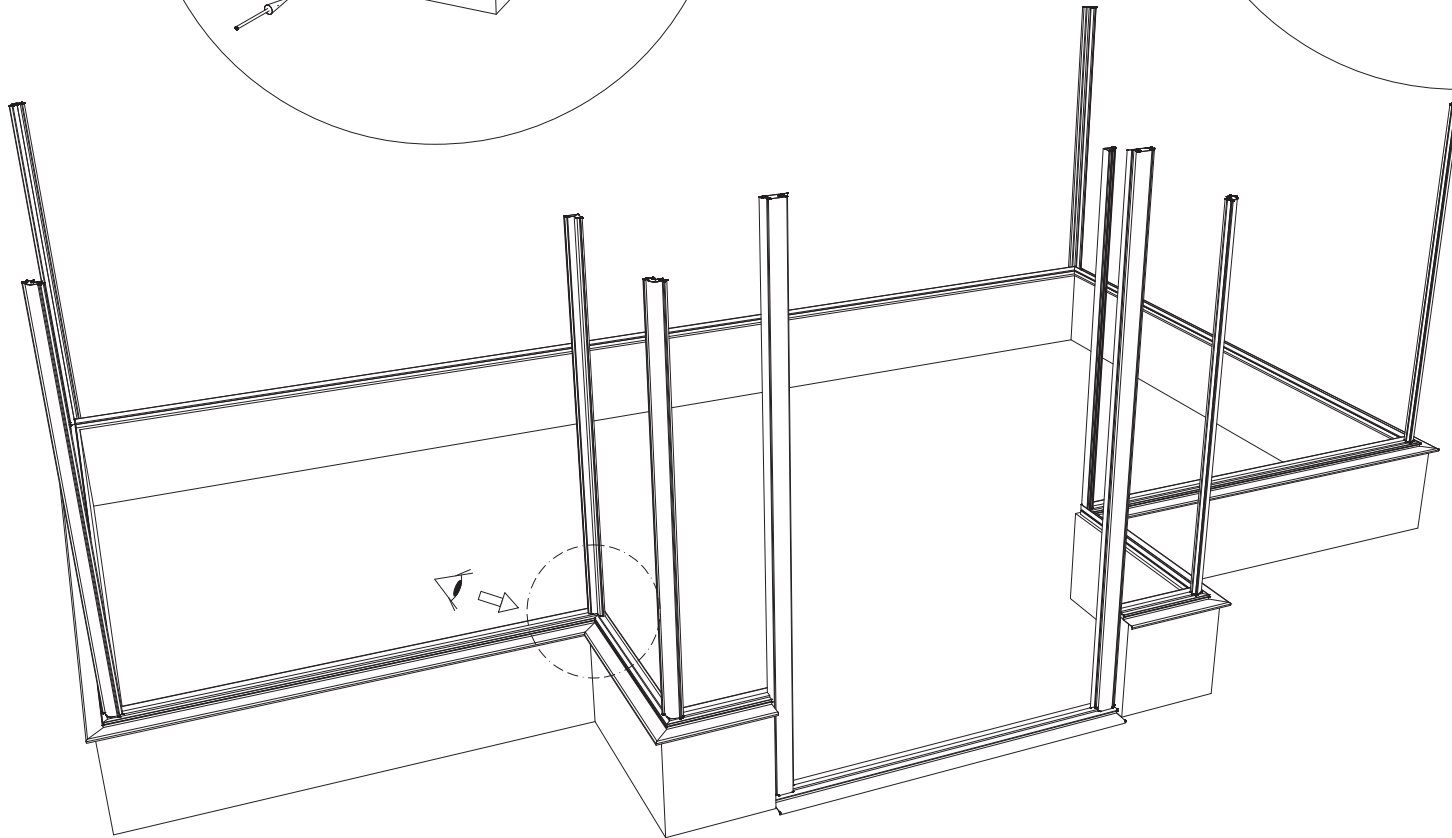
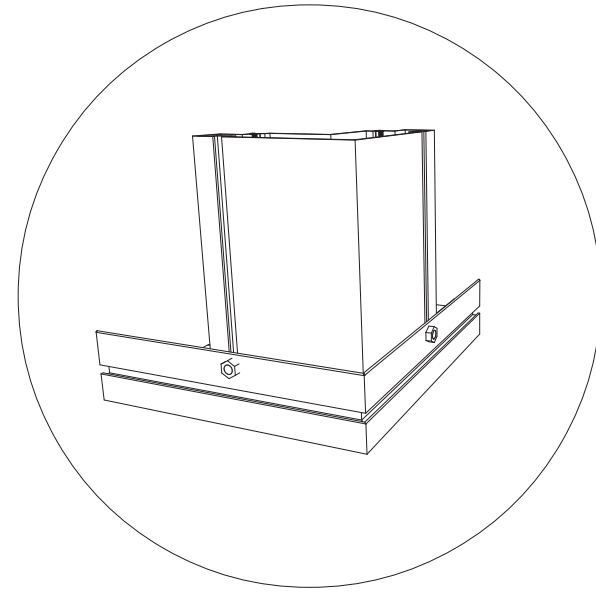
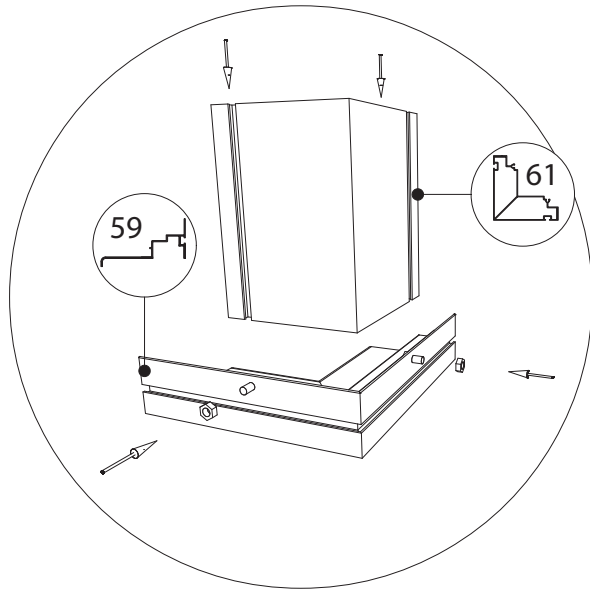
LEFT

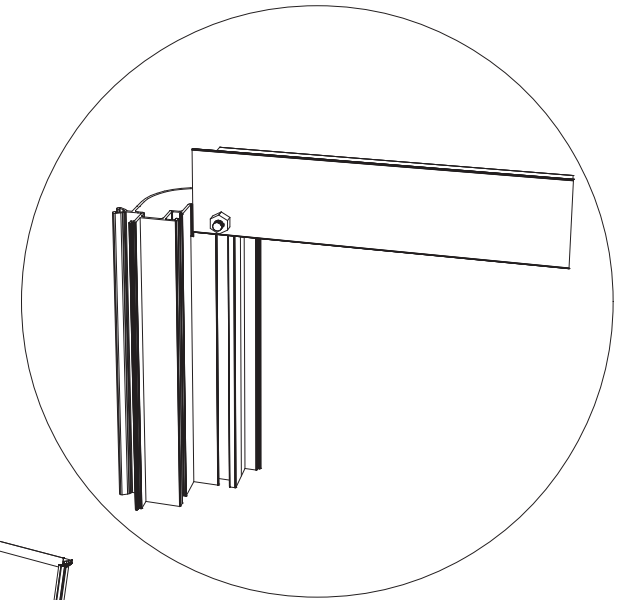
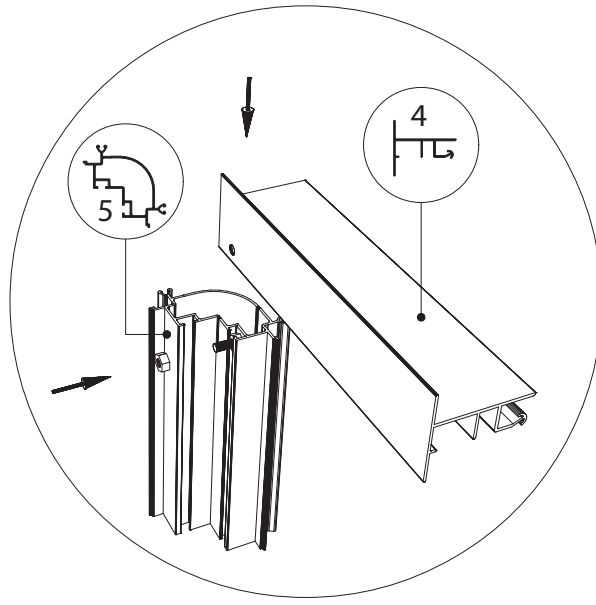
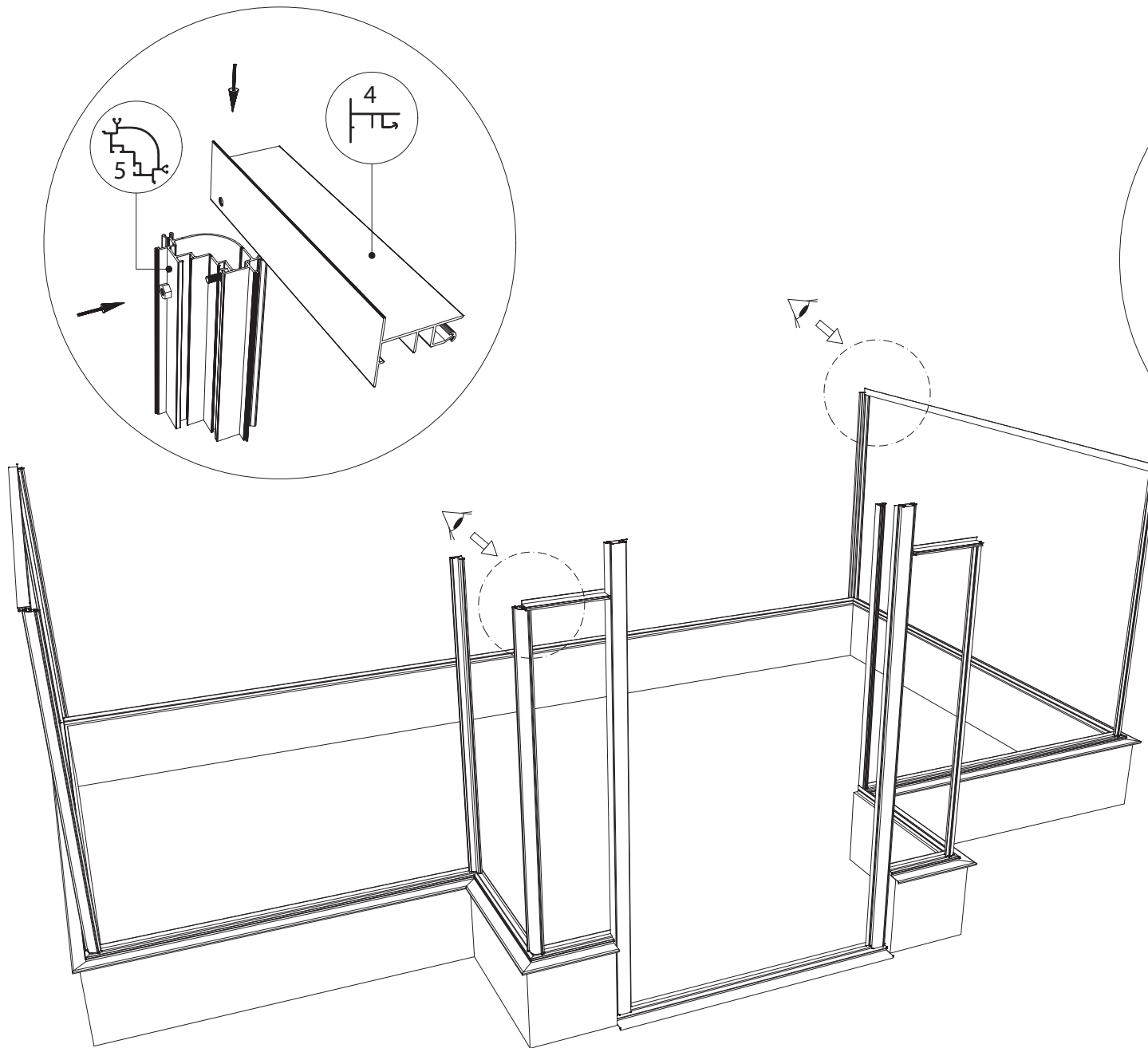
RIGHT

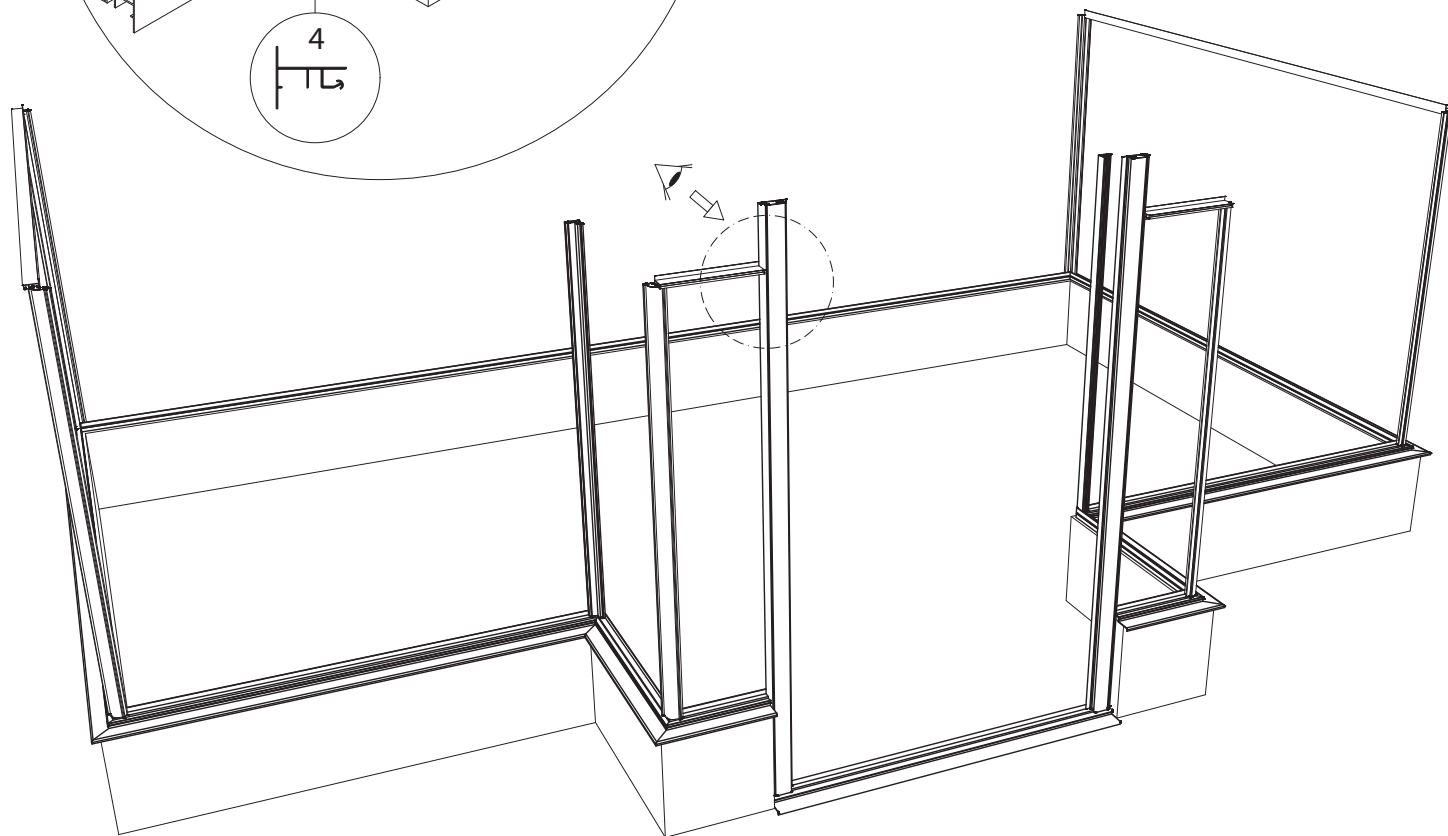
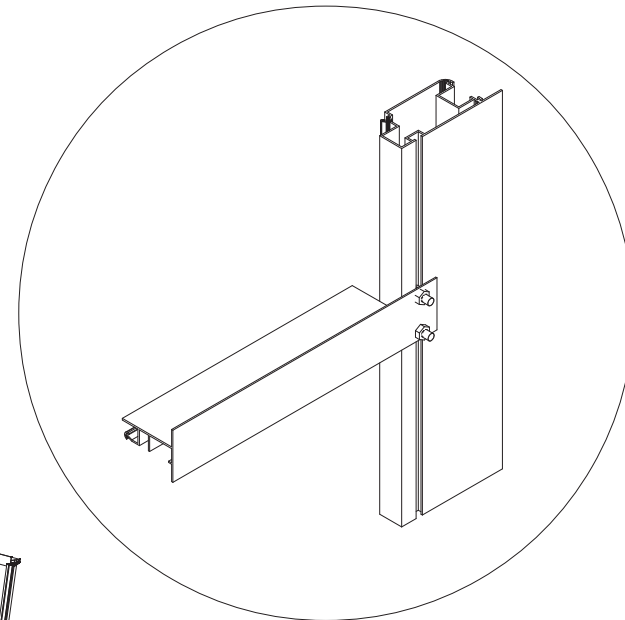
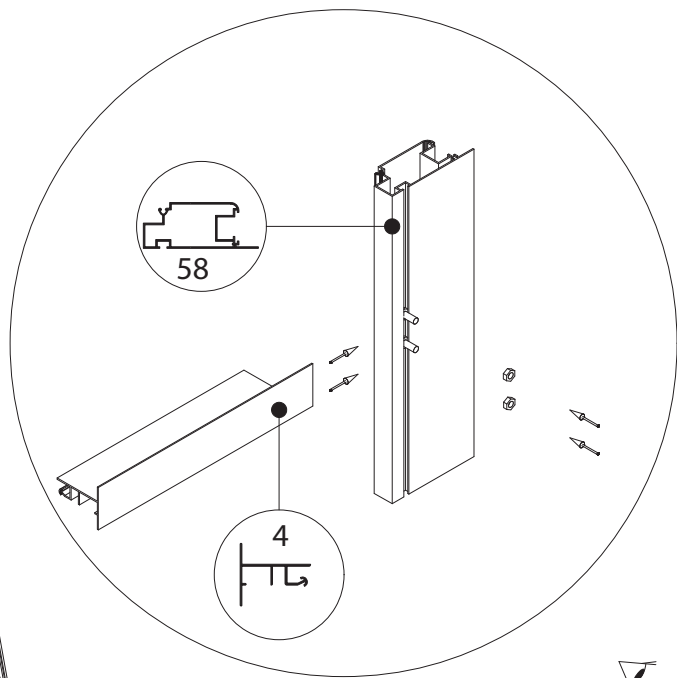




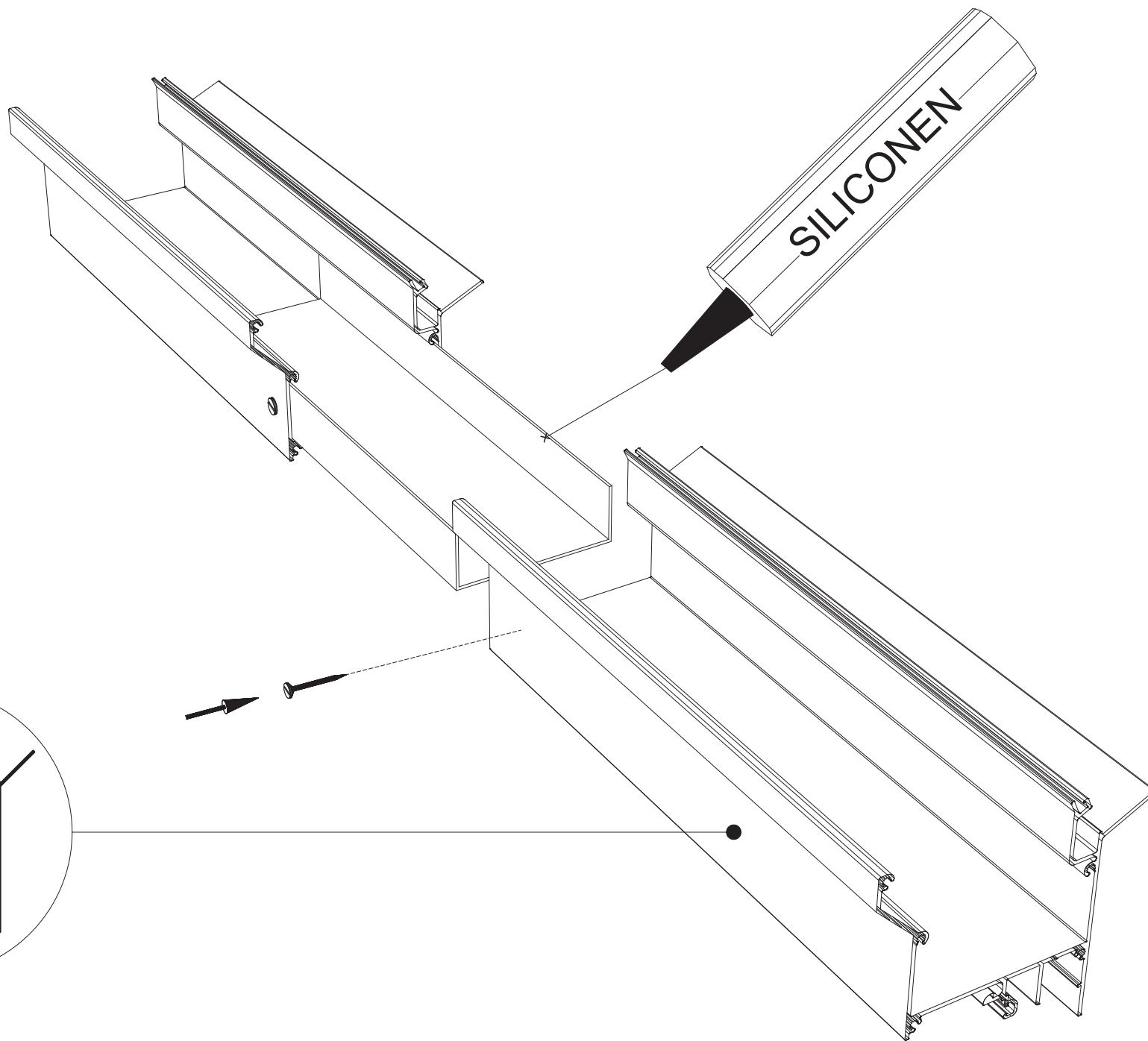
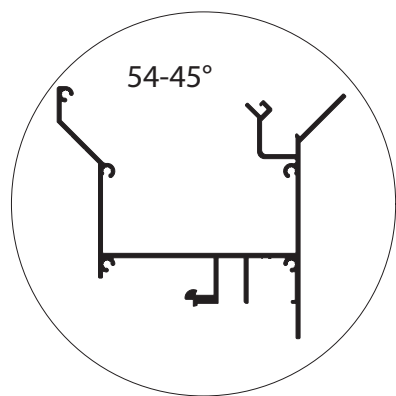
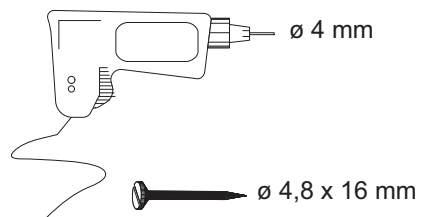


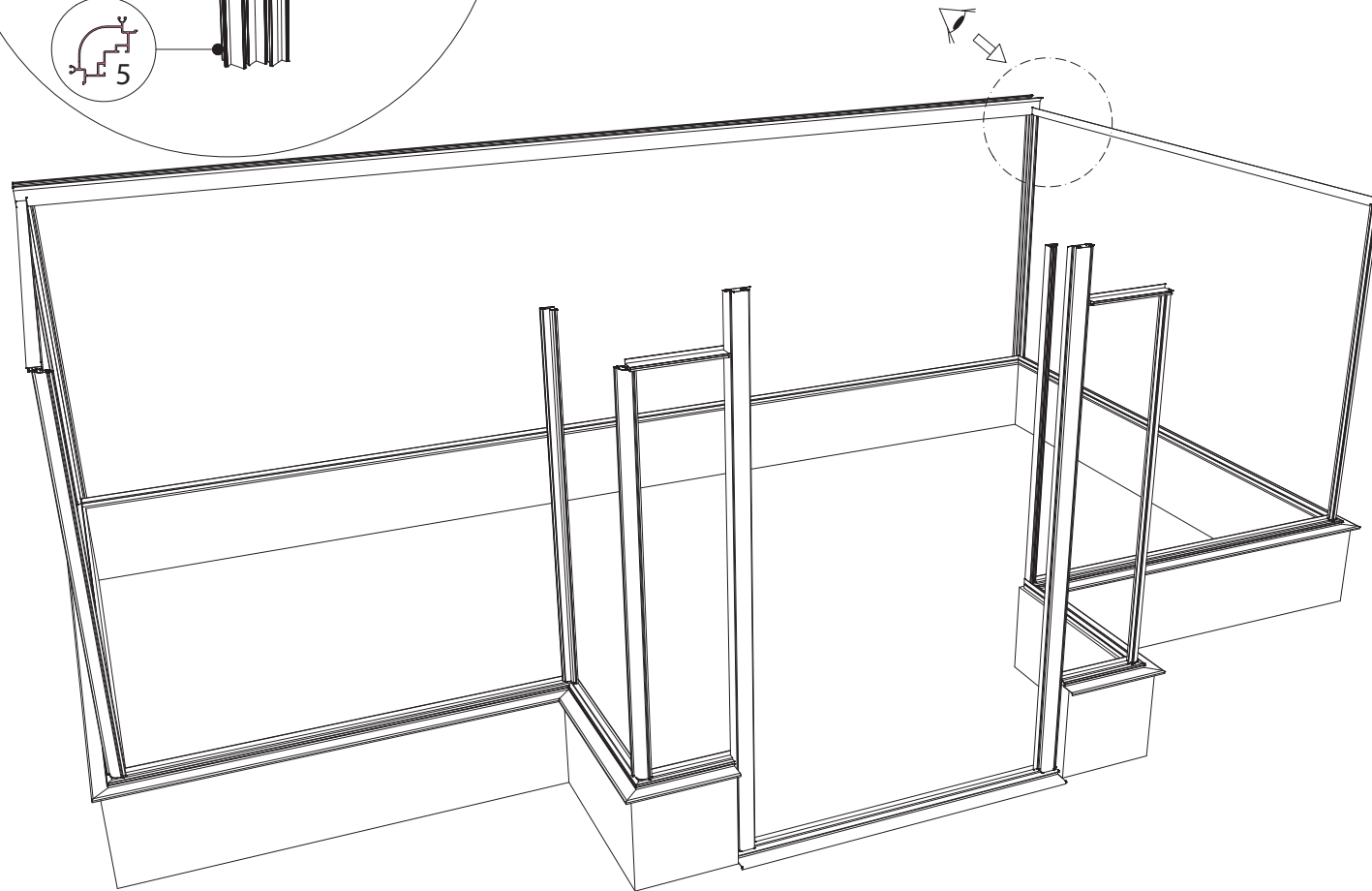
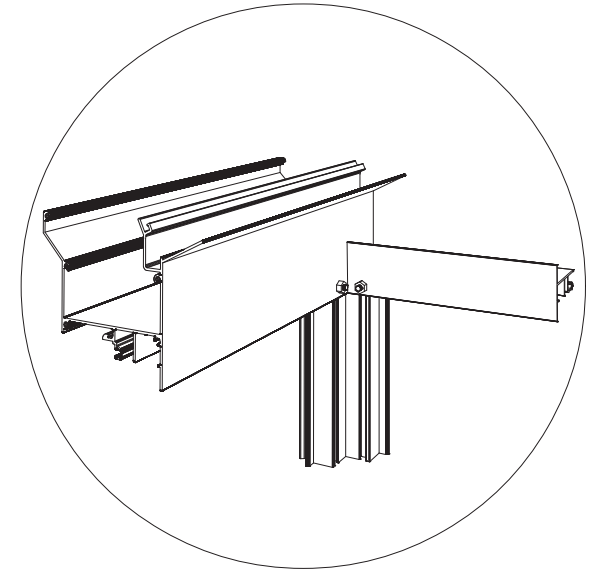
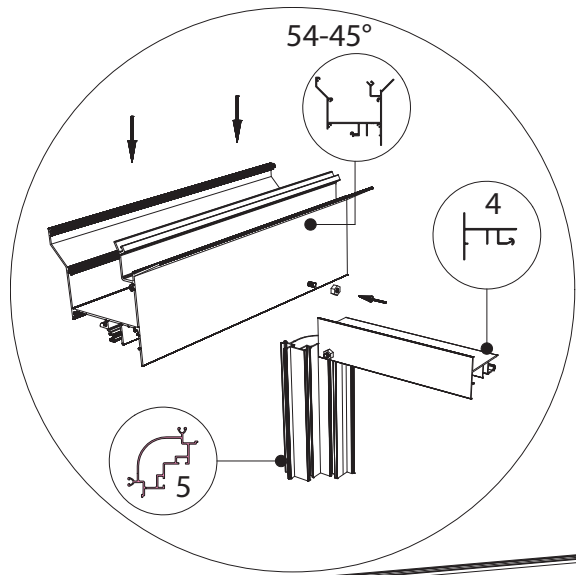


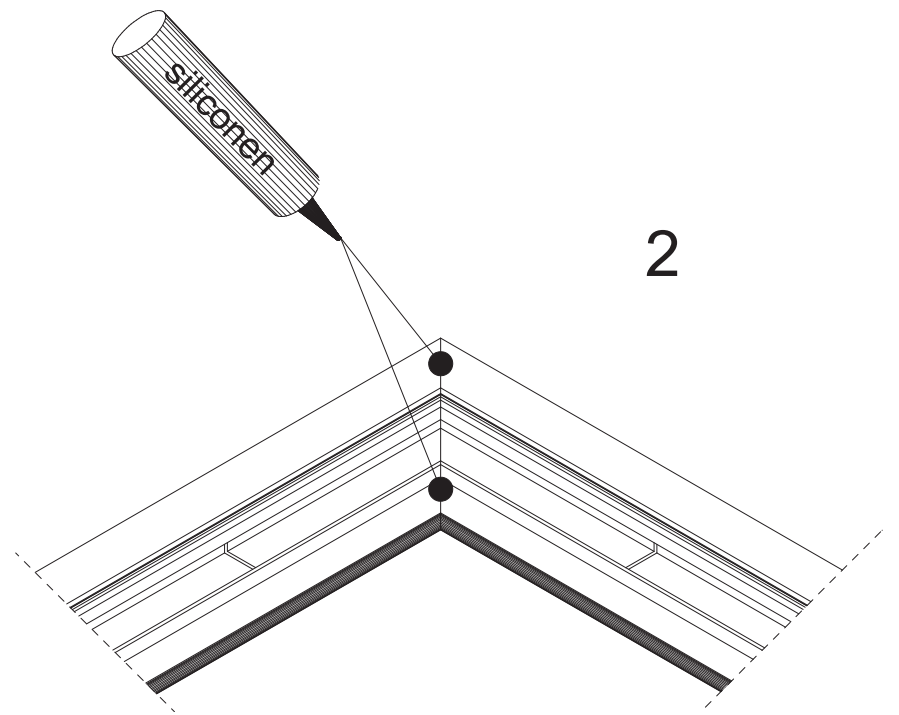
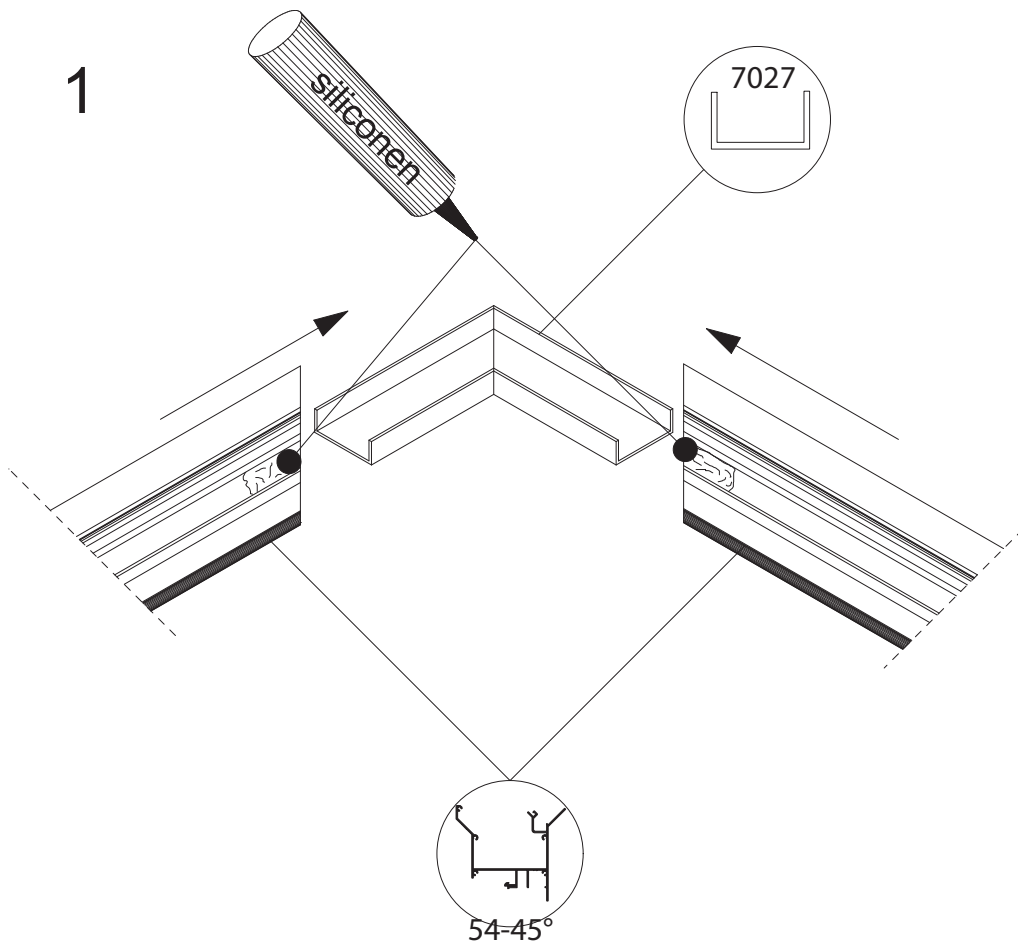


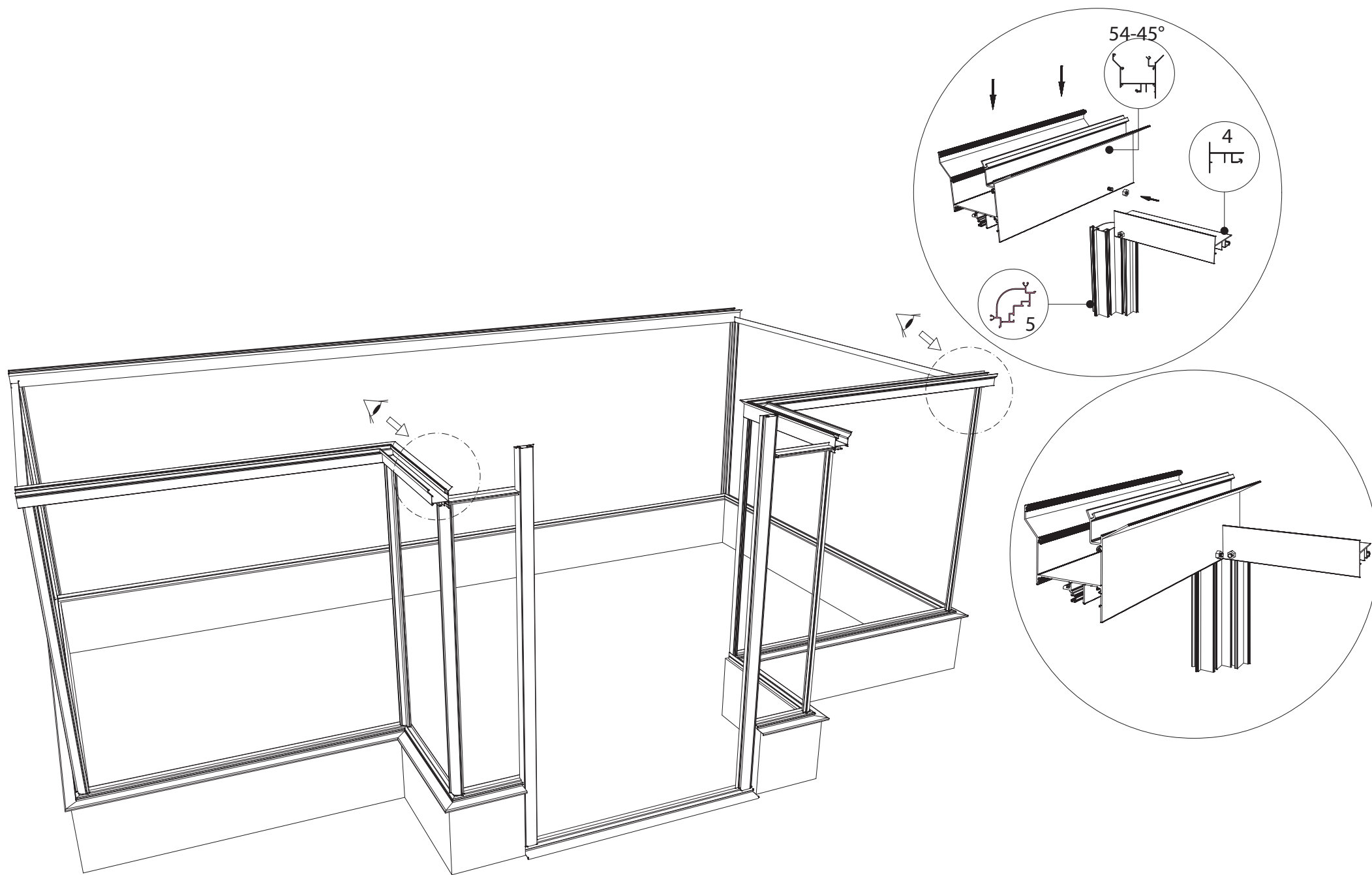


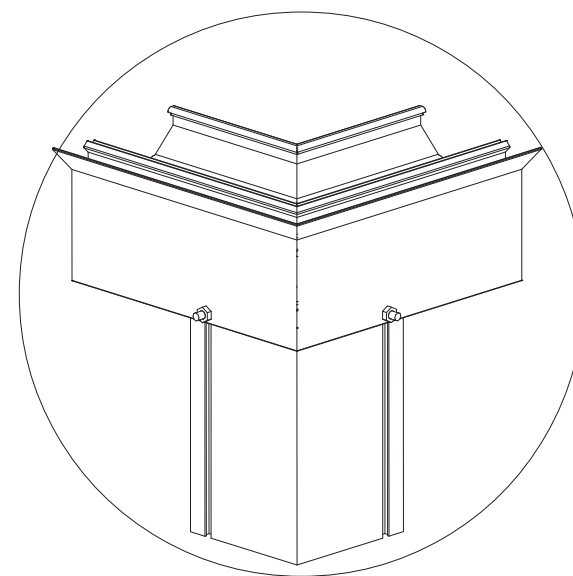
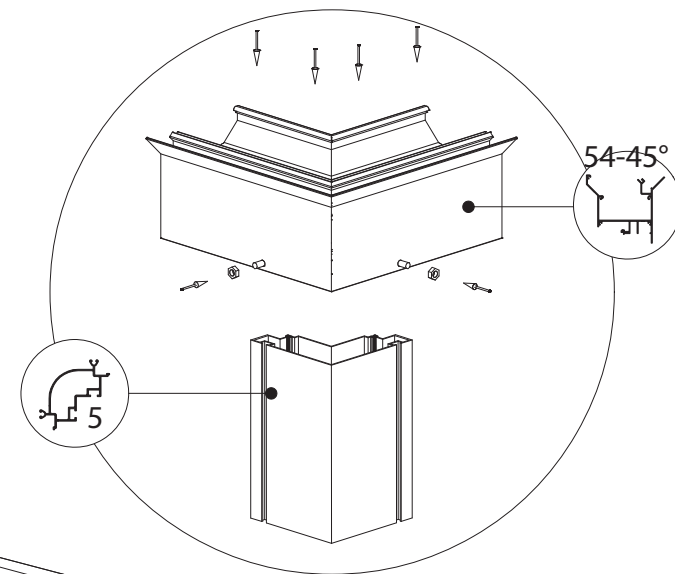
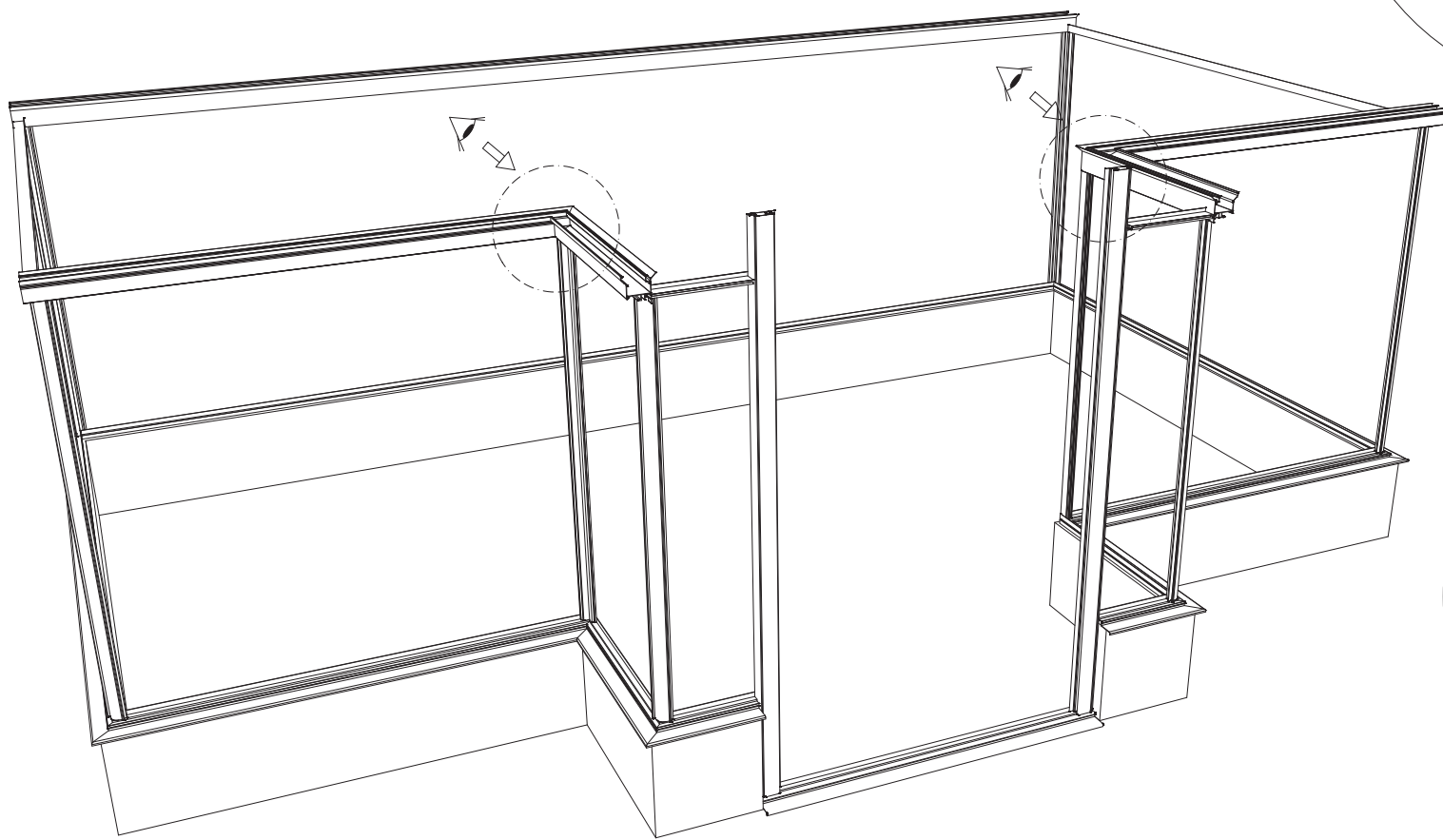
Victorian $\geq 7,53 + 9,04$

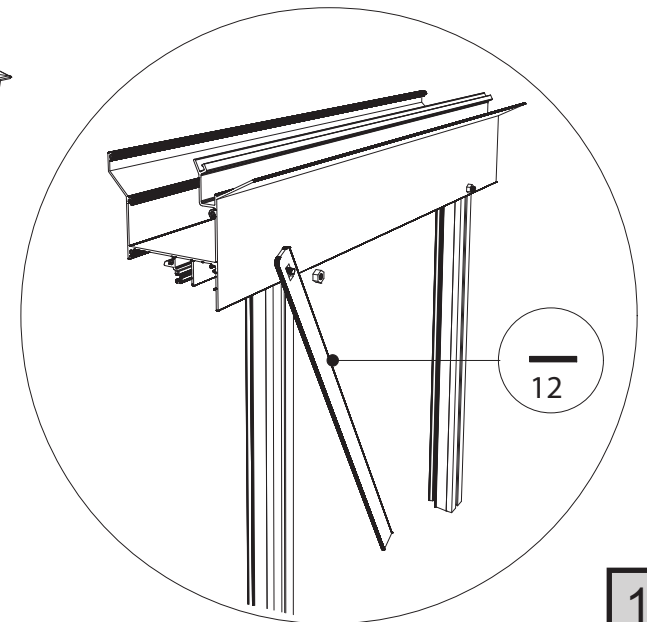
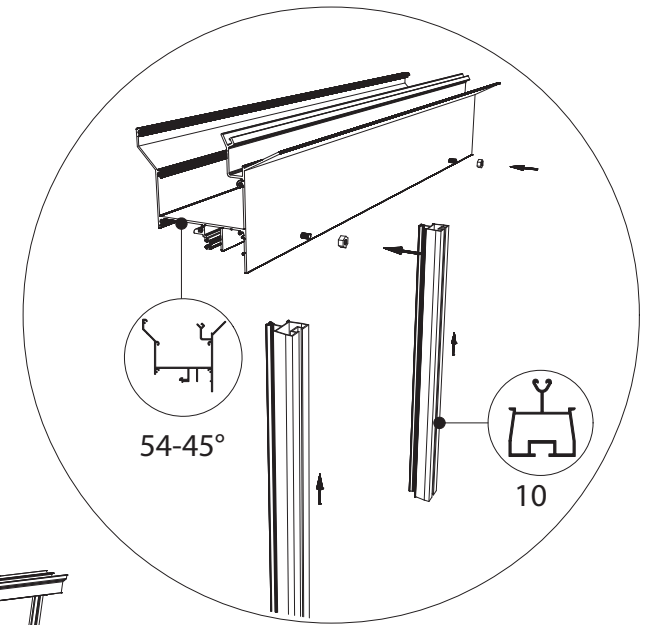
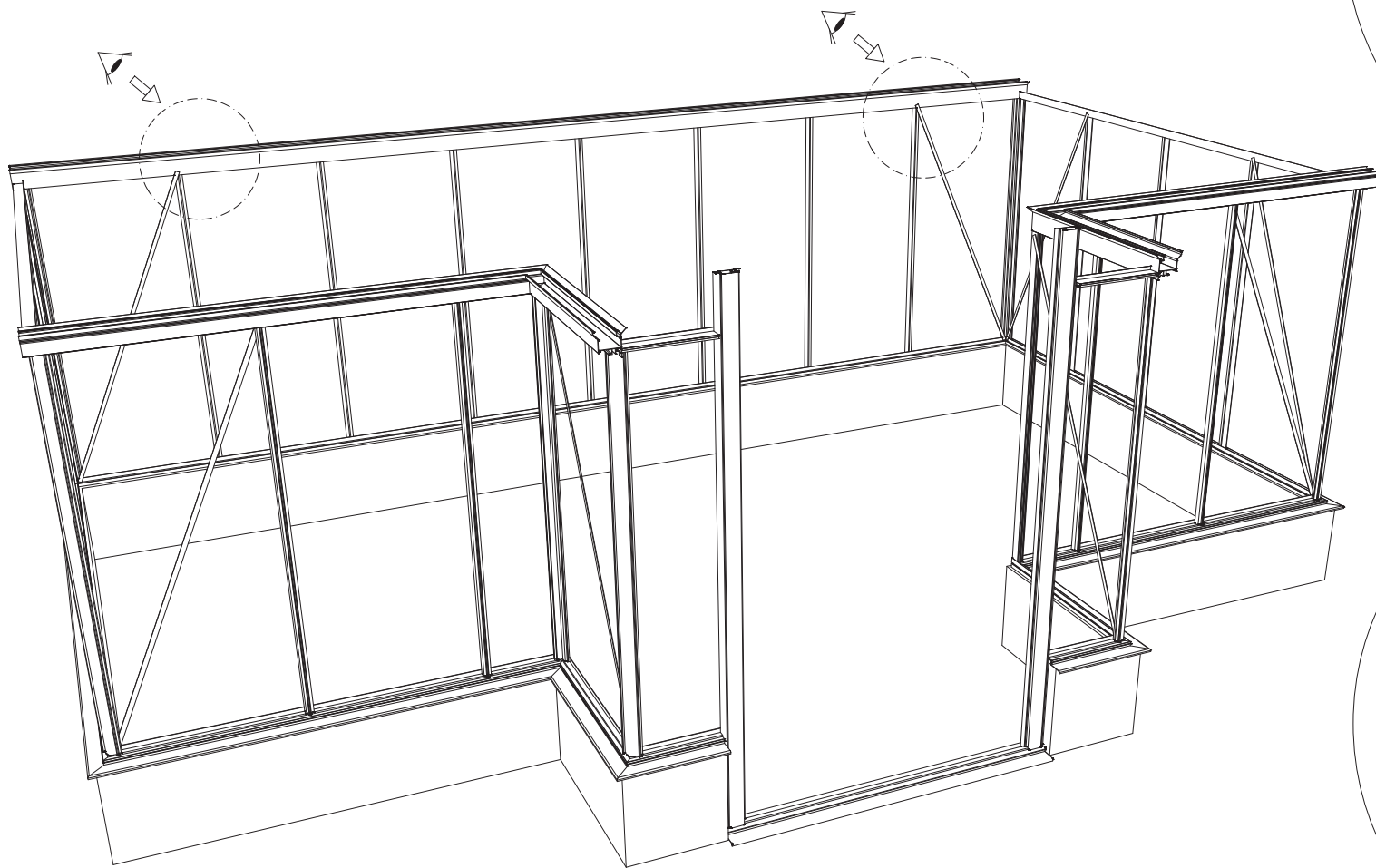


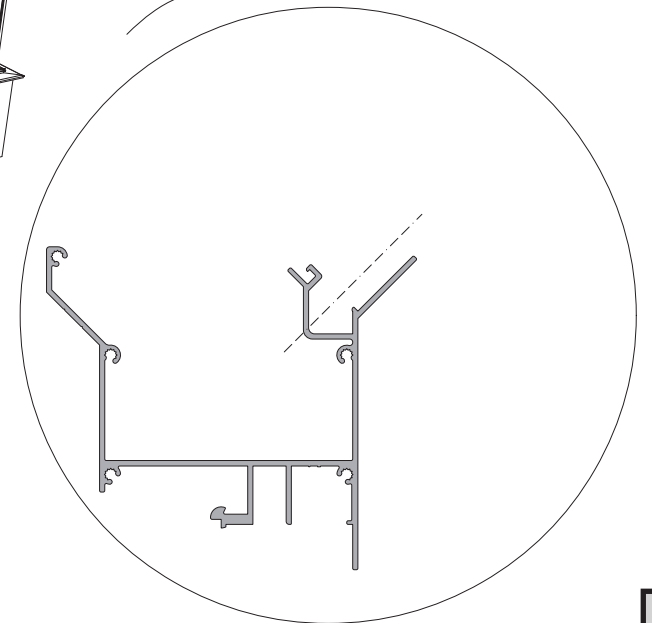
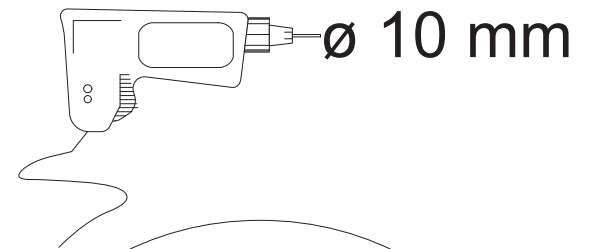
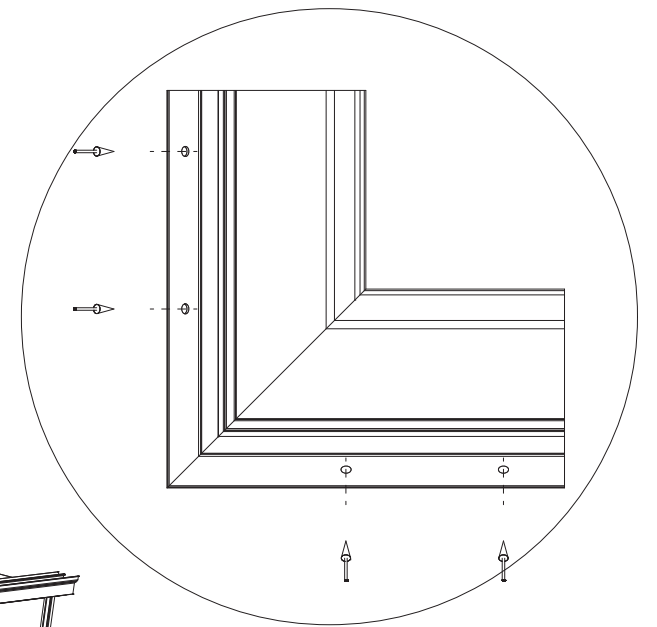
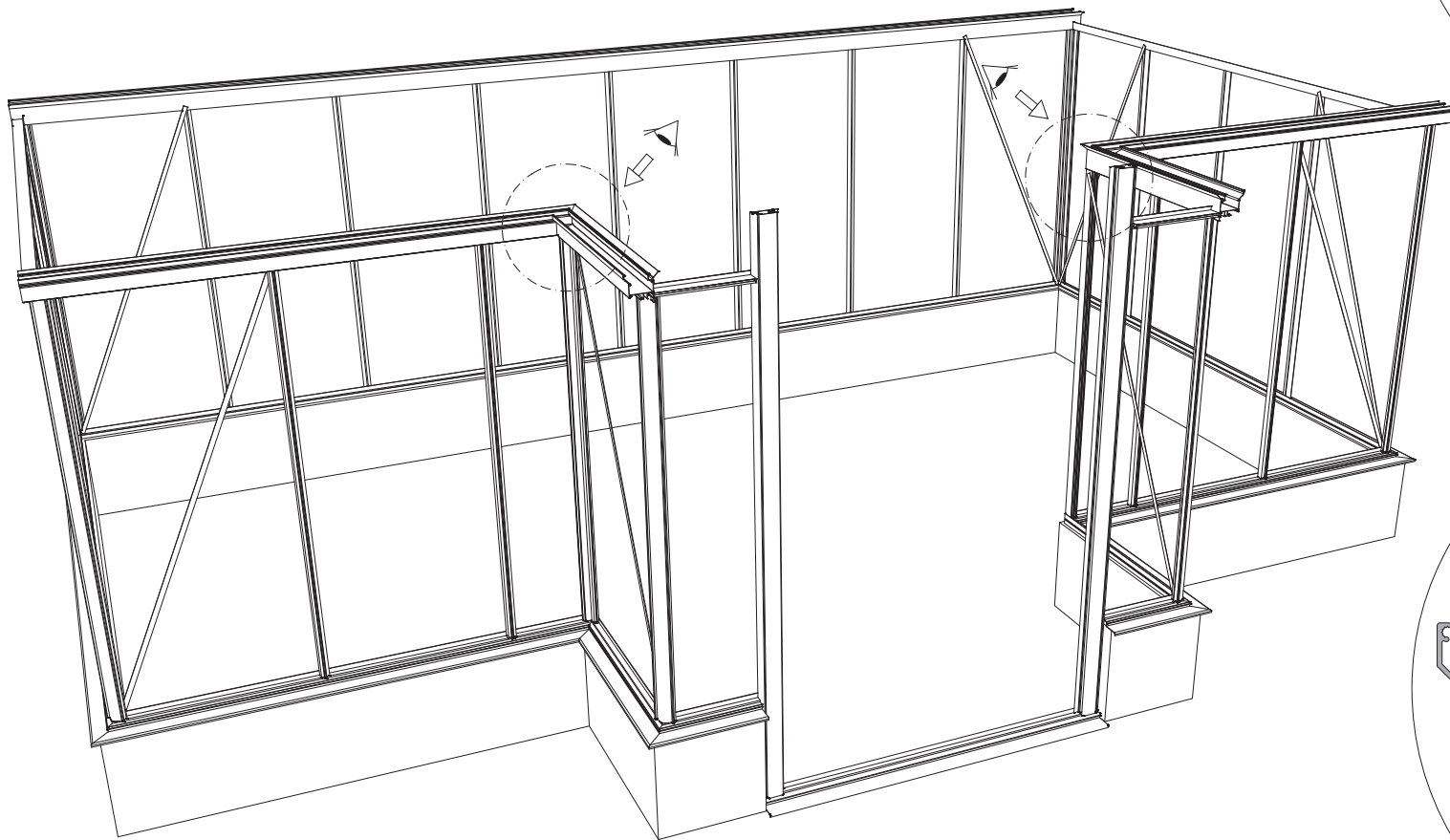


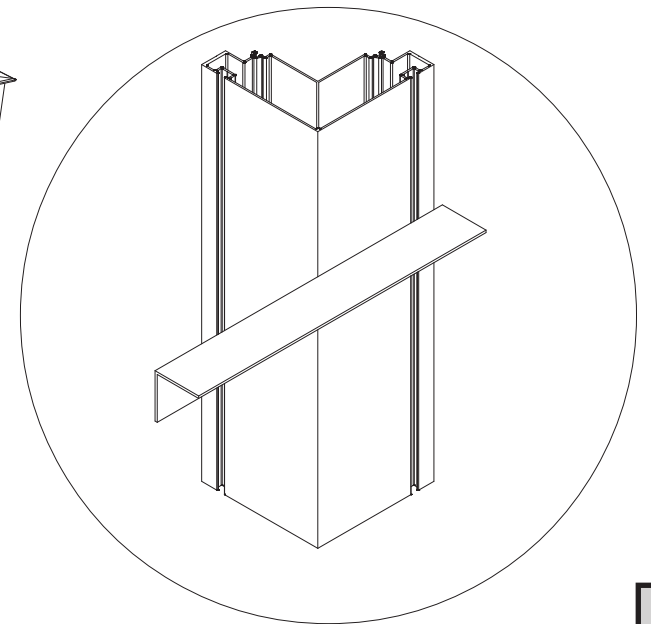
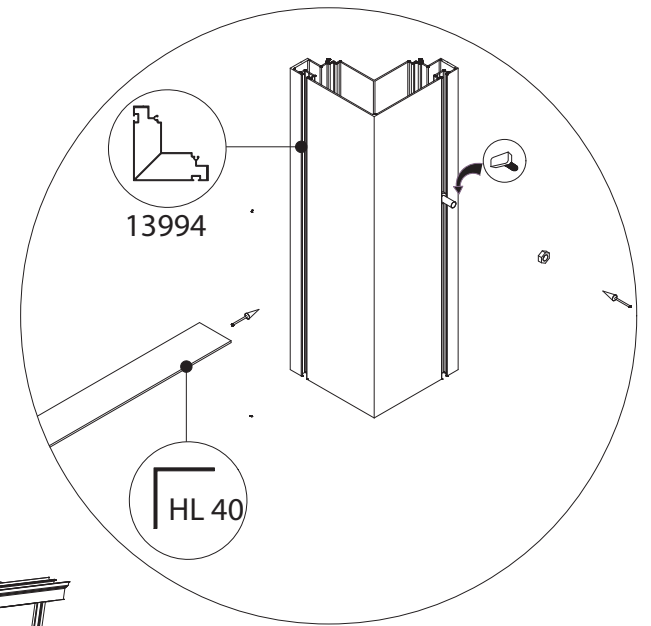
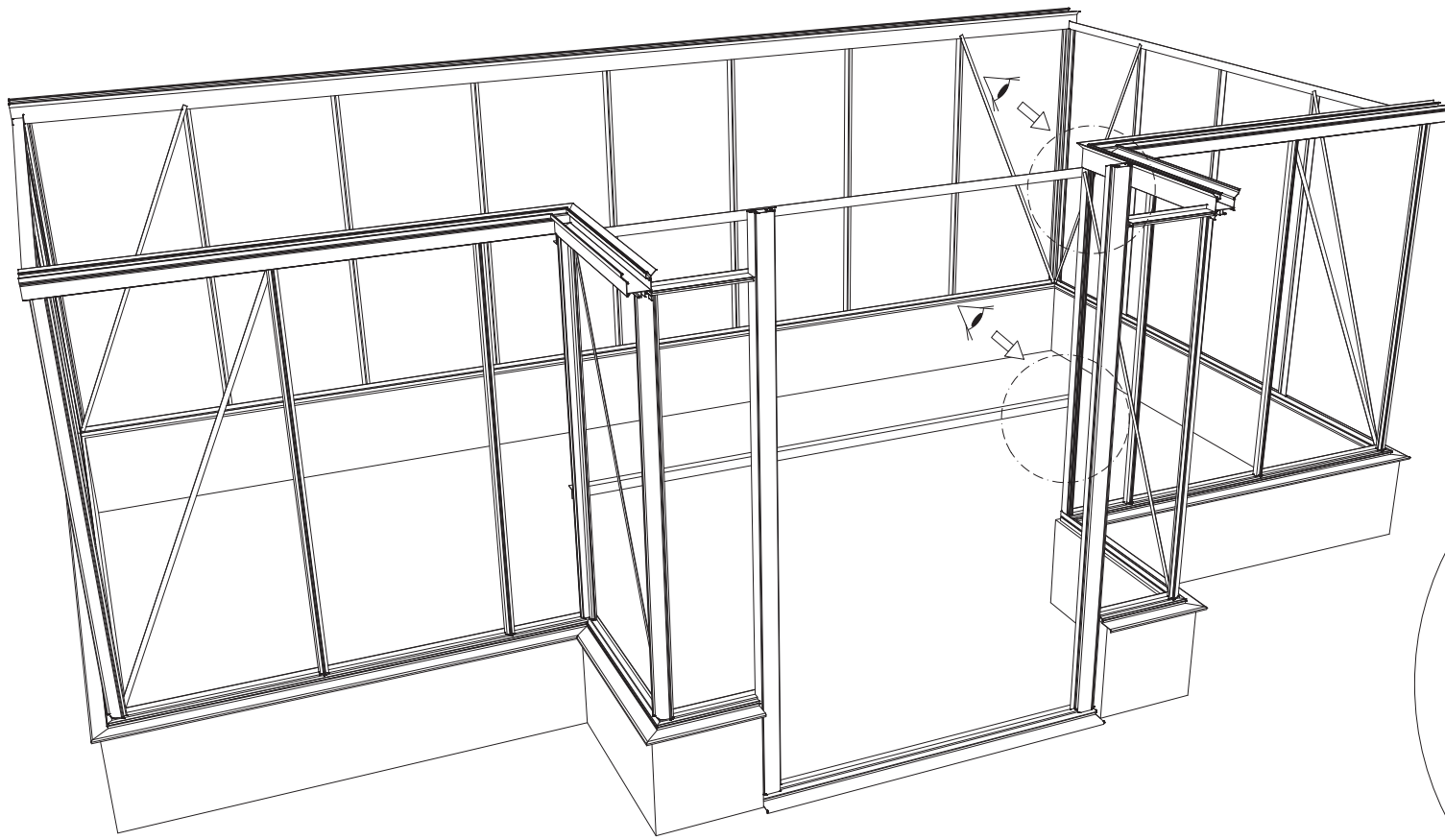


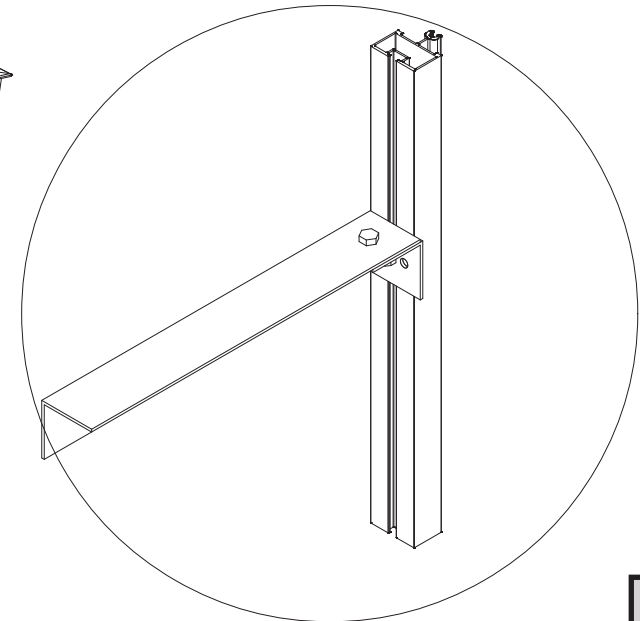
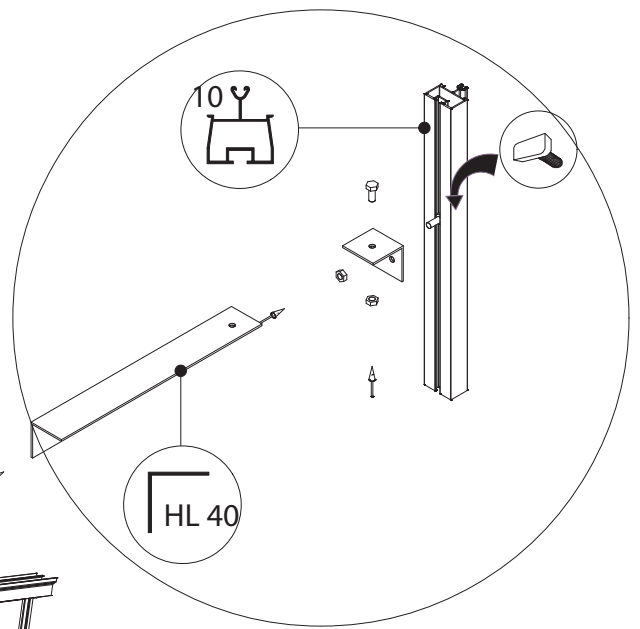
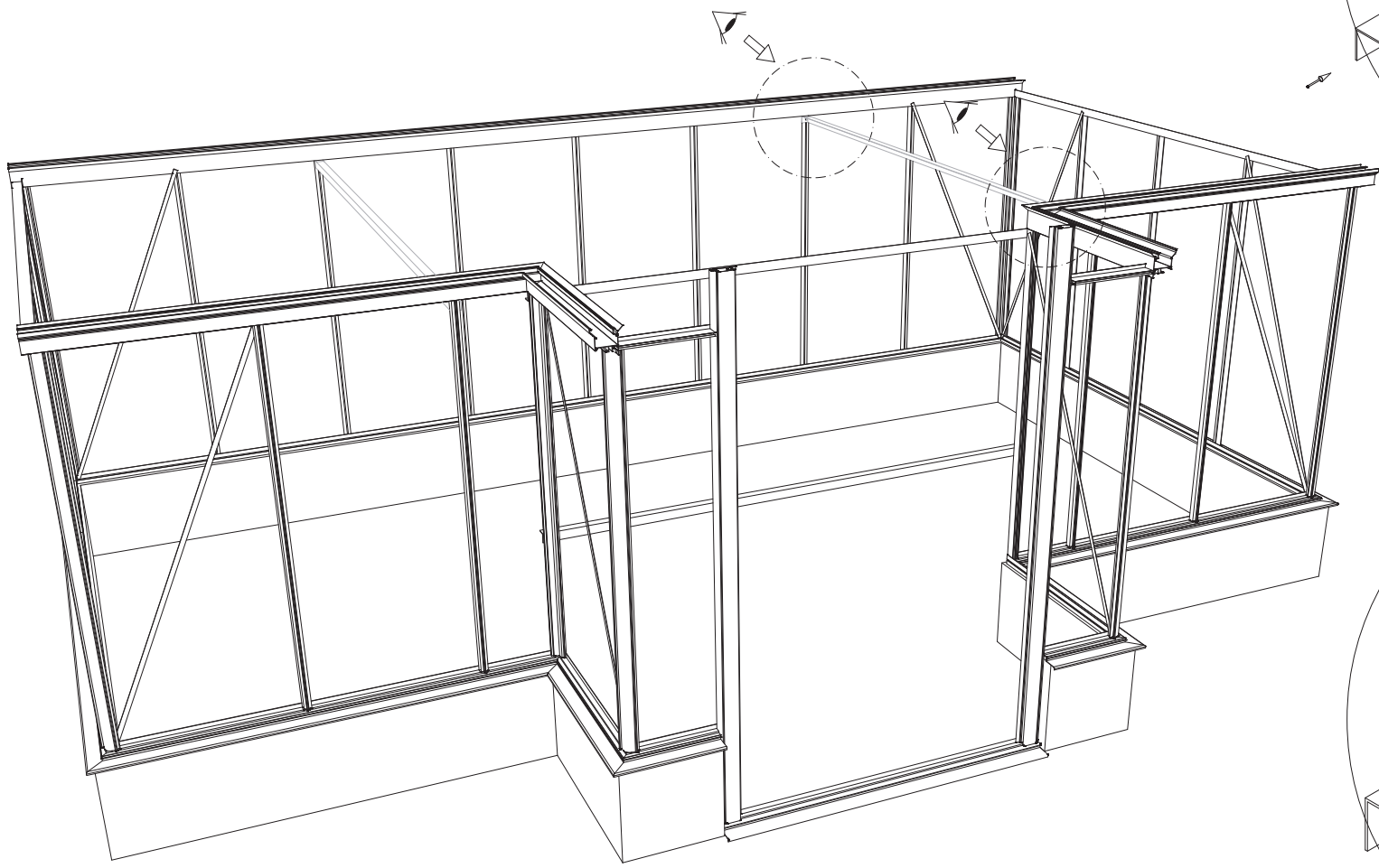


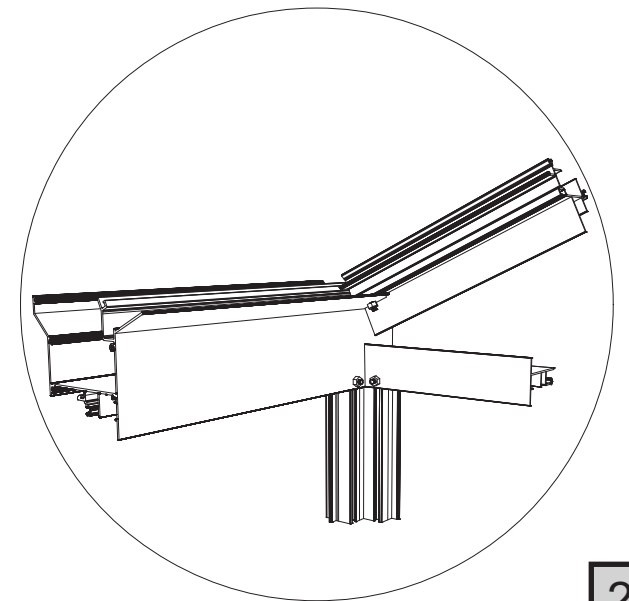
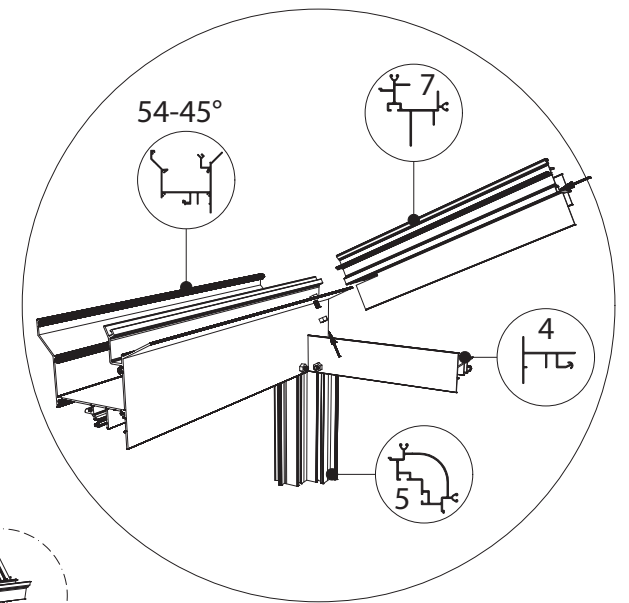
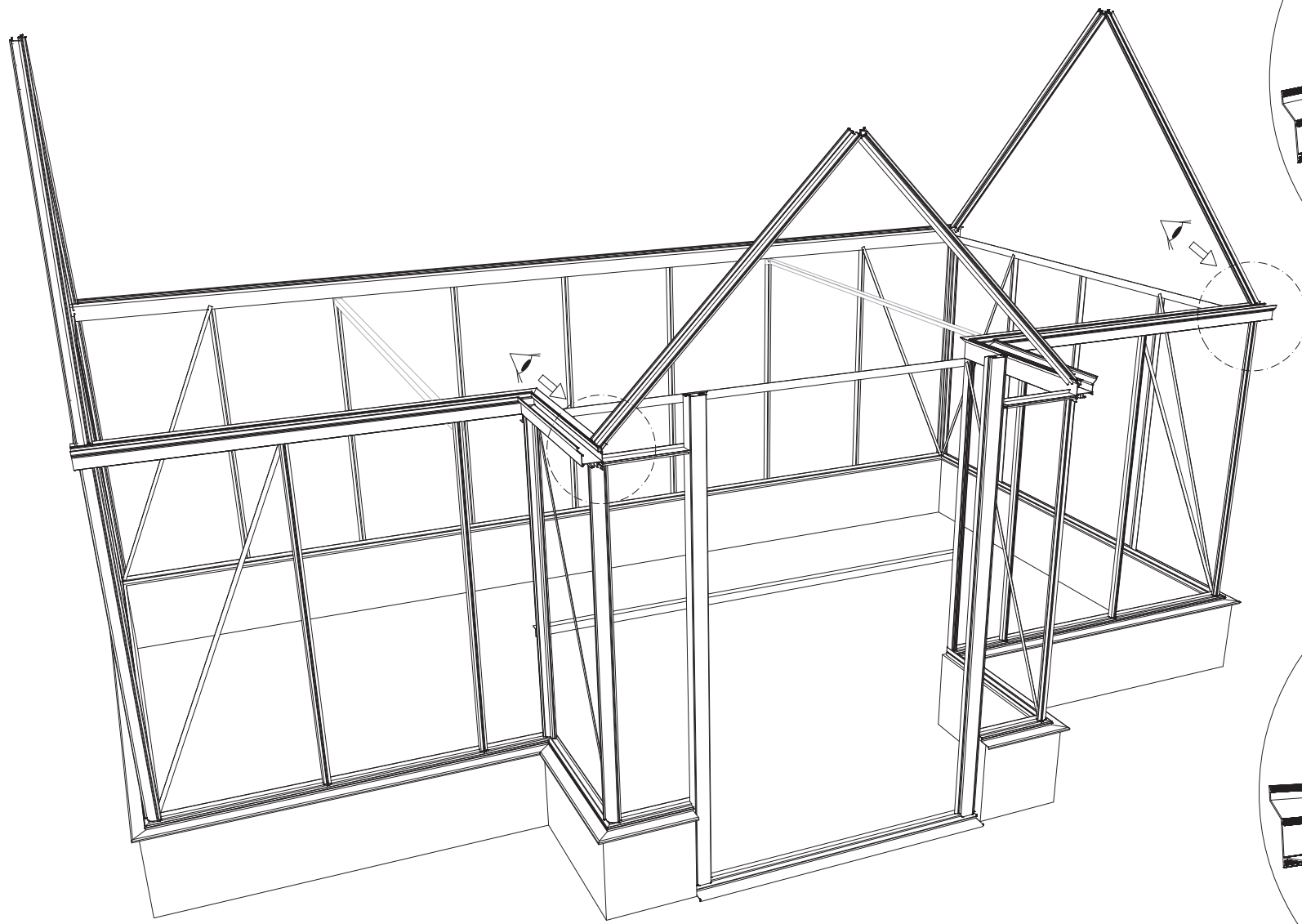


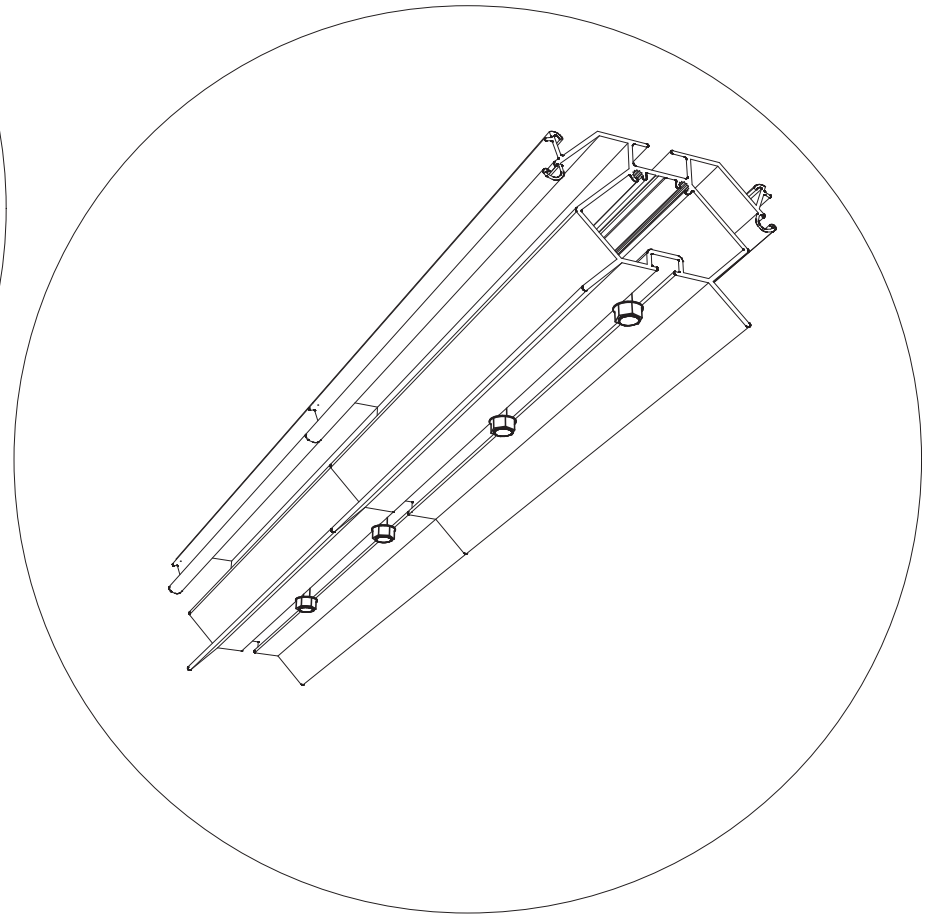
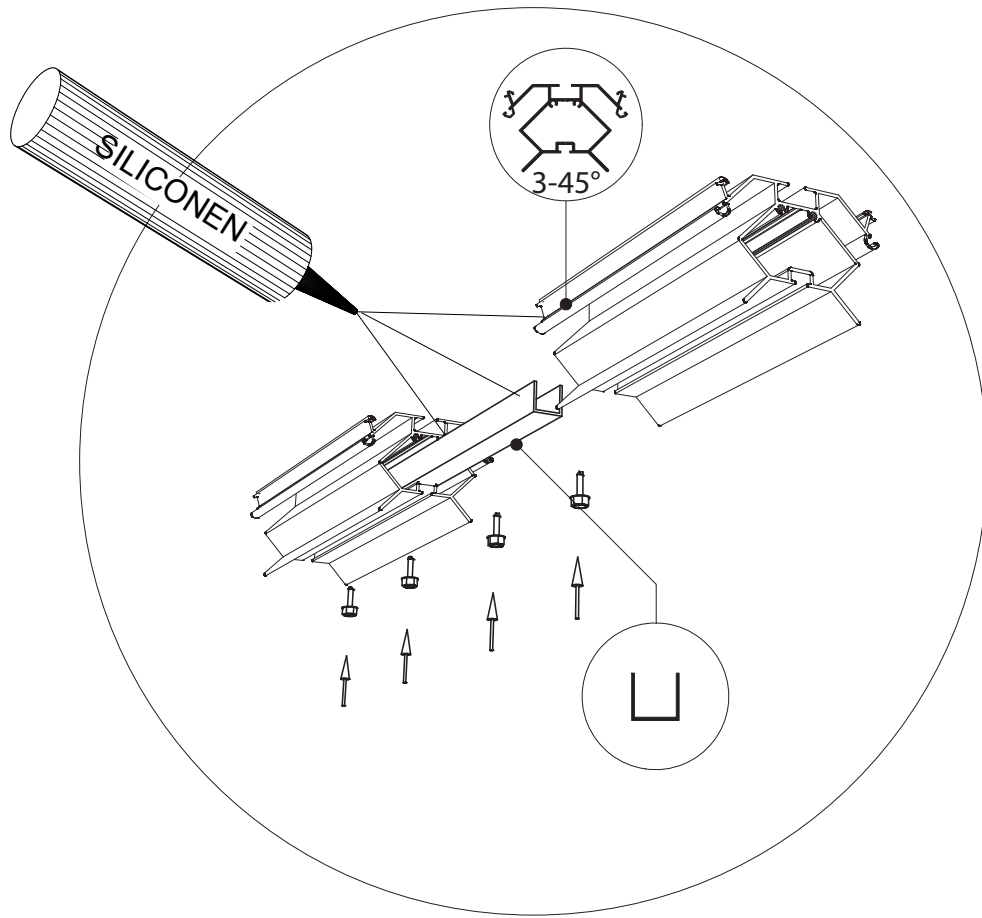


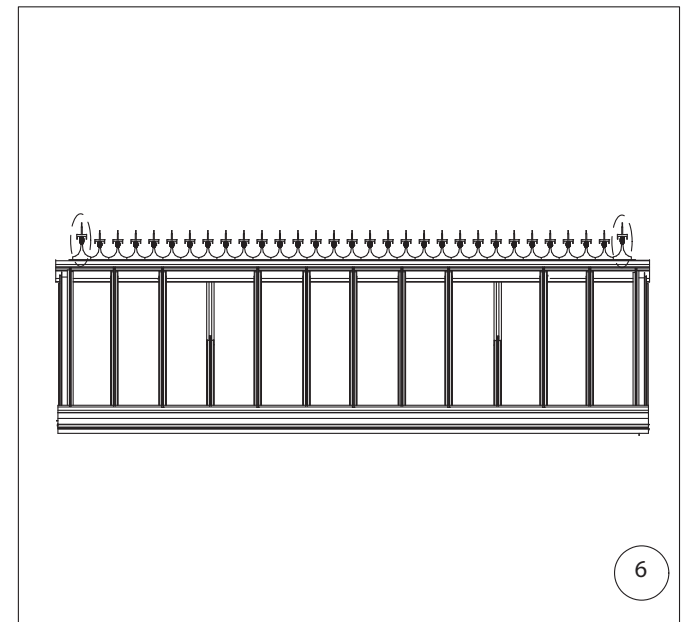
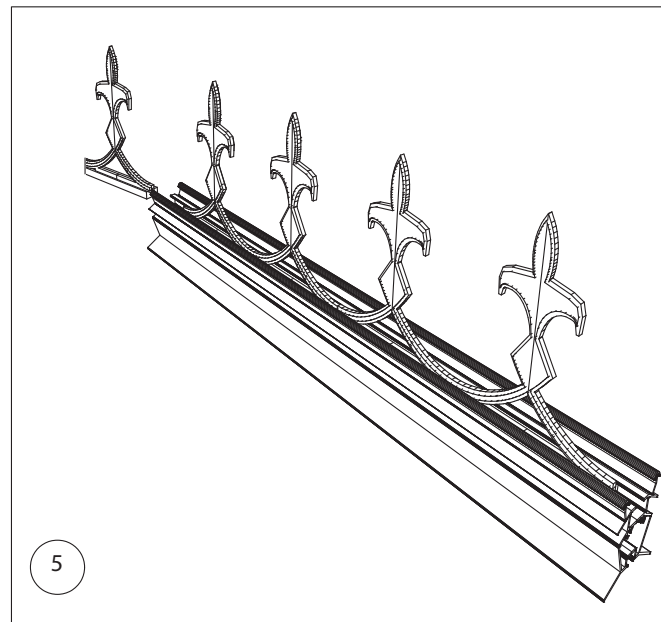
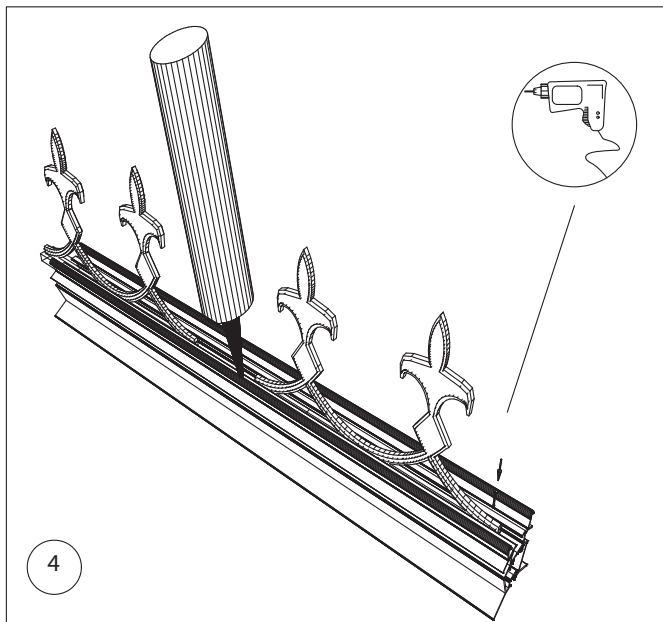
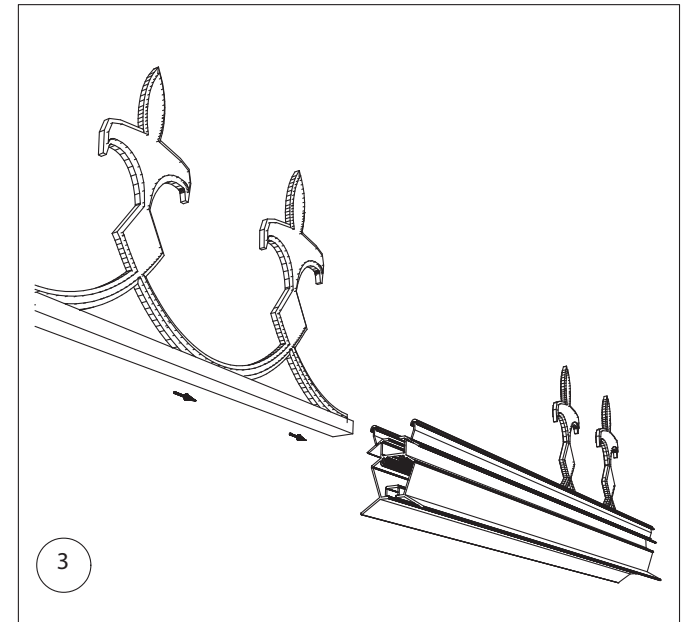
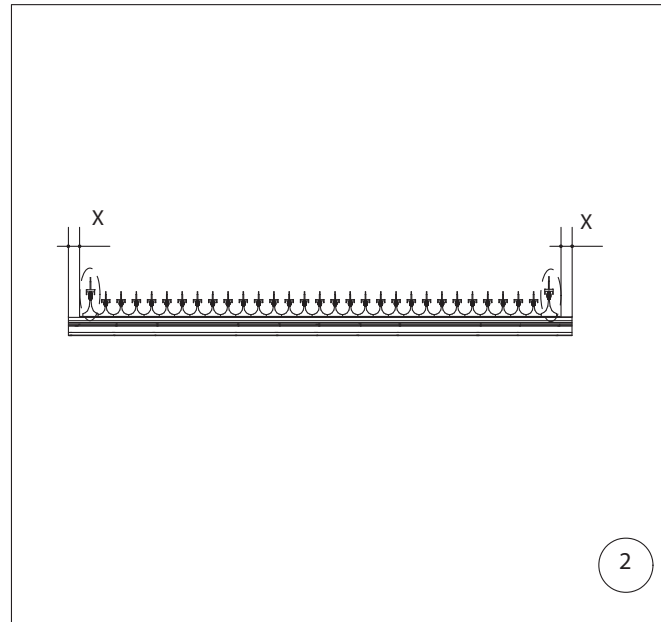
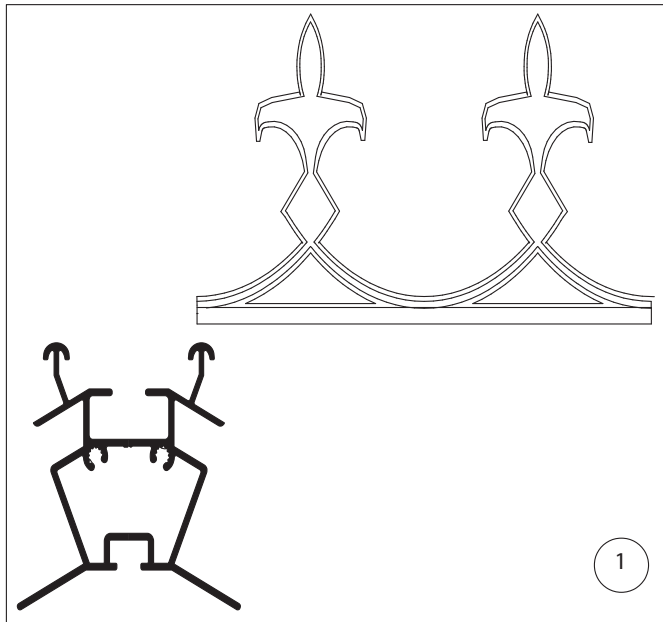


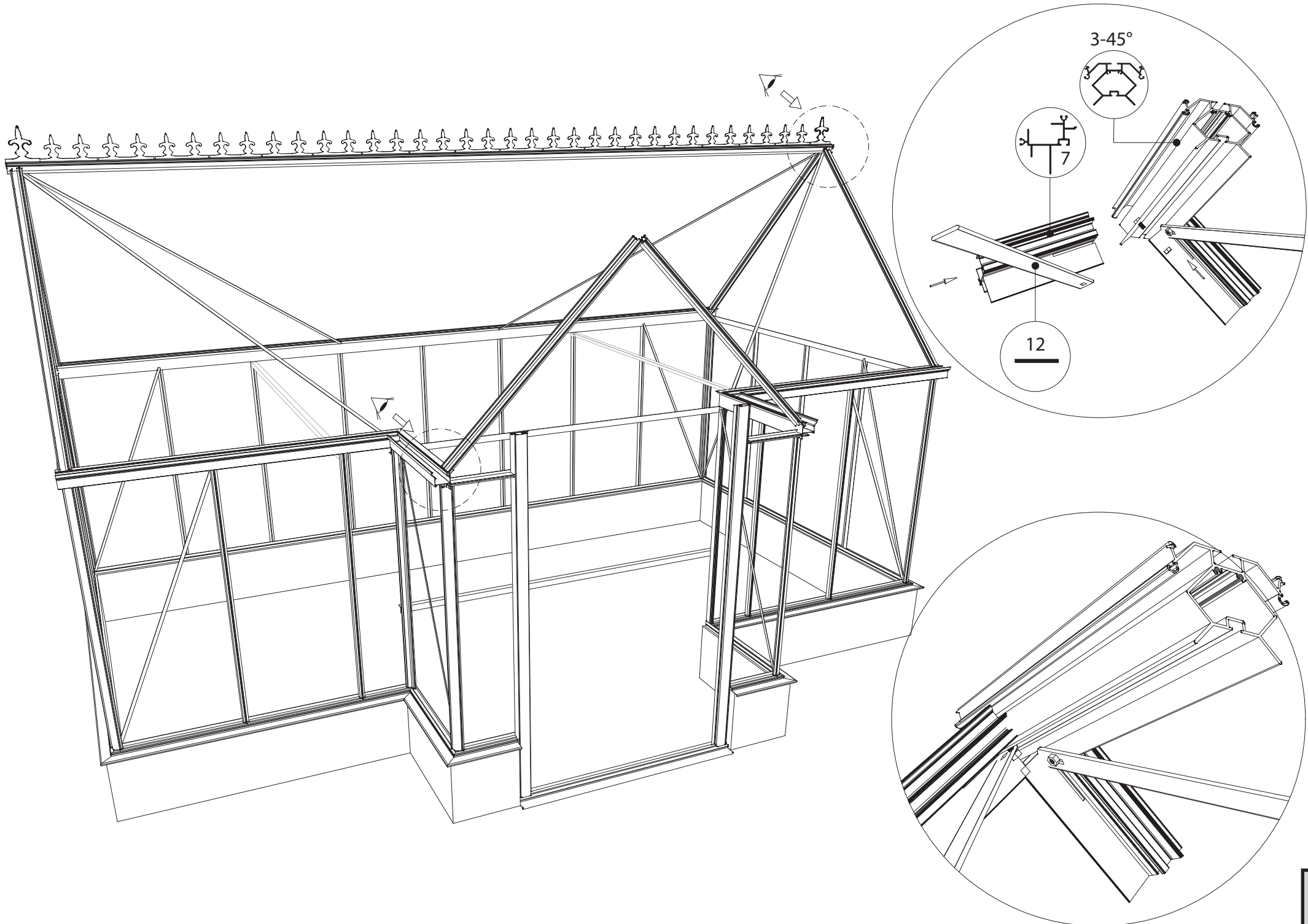


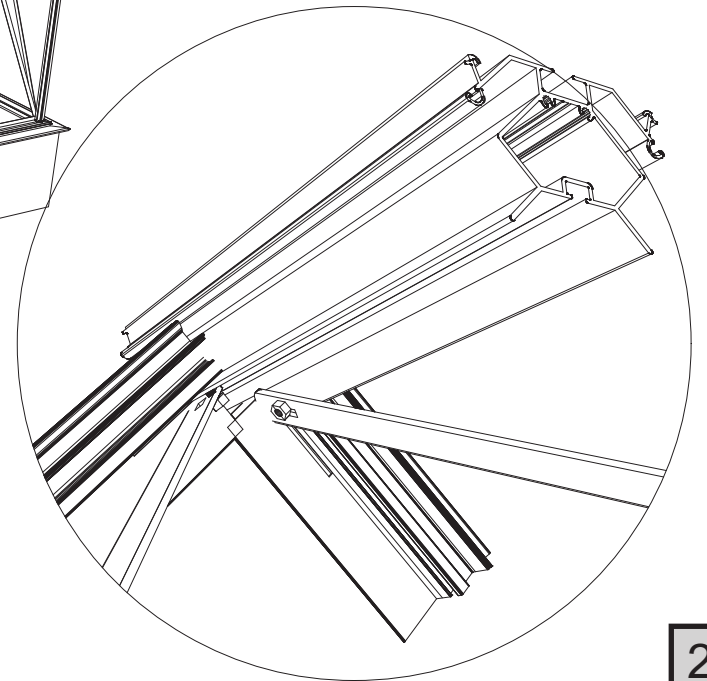
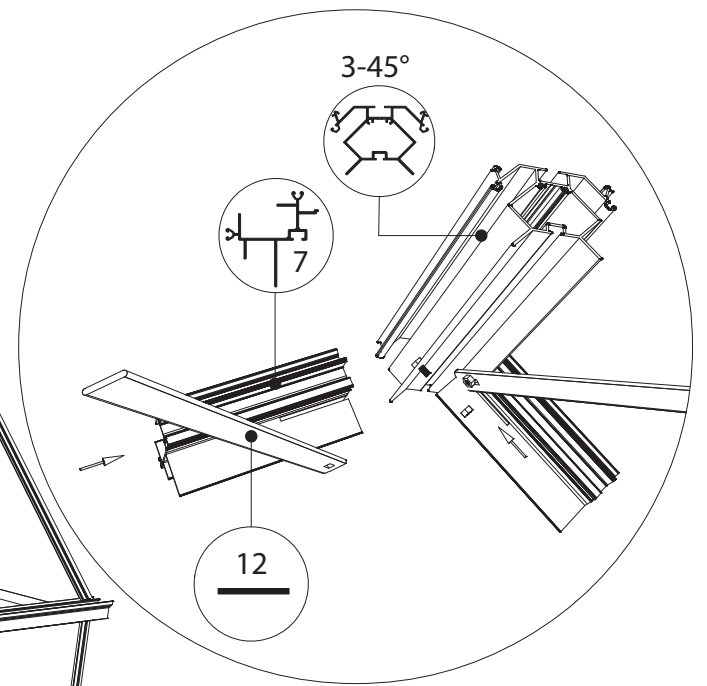
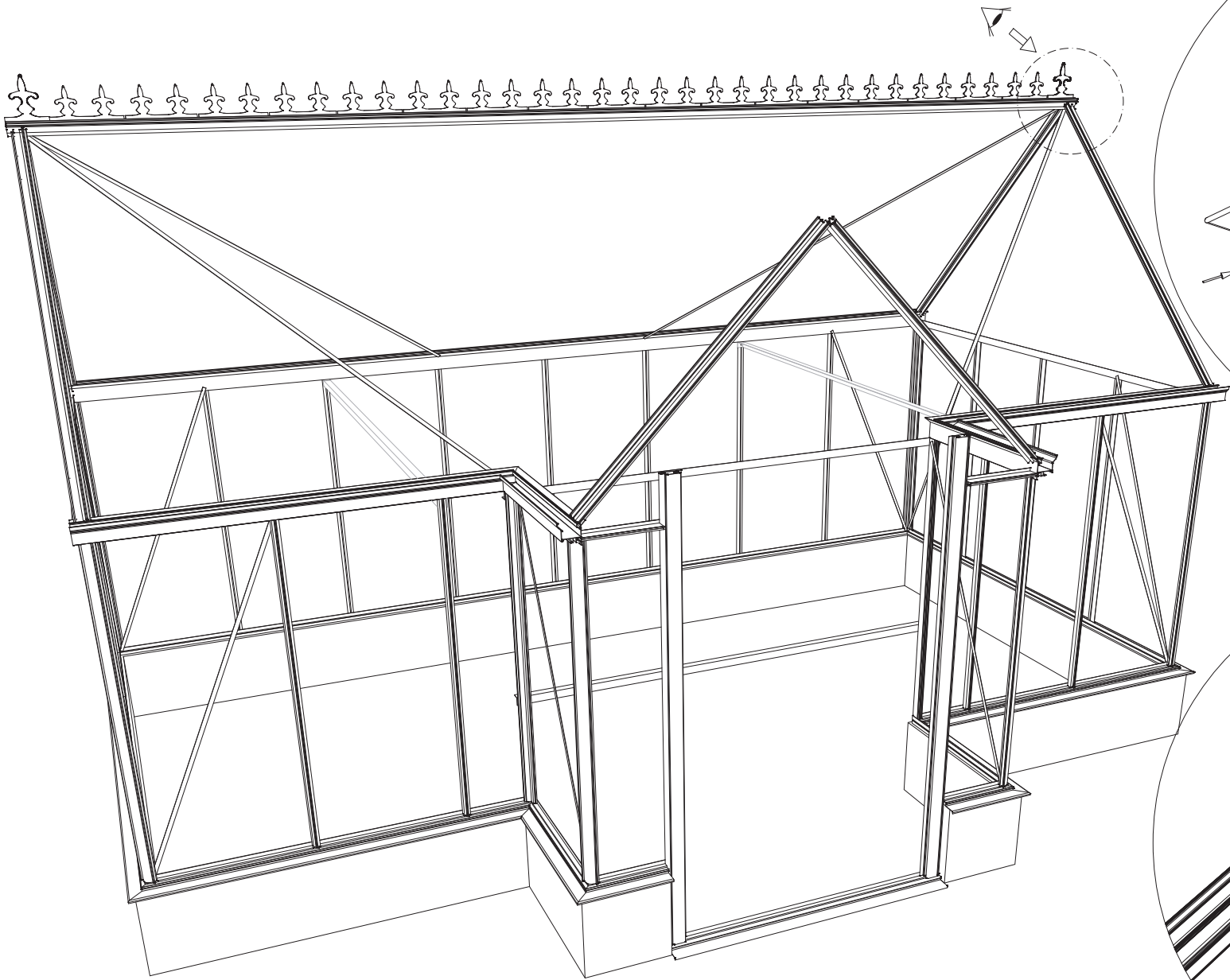


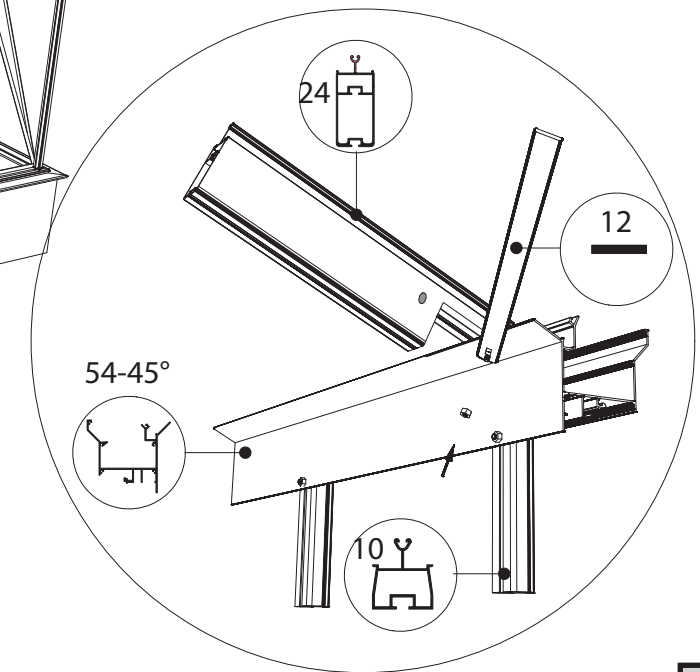
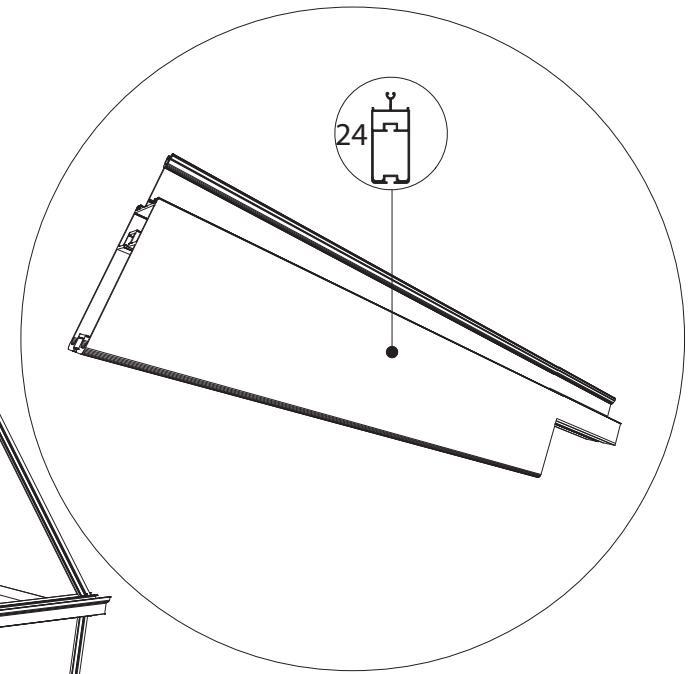
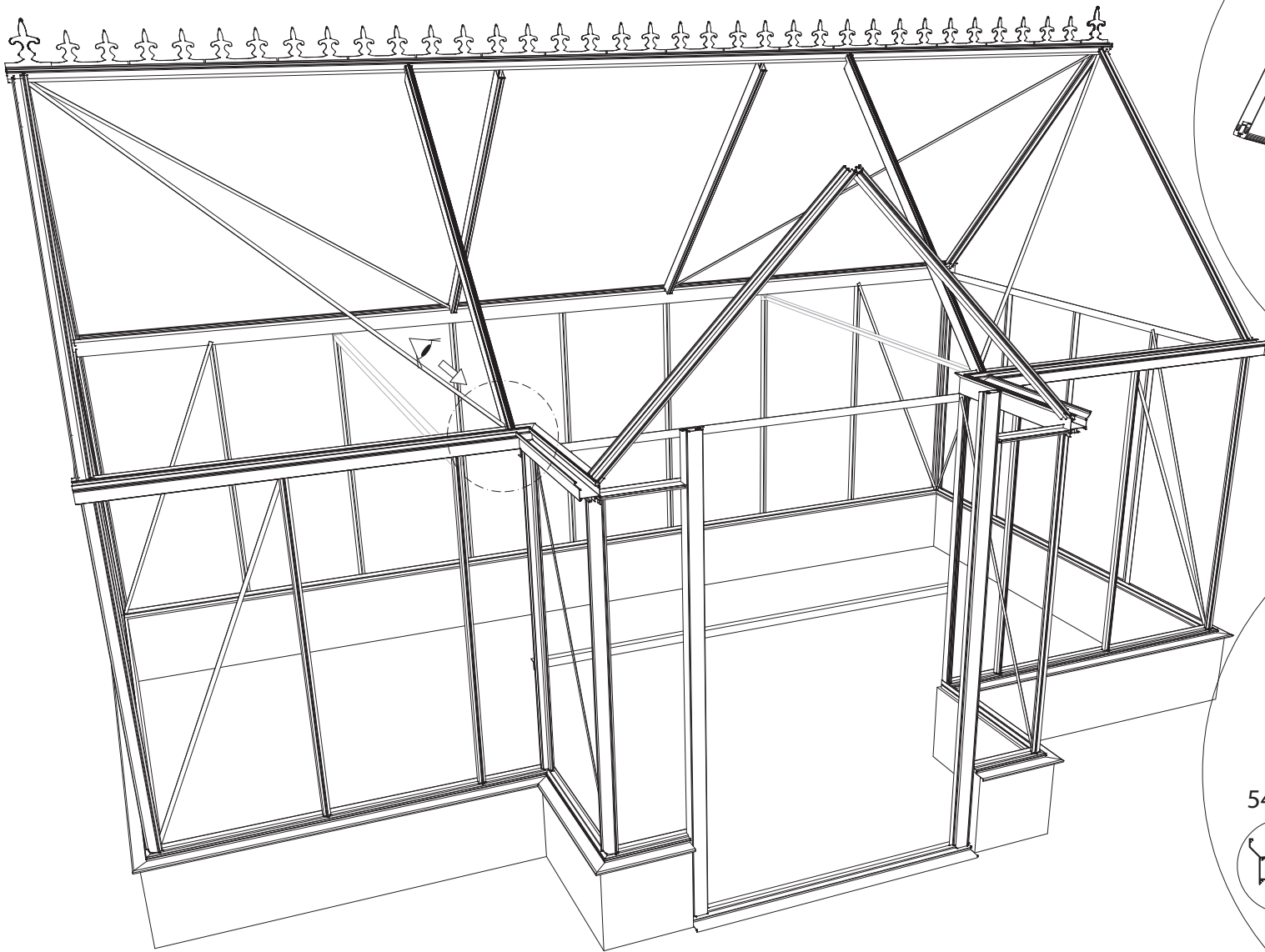


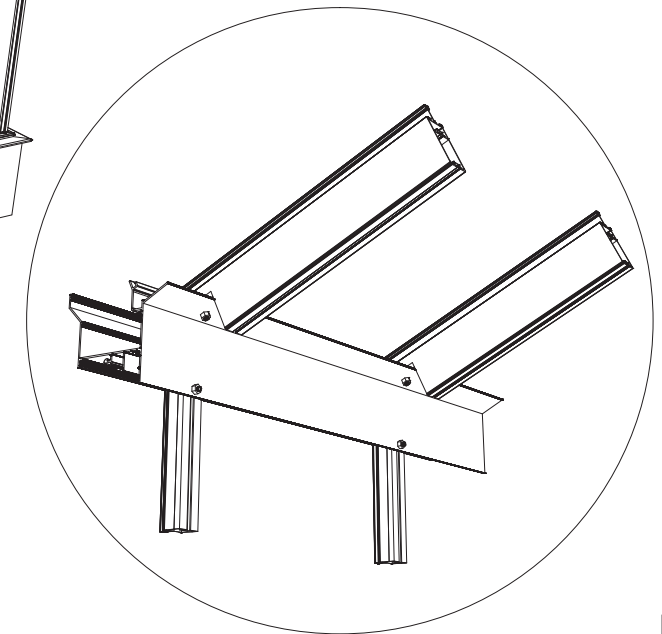
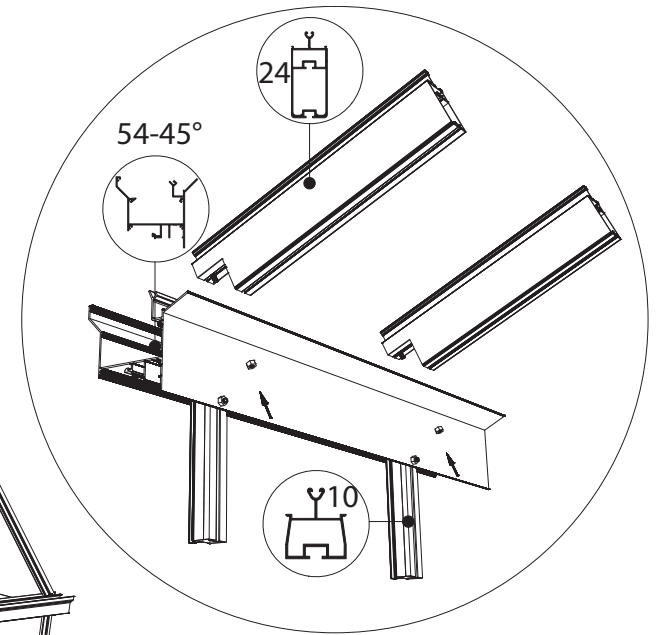
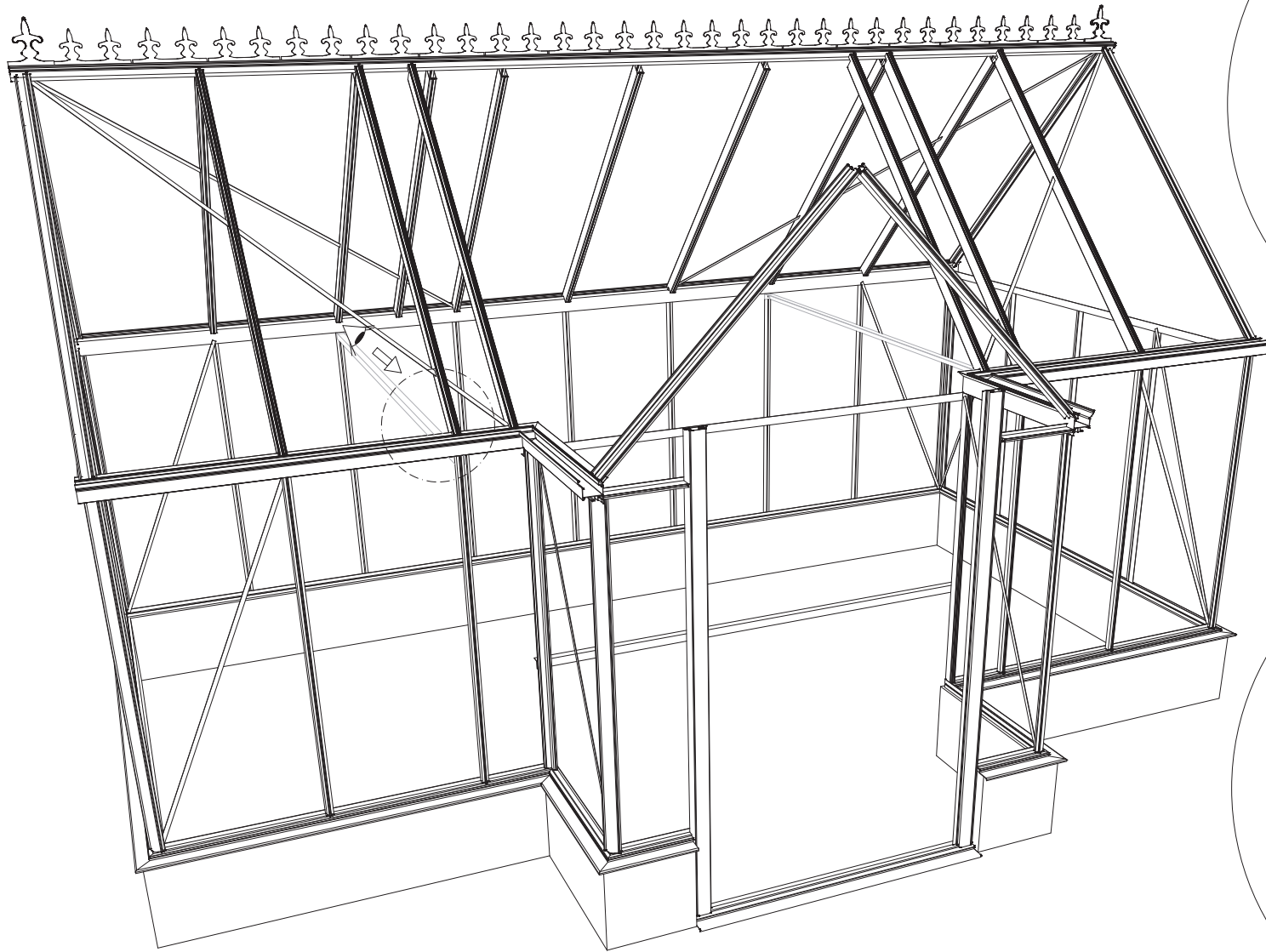


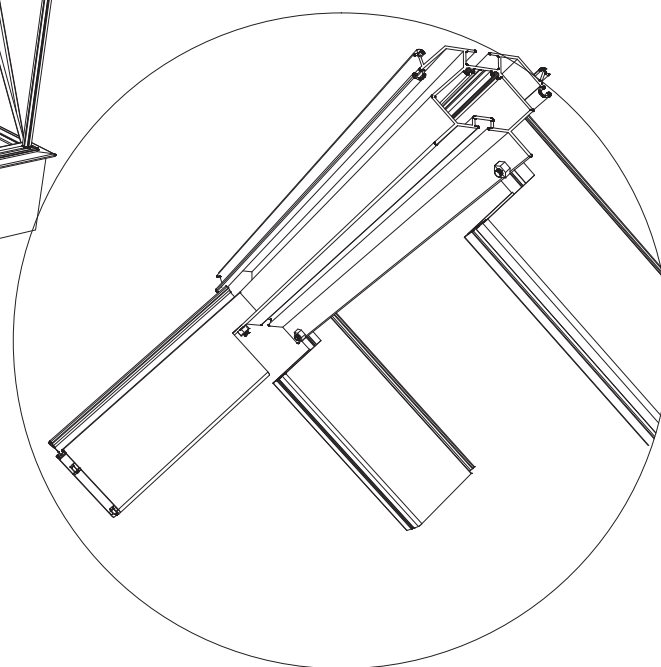
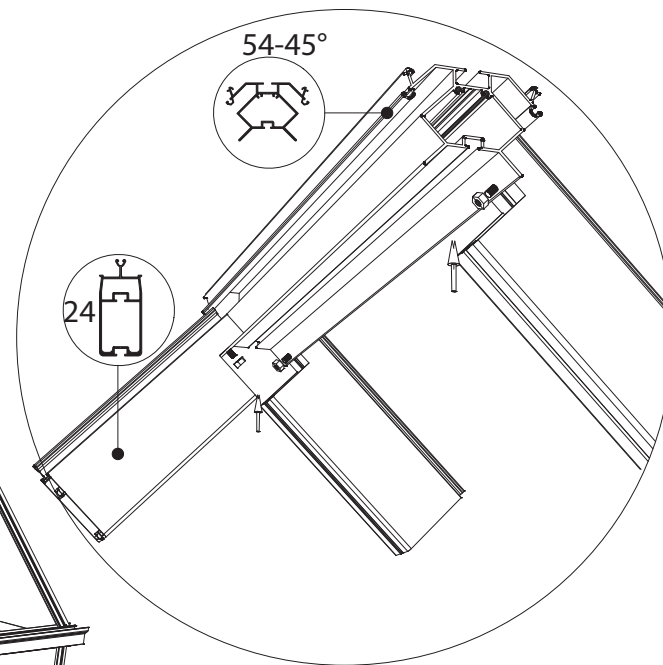
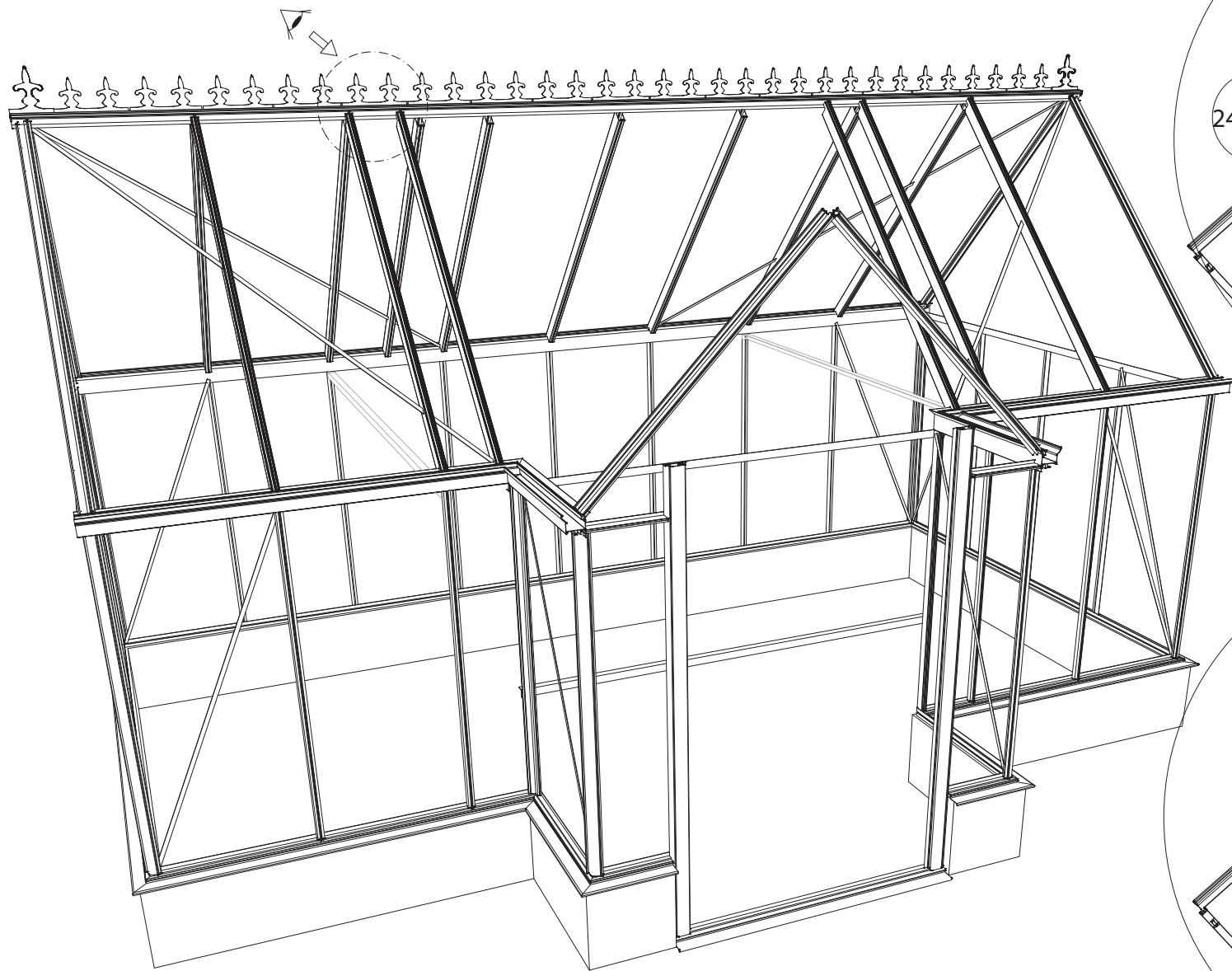


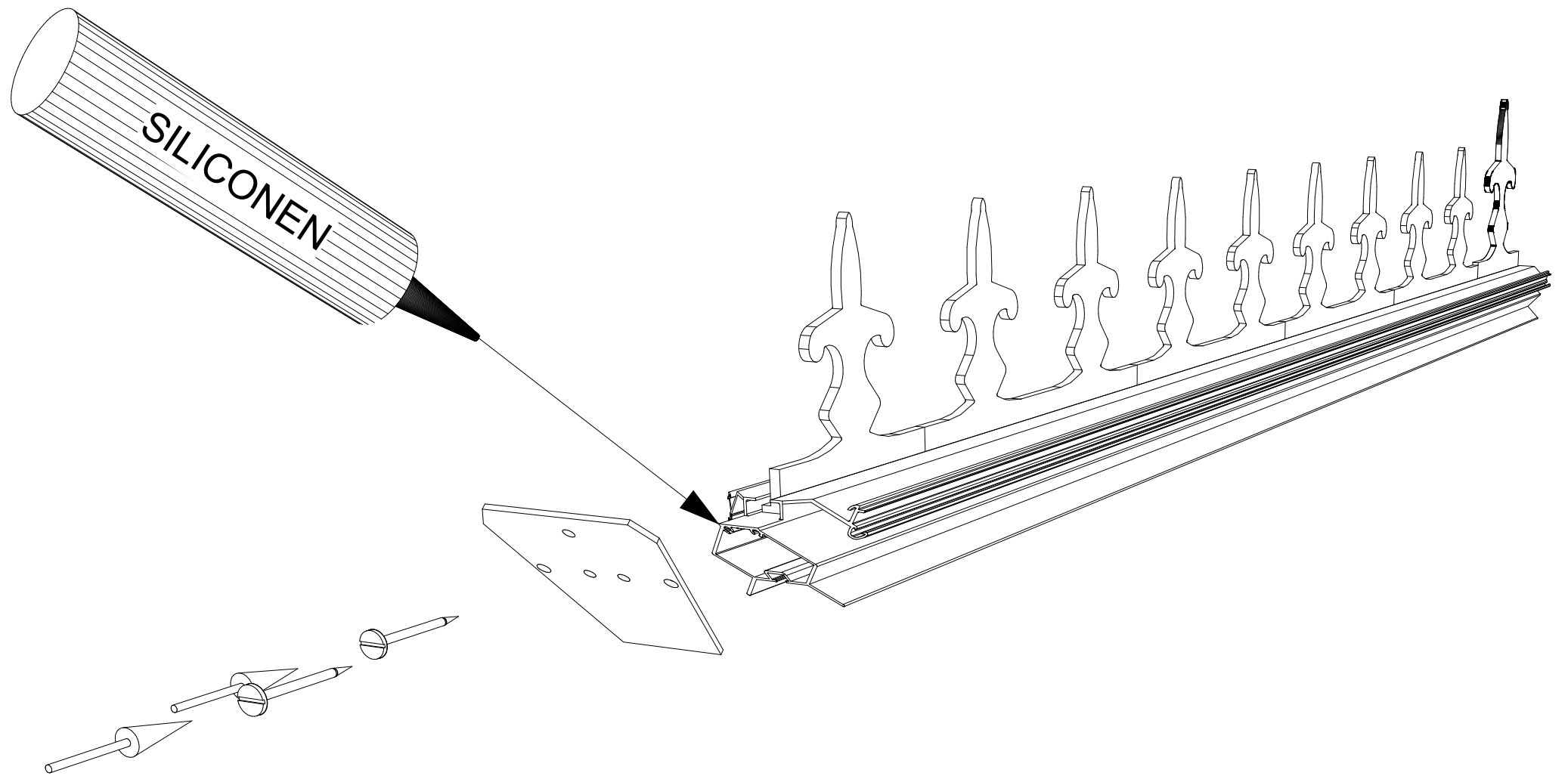


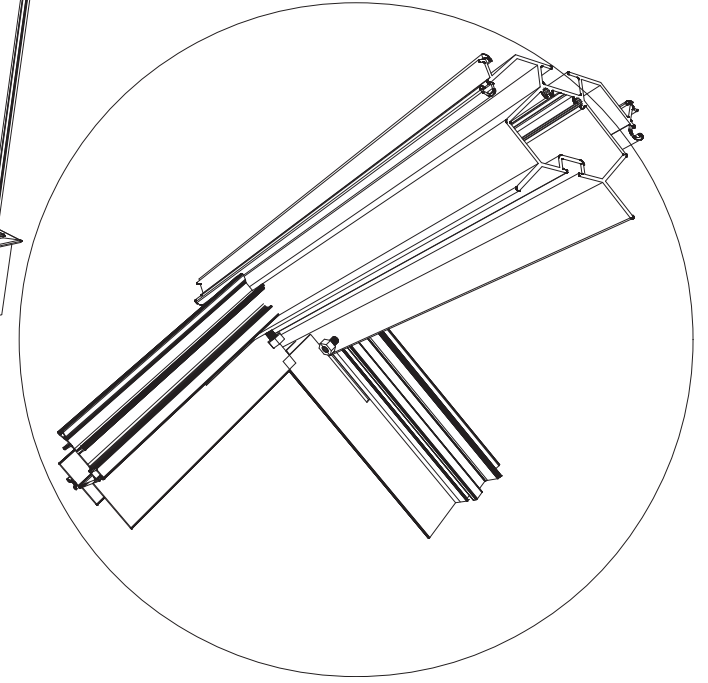
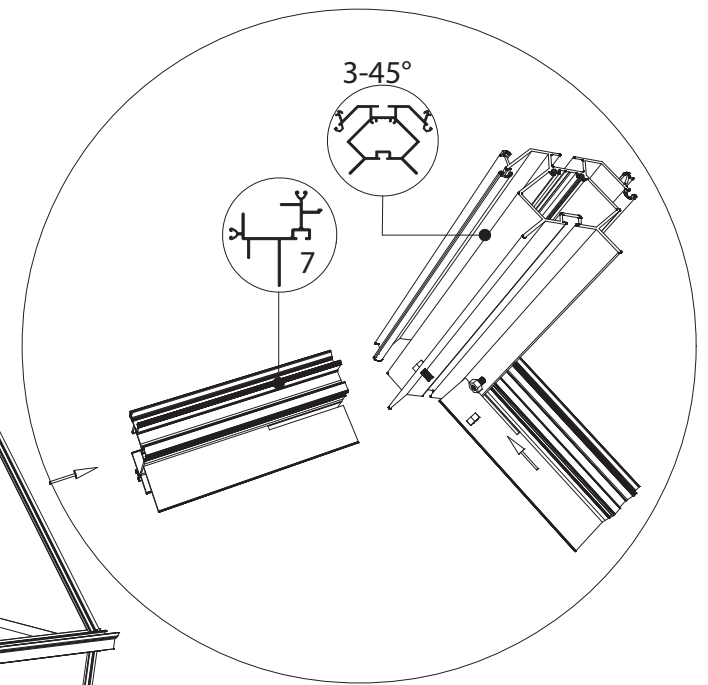
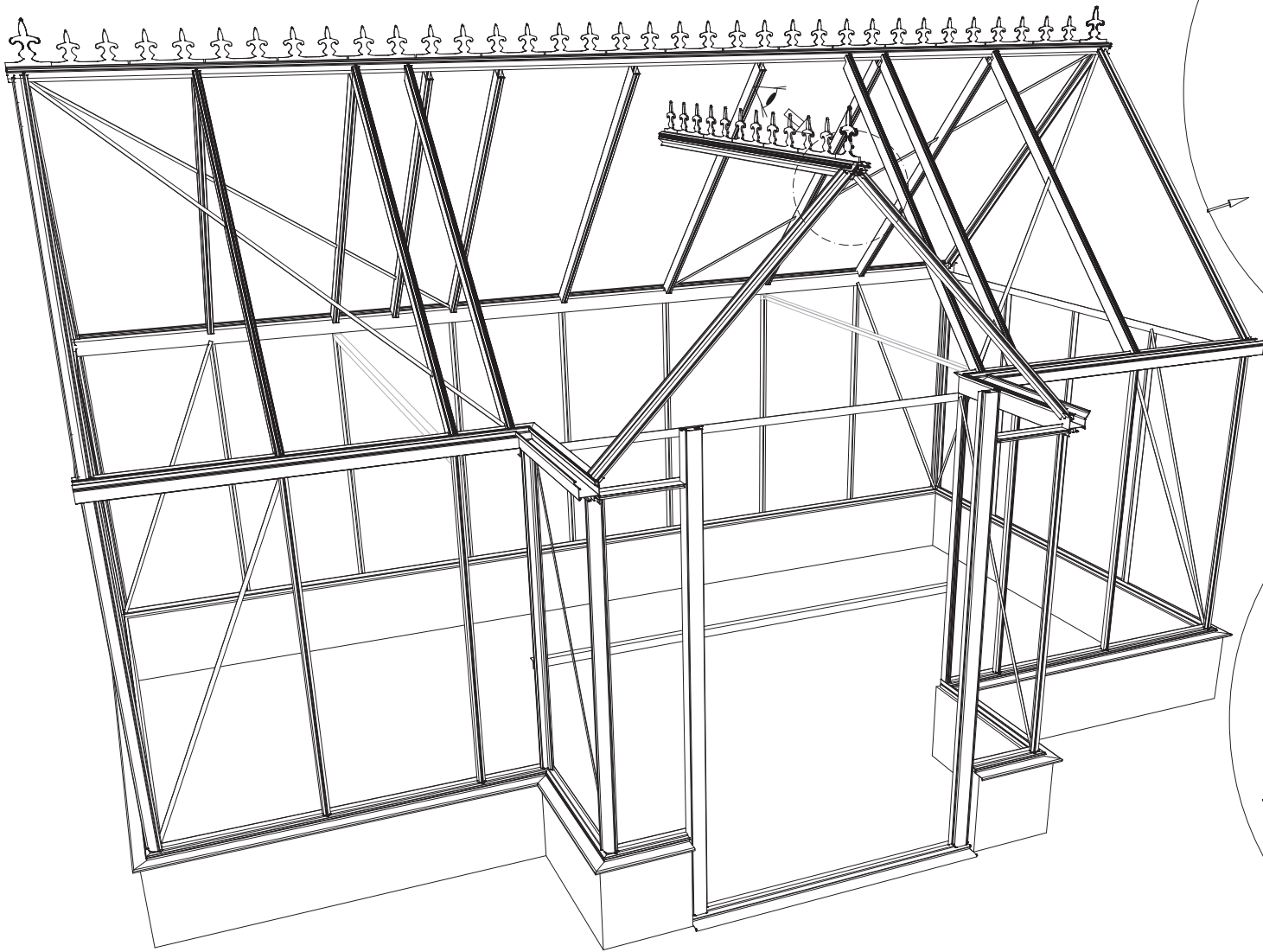


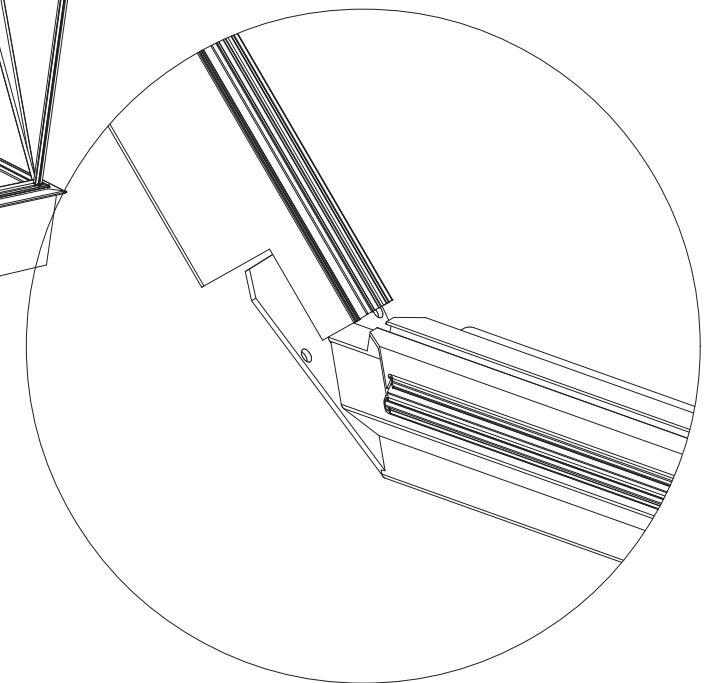
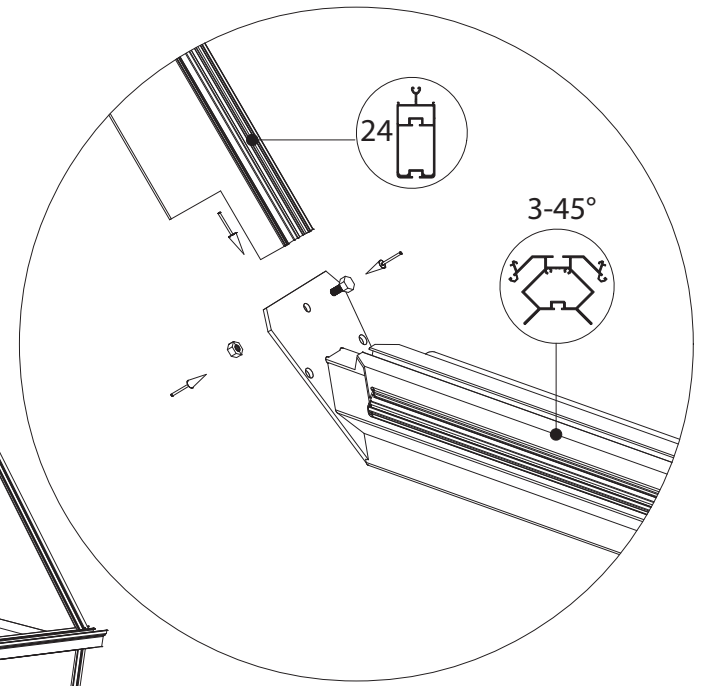
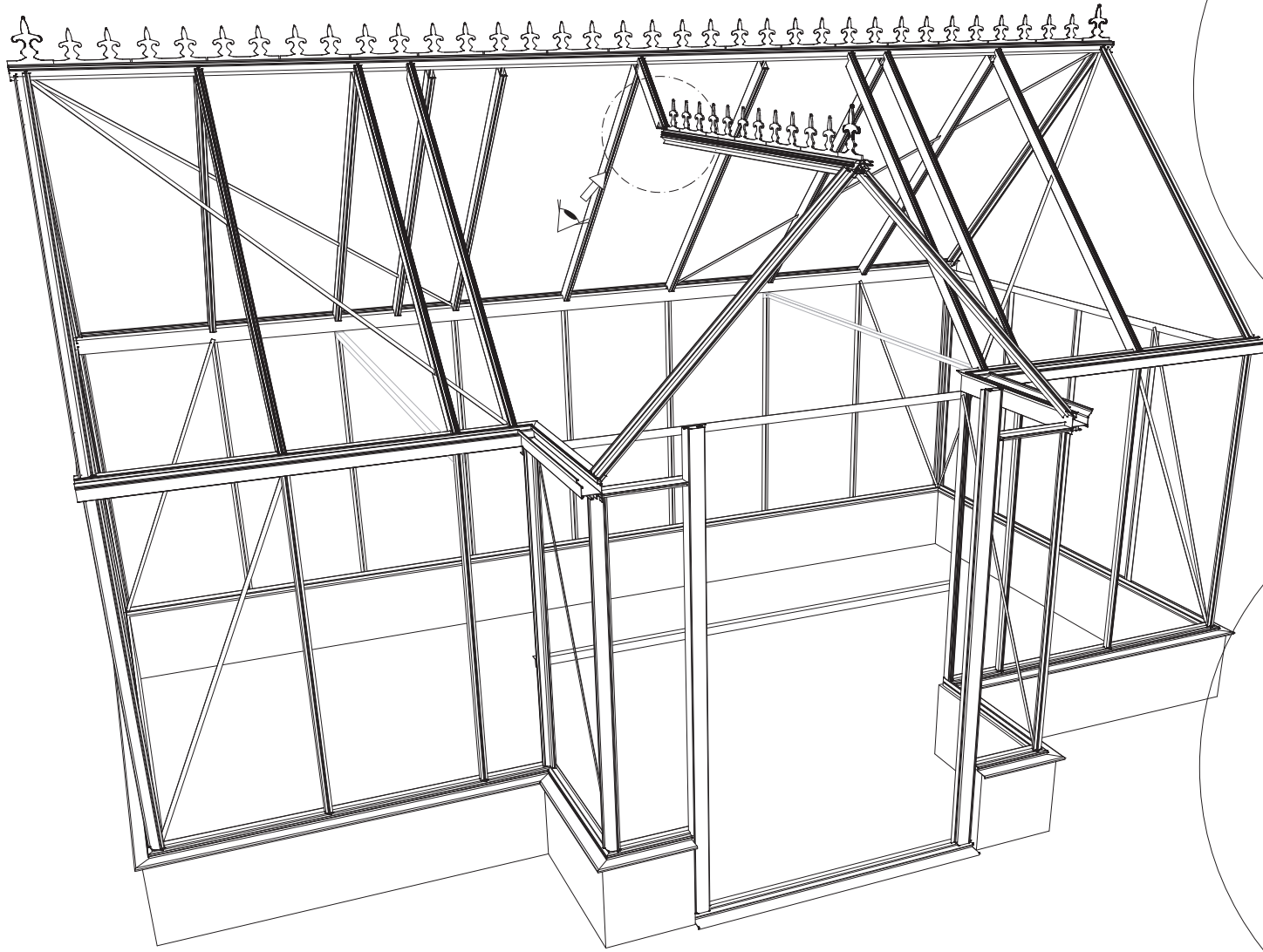


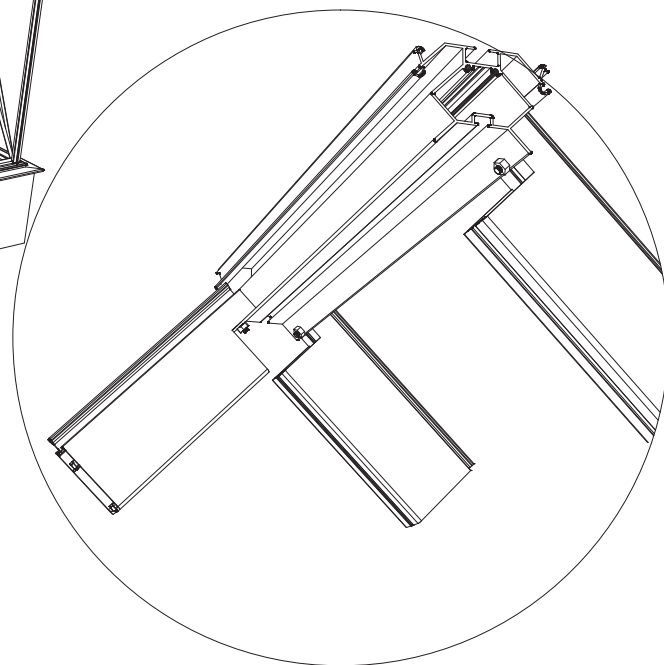
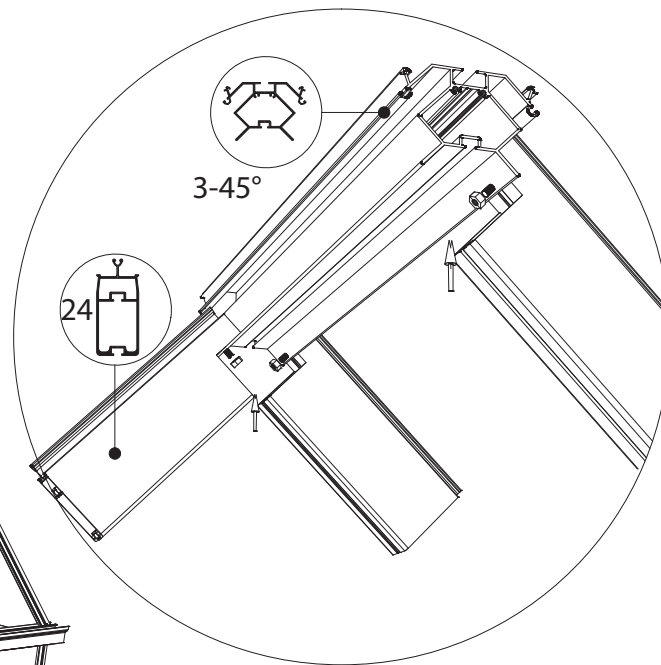
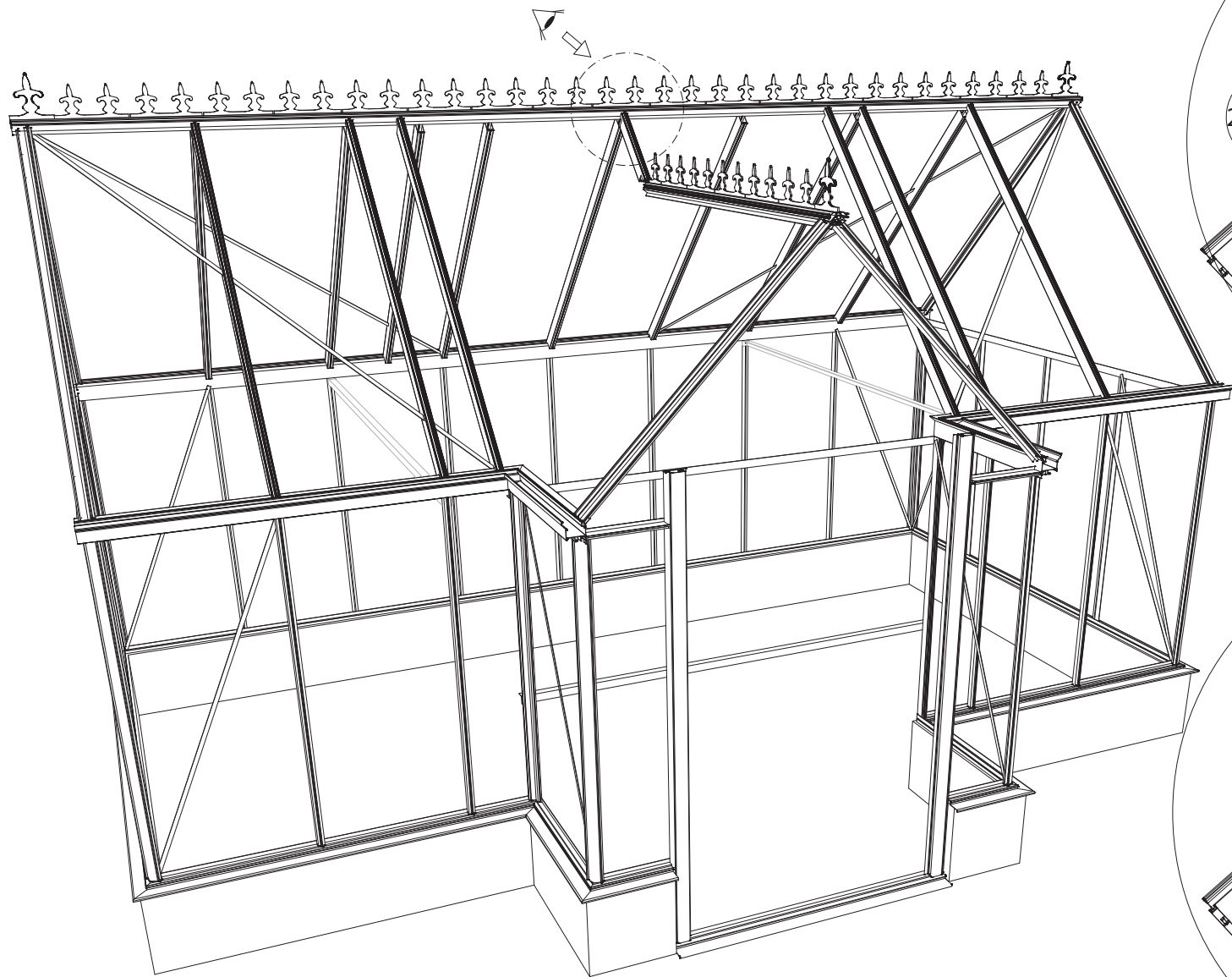


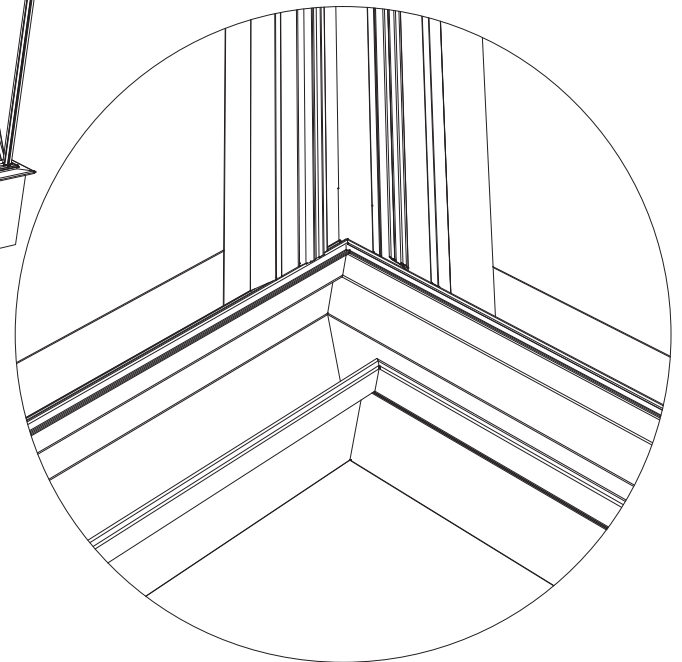
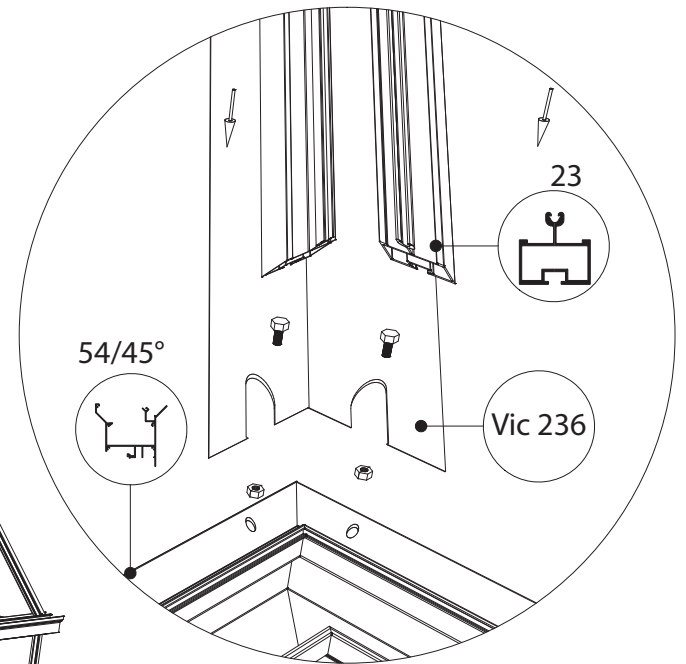
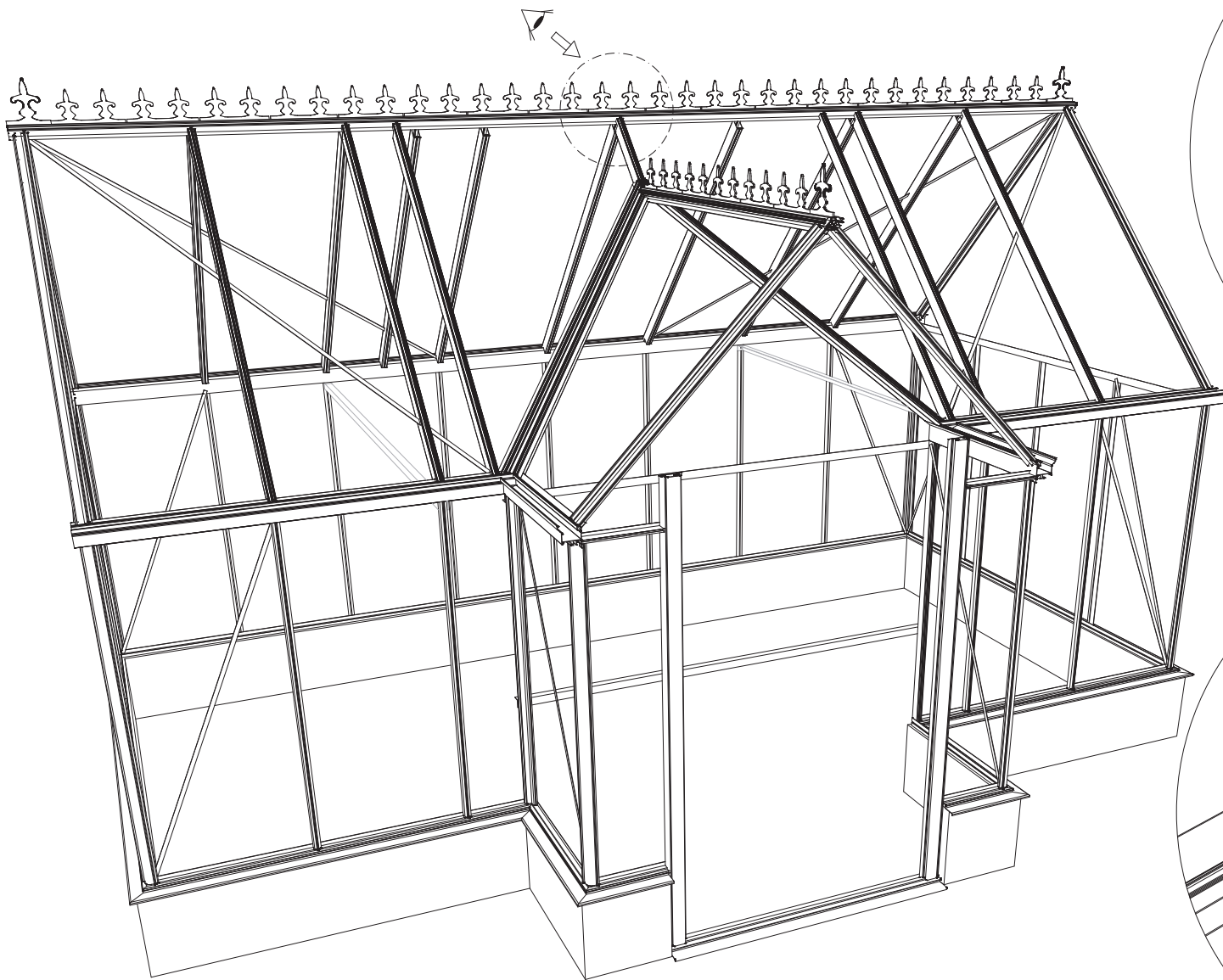


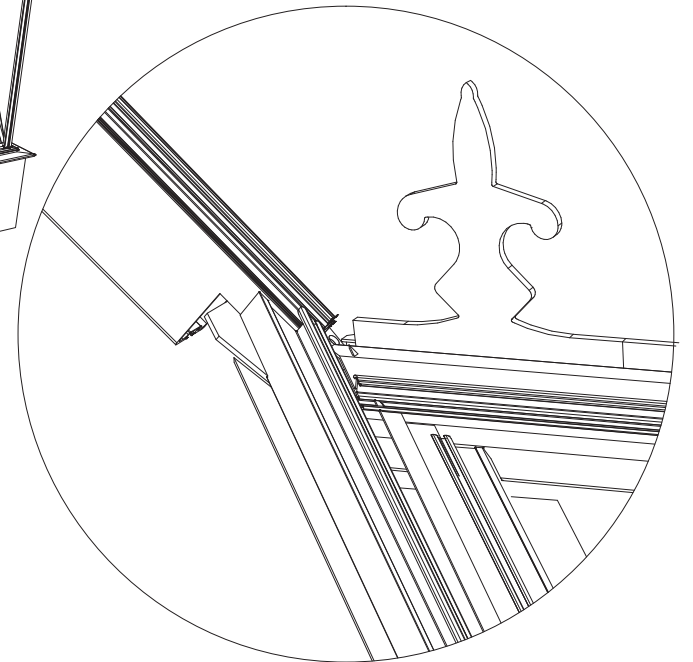
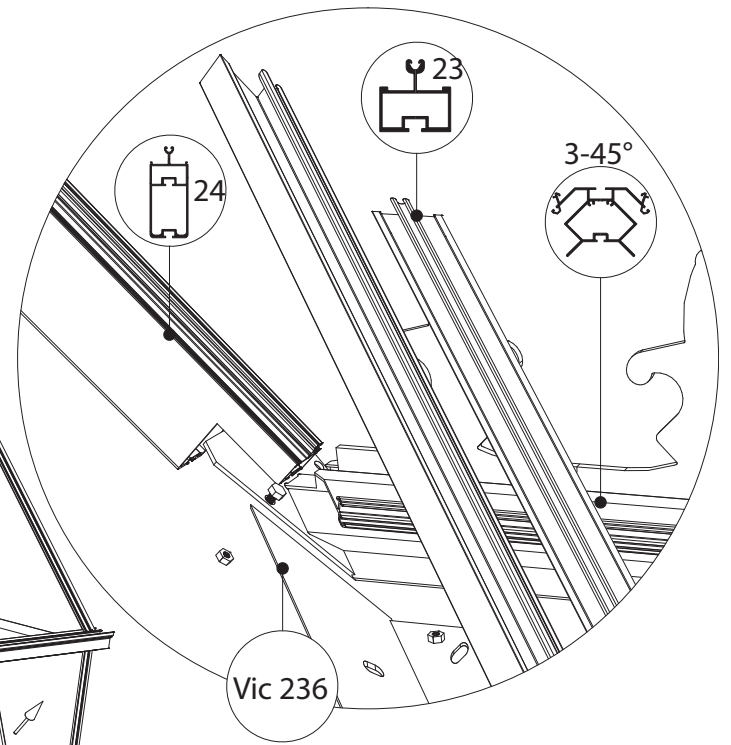
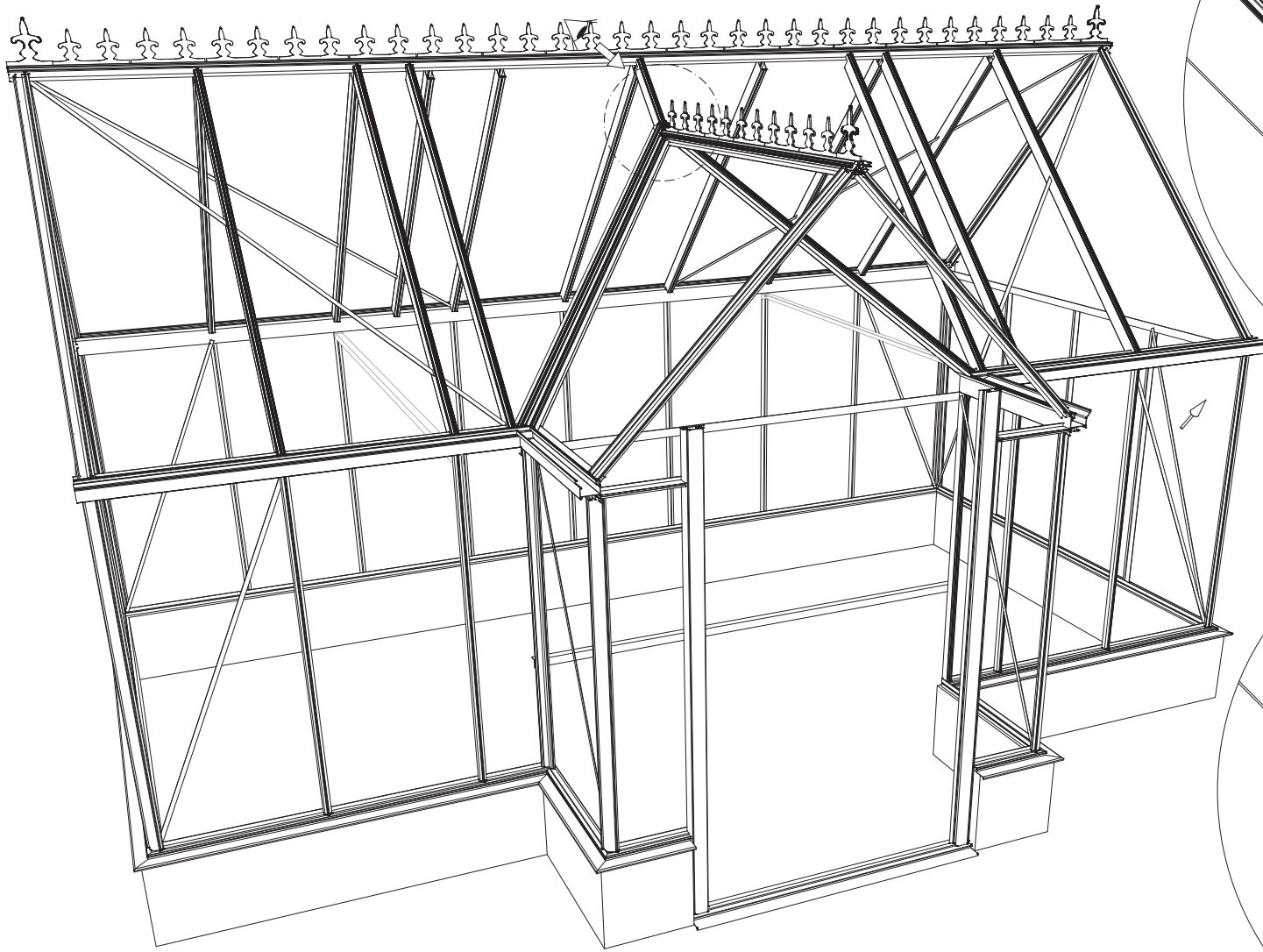


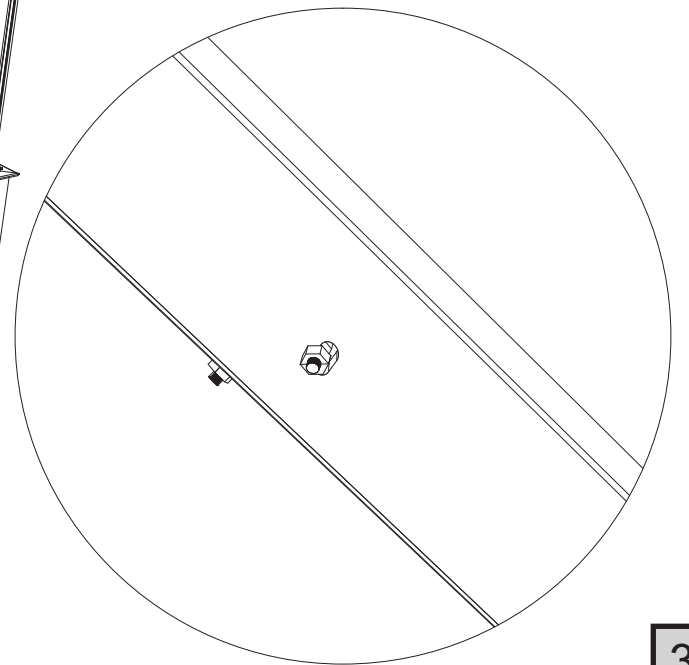
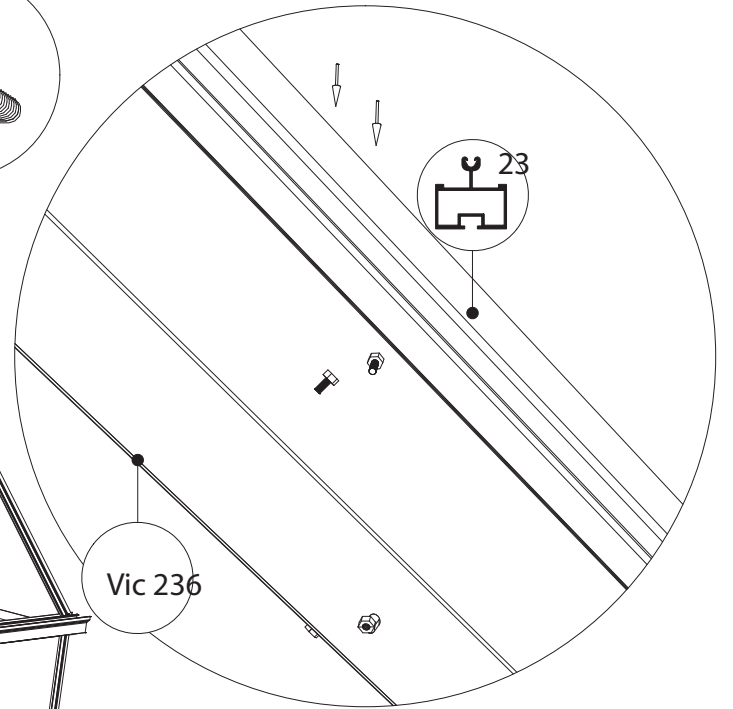
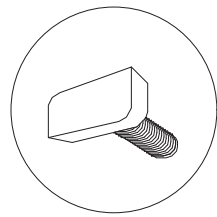
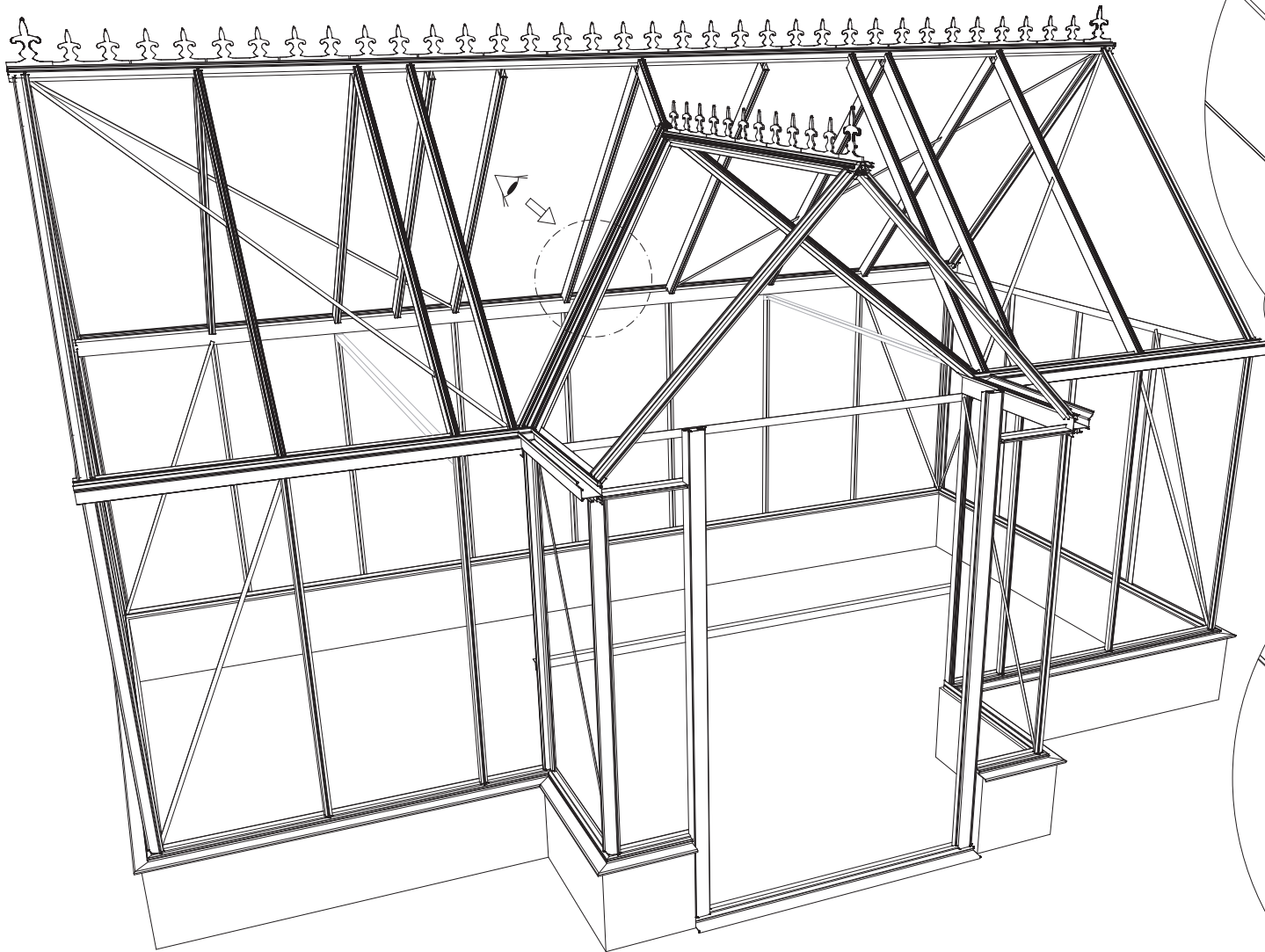


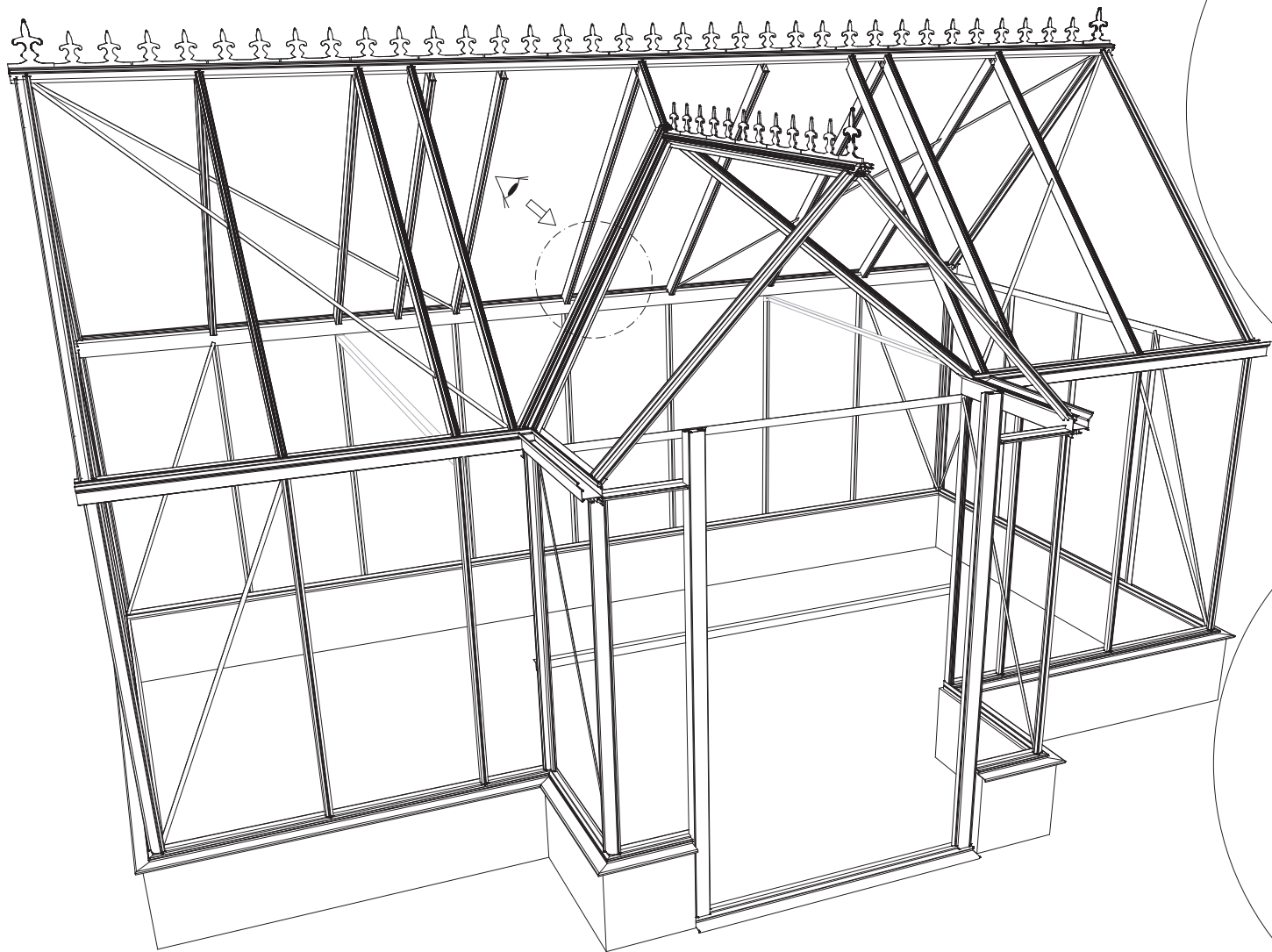




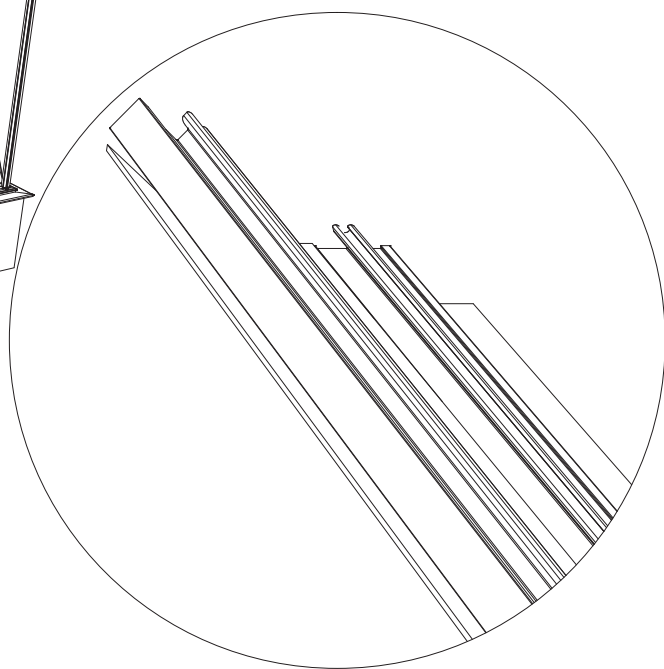
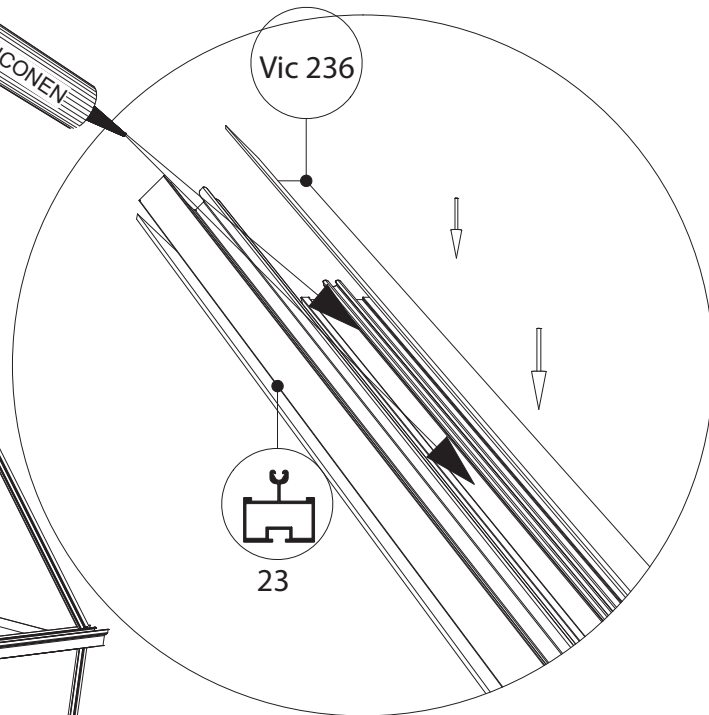


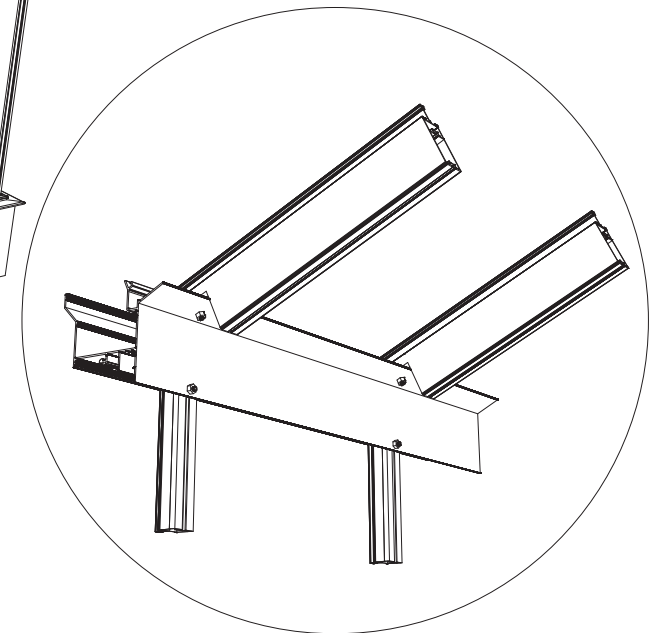
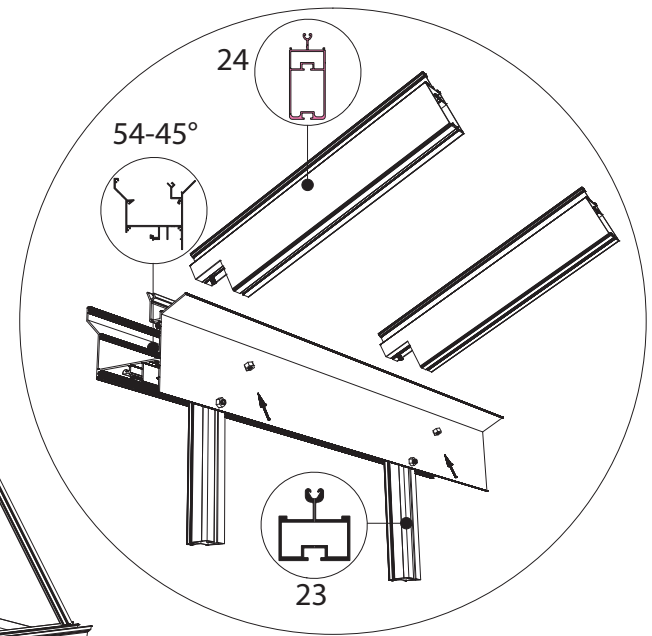
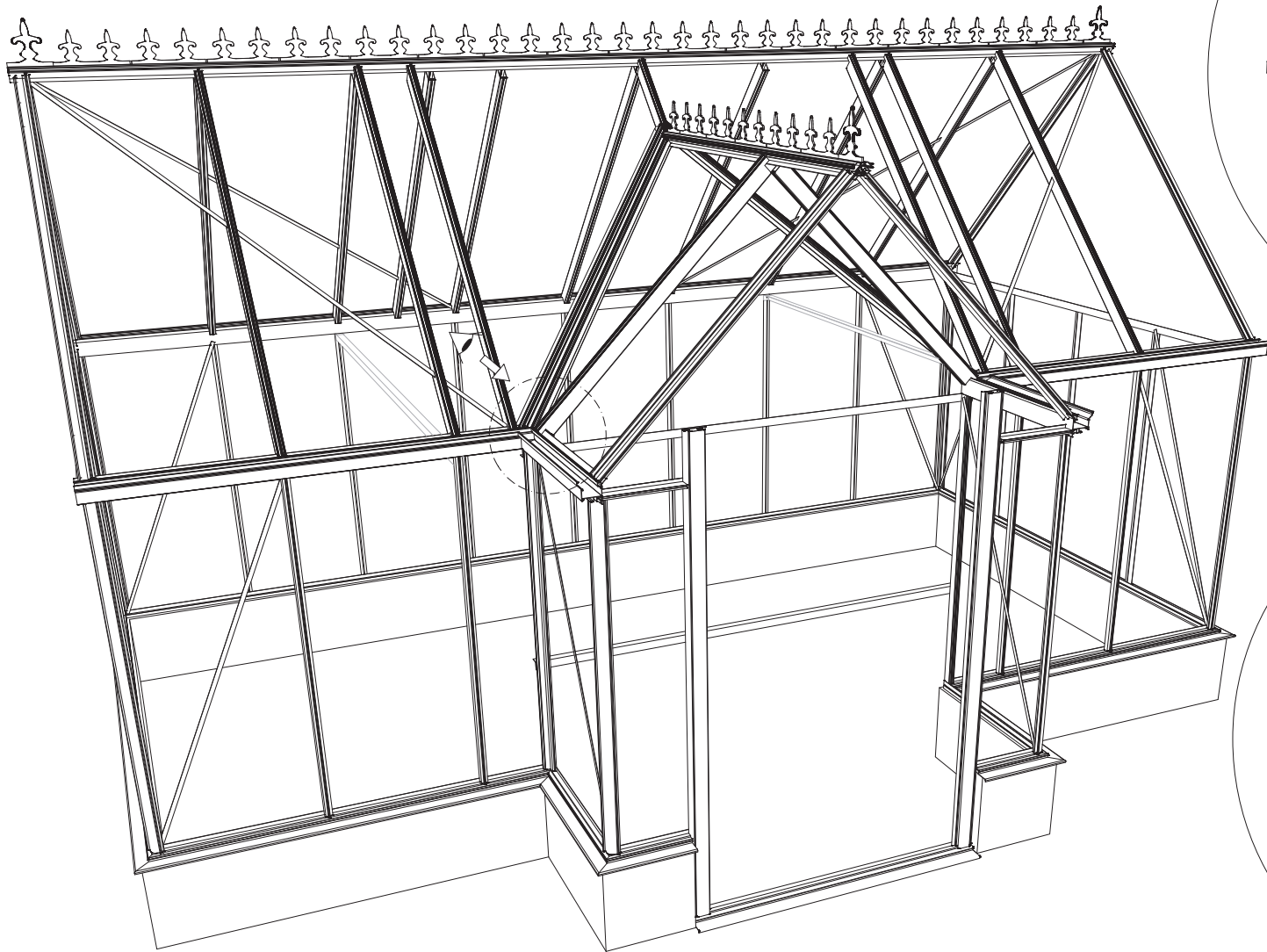


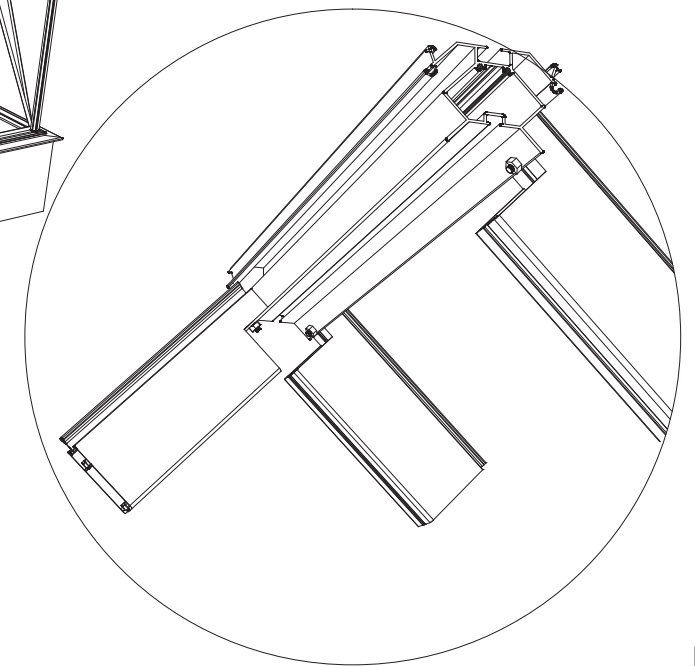
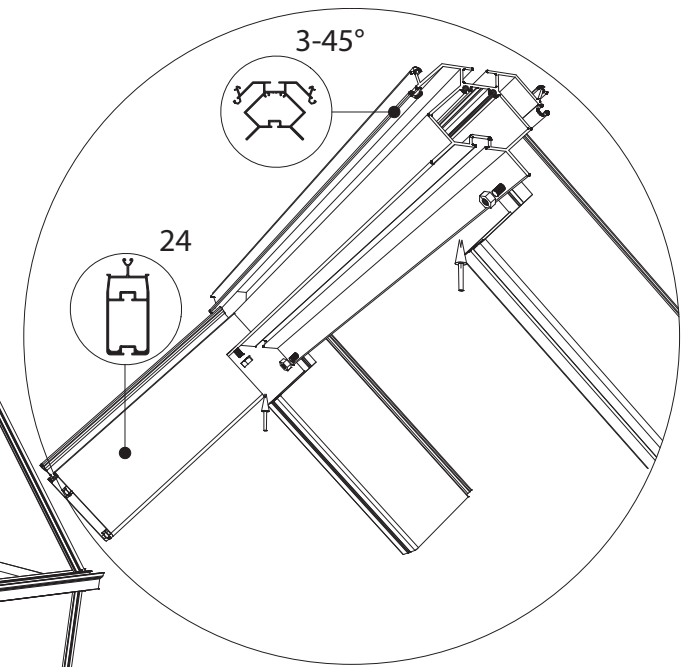
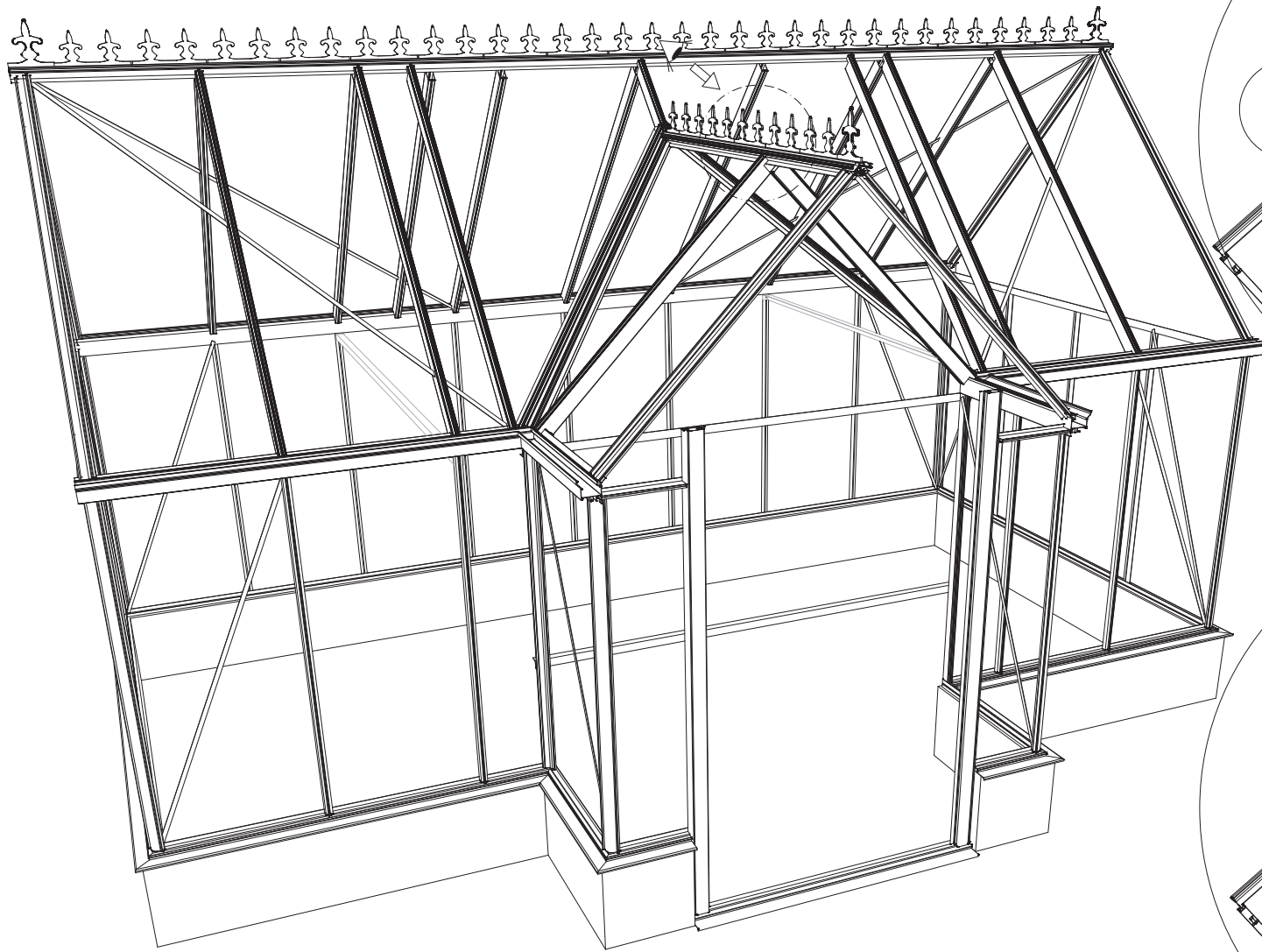


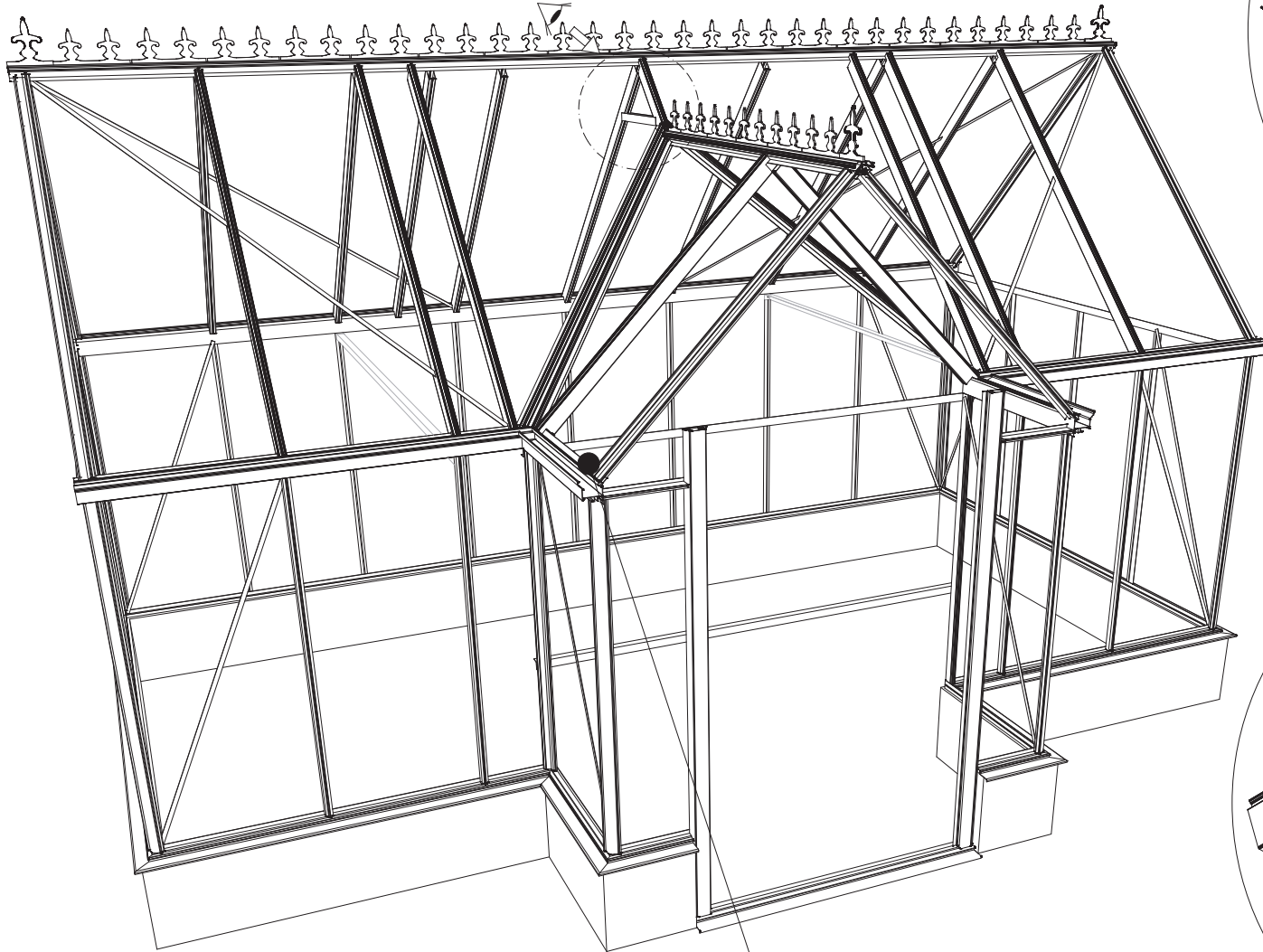


SILICONEN

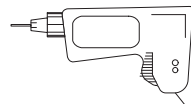






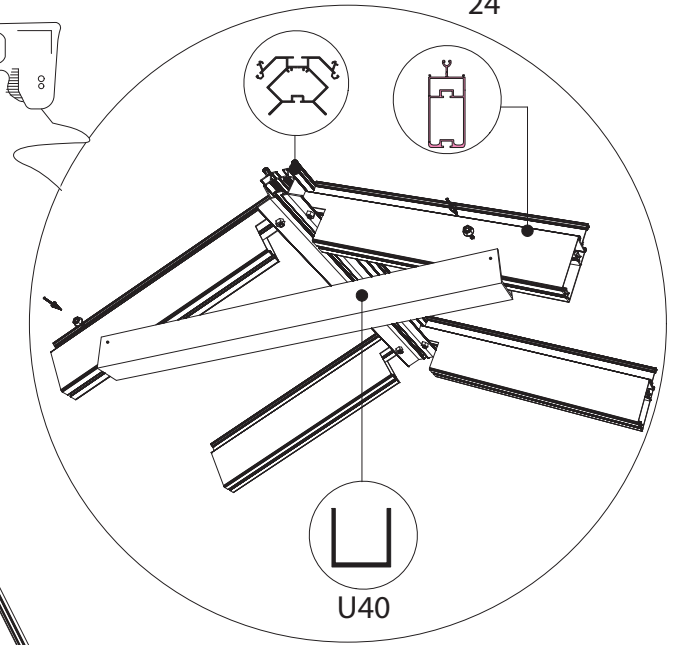


∅ = 4mm

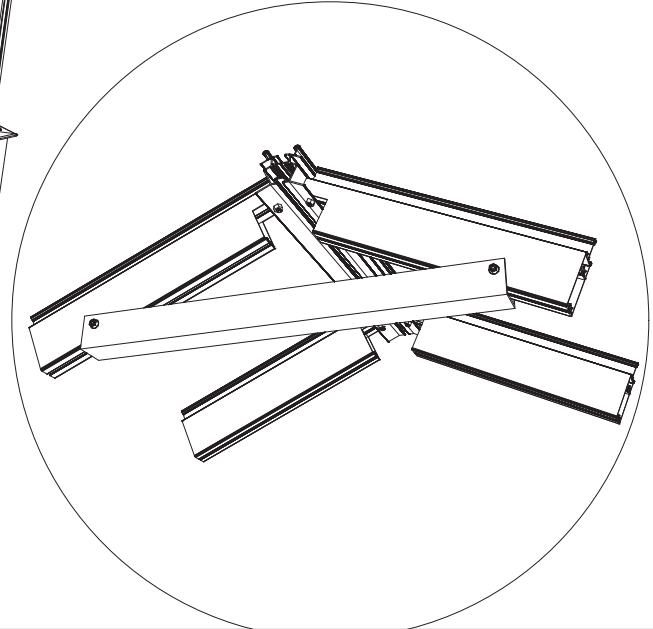


3-45°

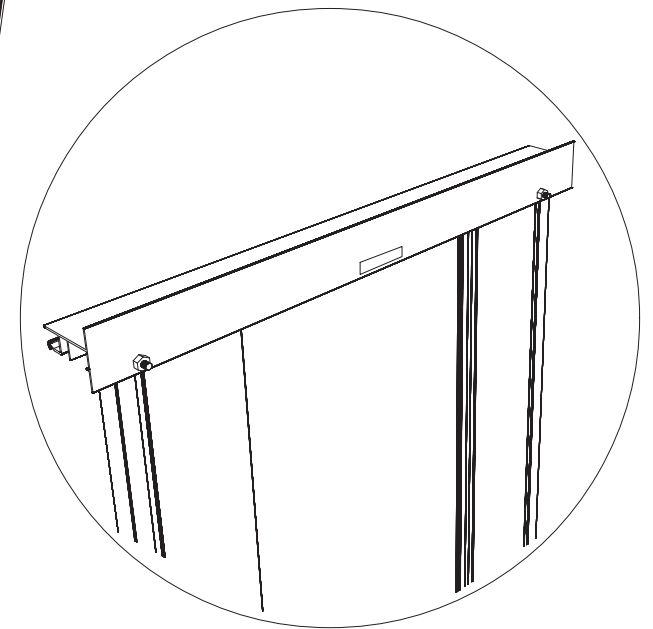
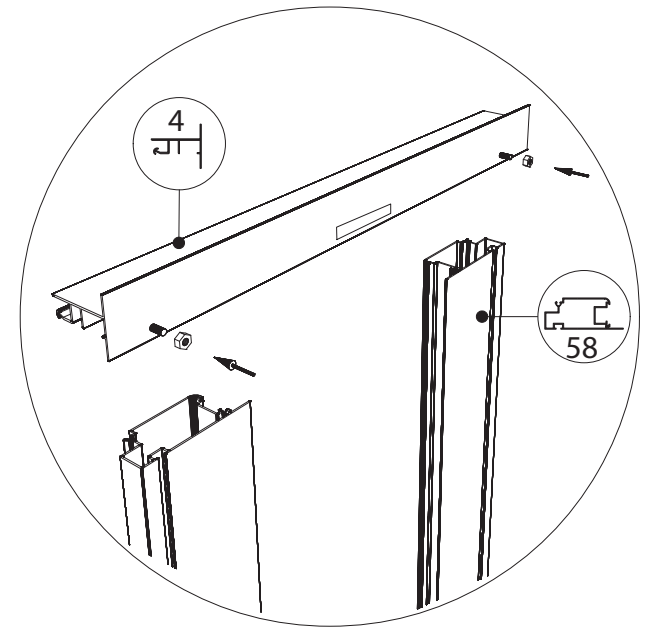
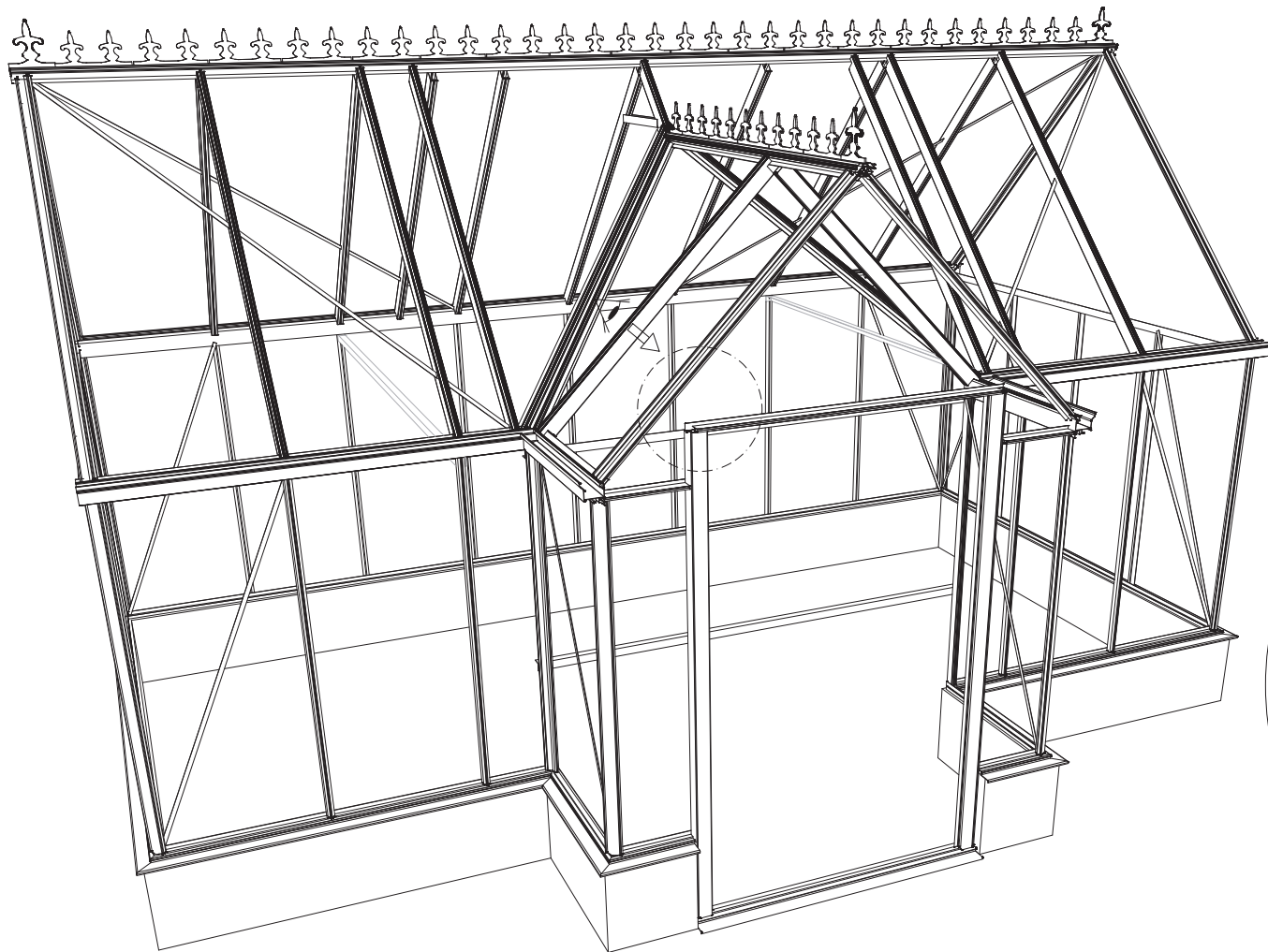
24

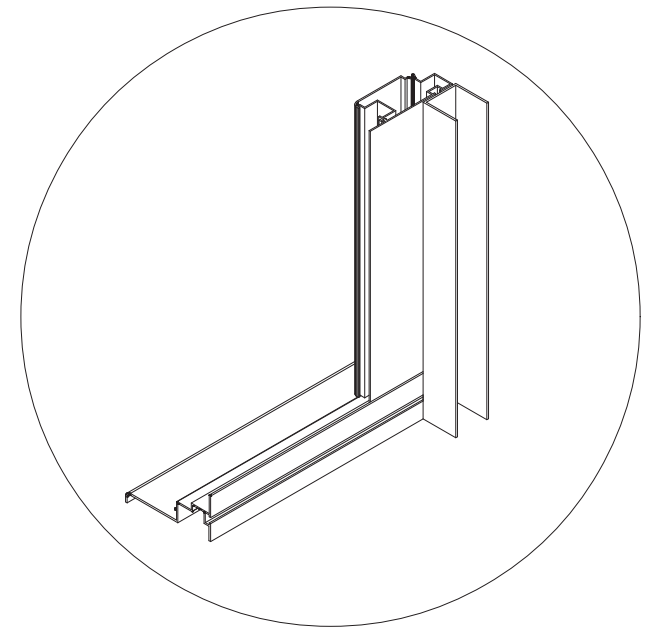
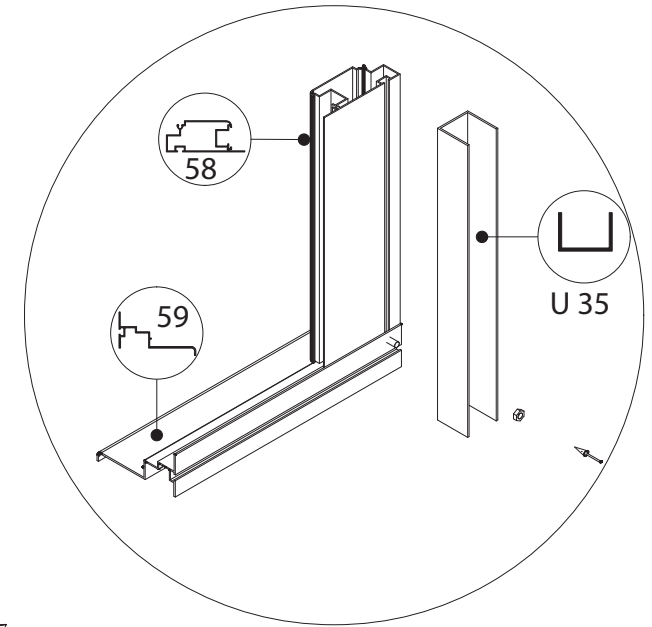
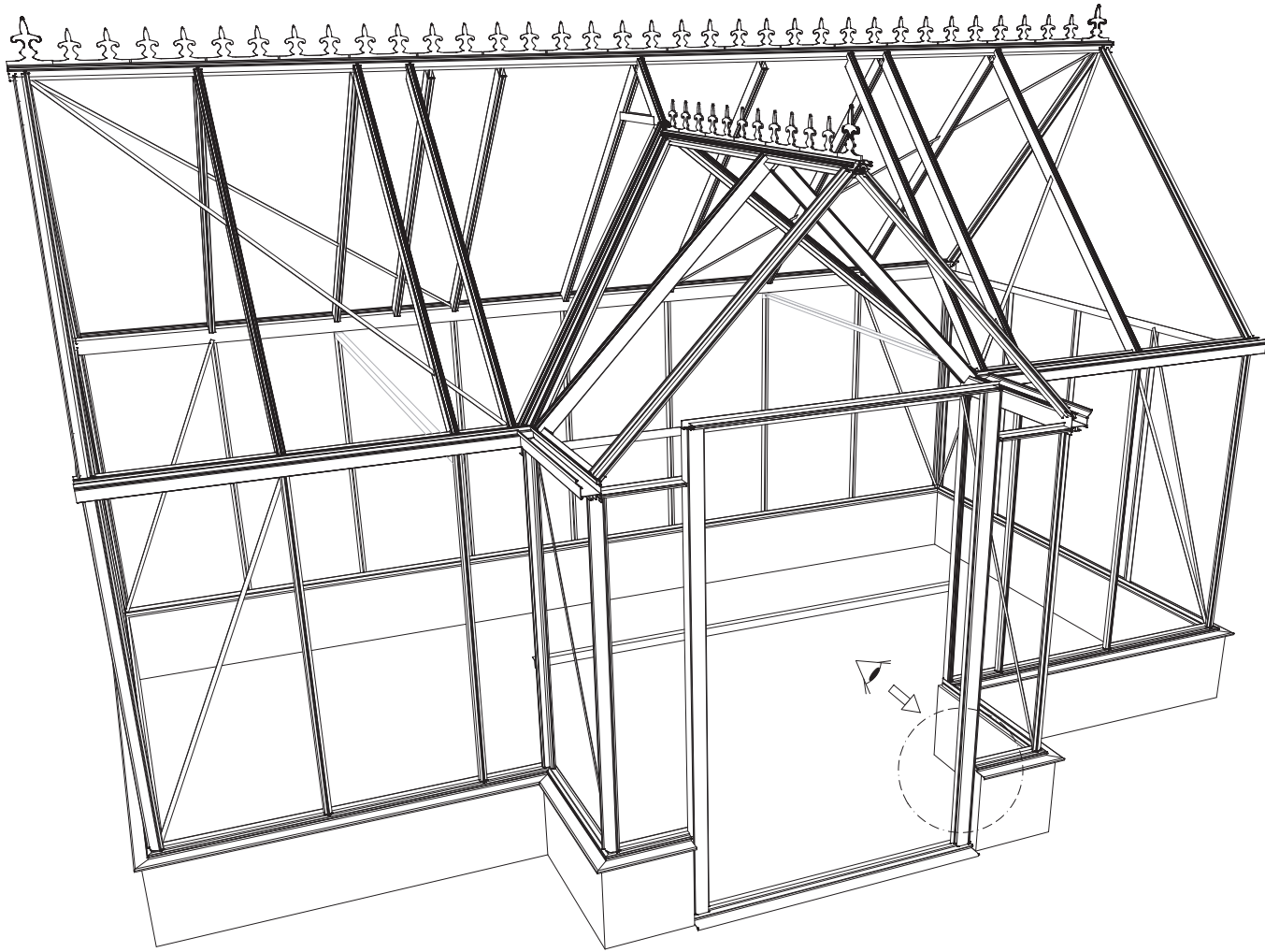


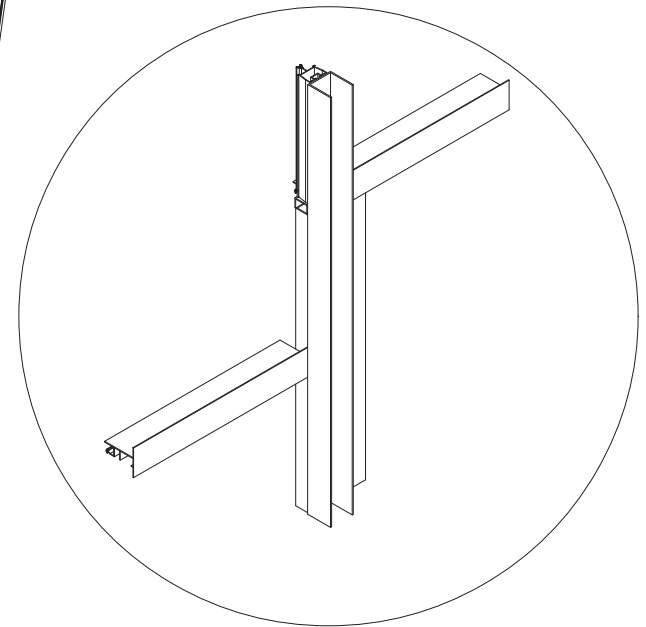
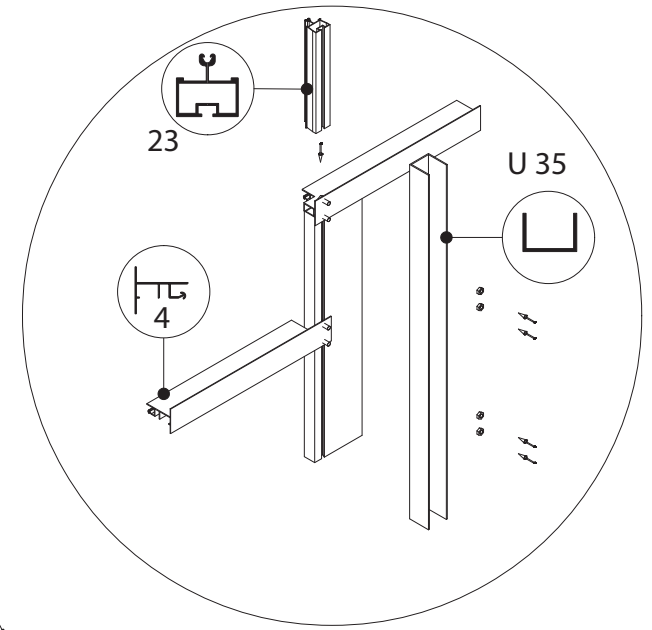
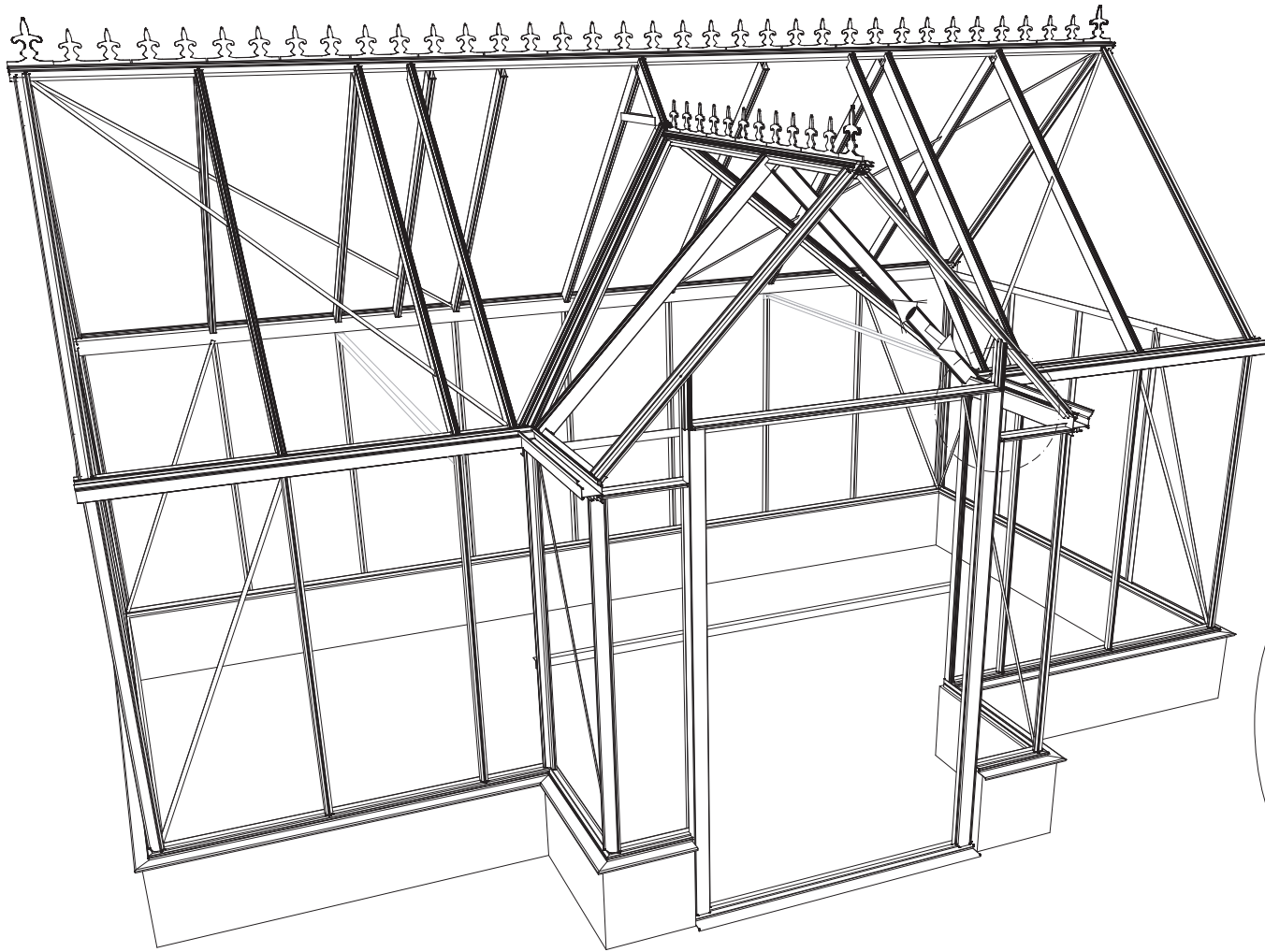
U40

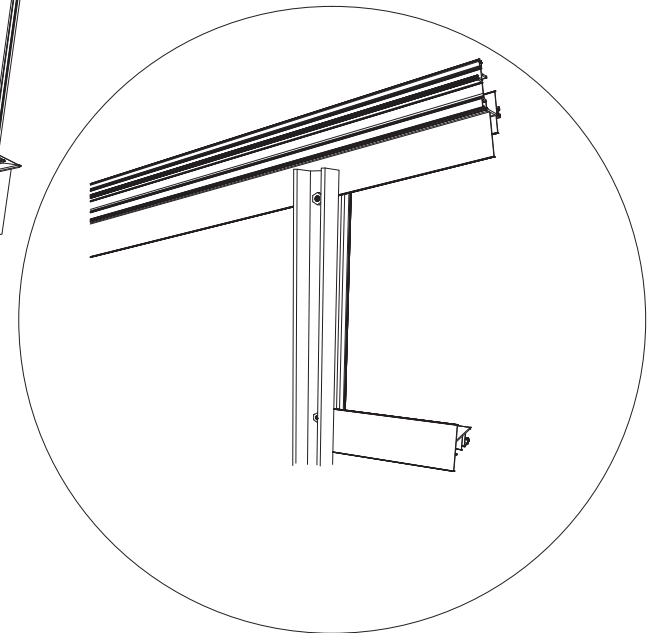
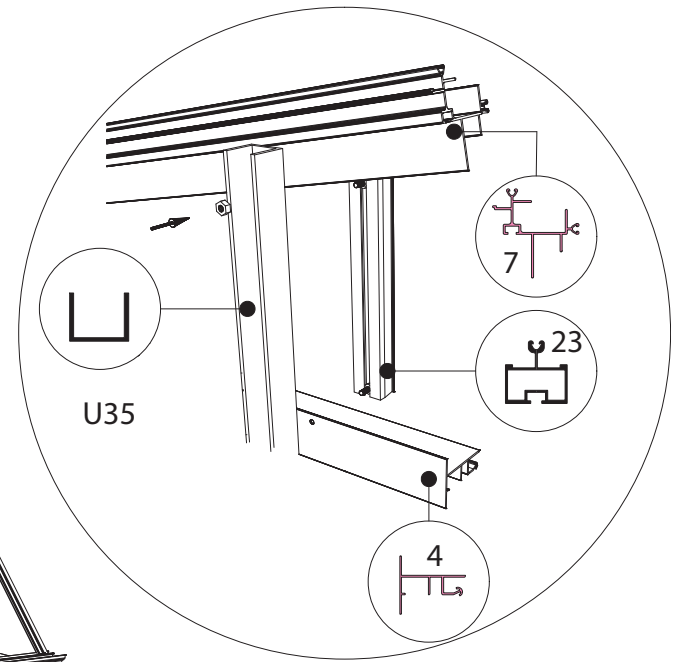
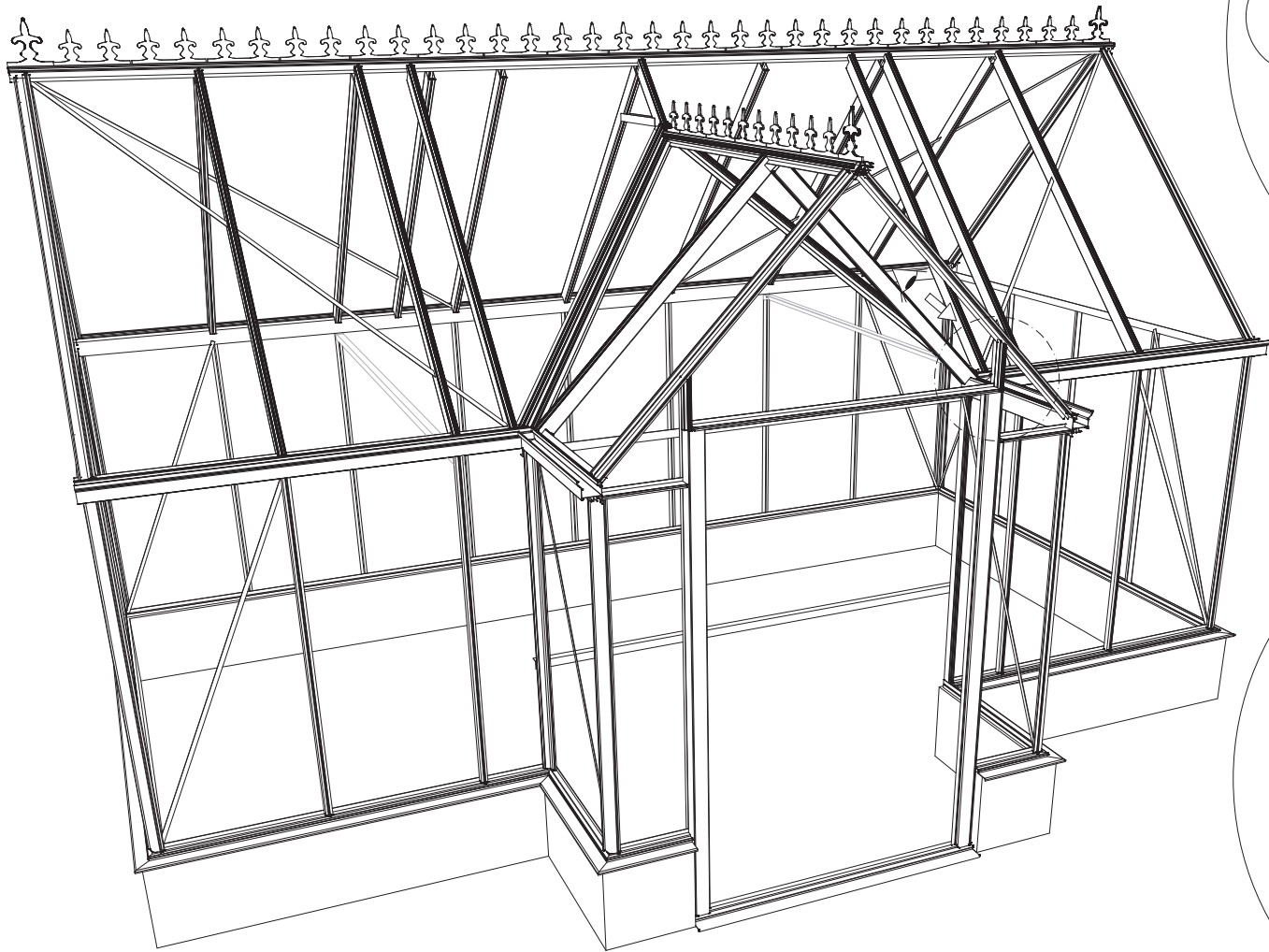


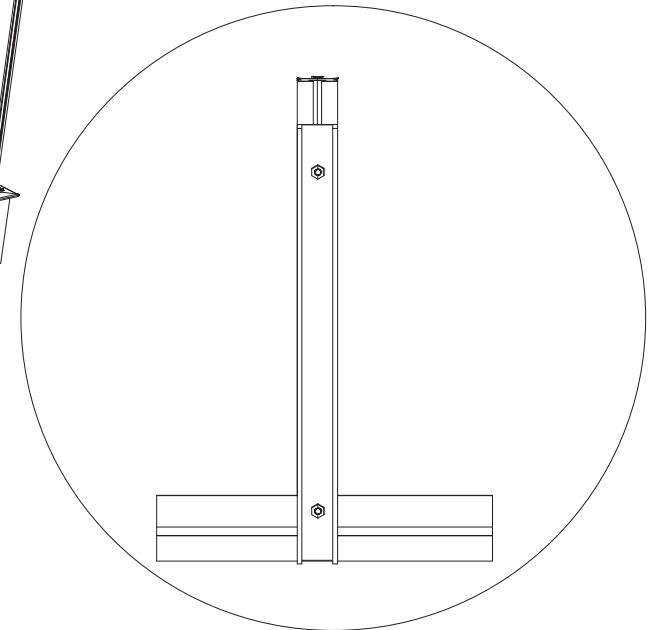
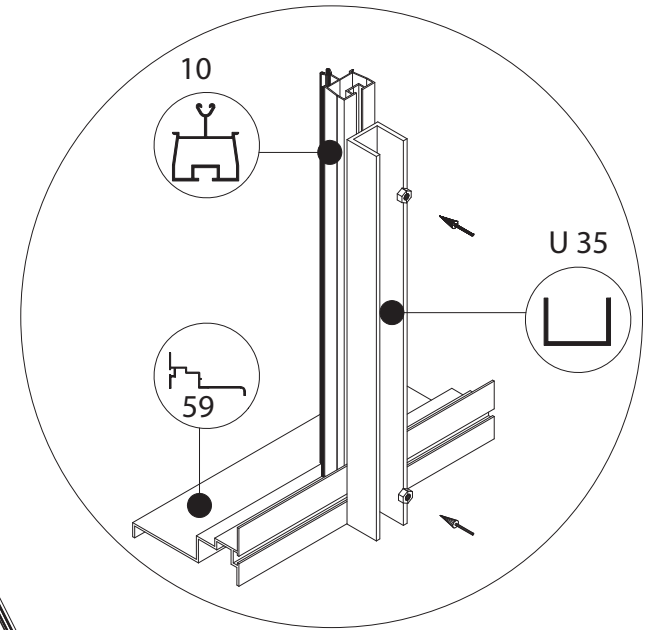
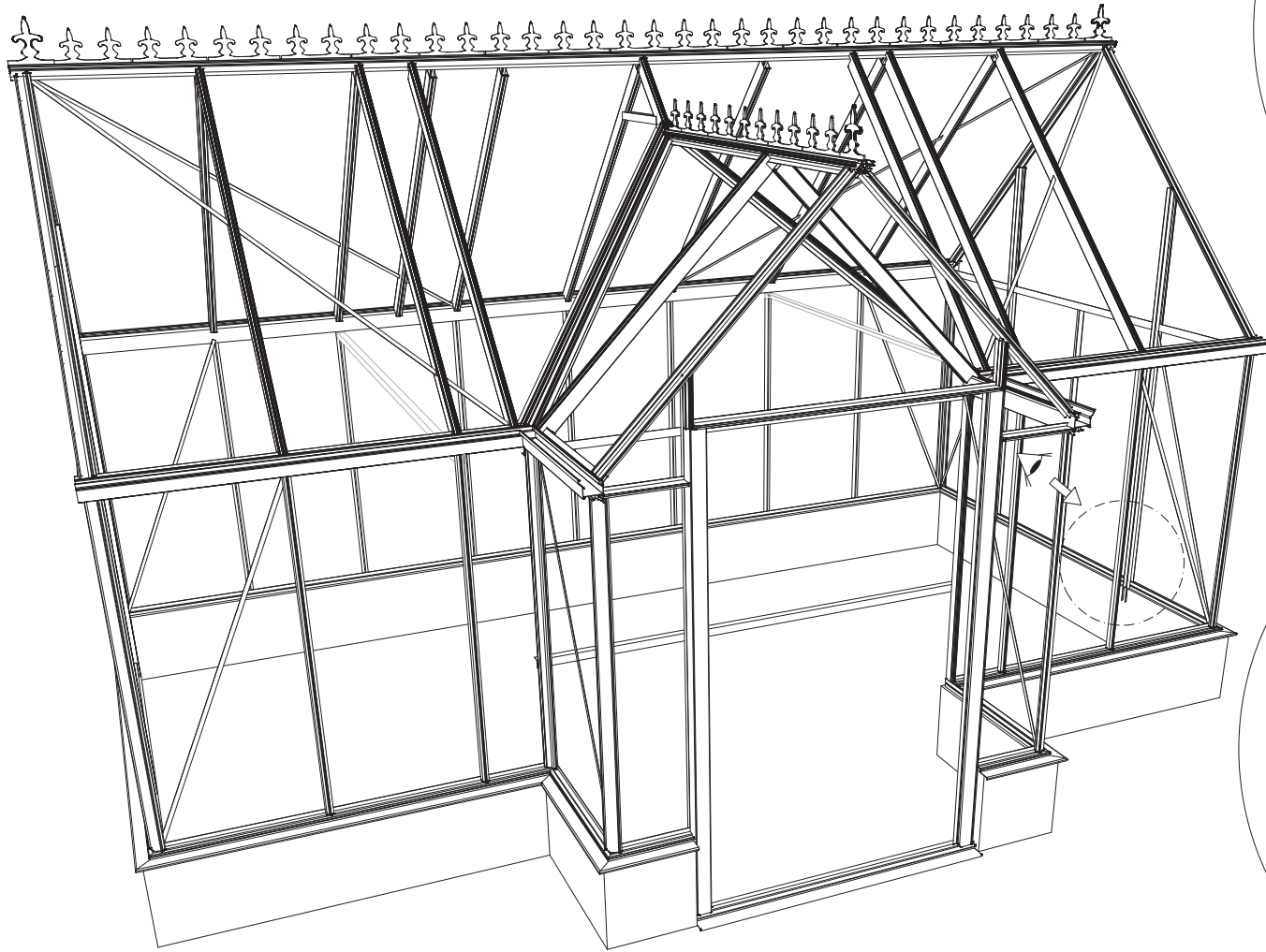
90° !

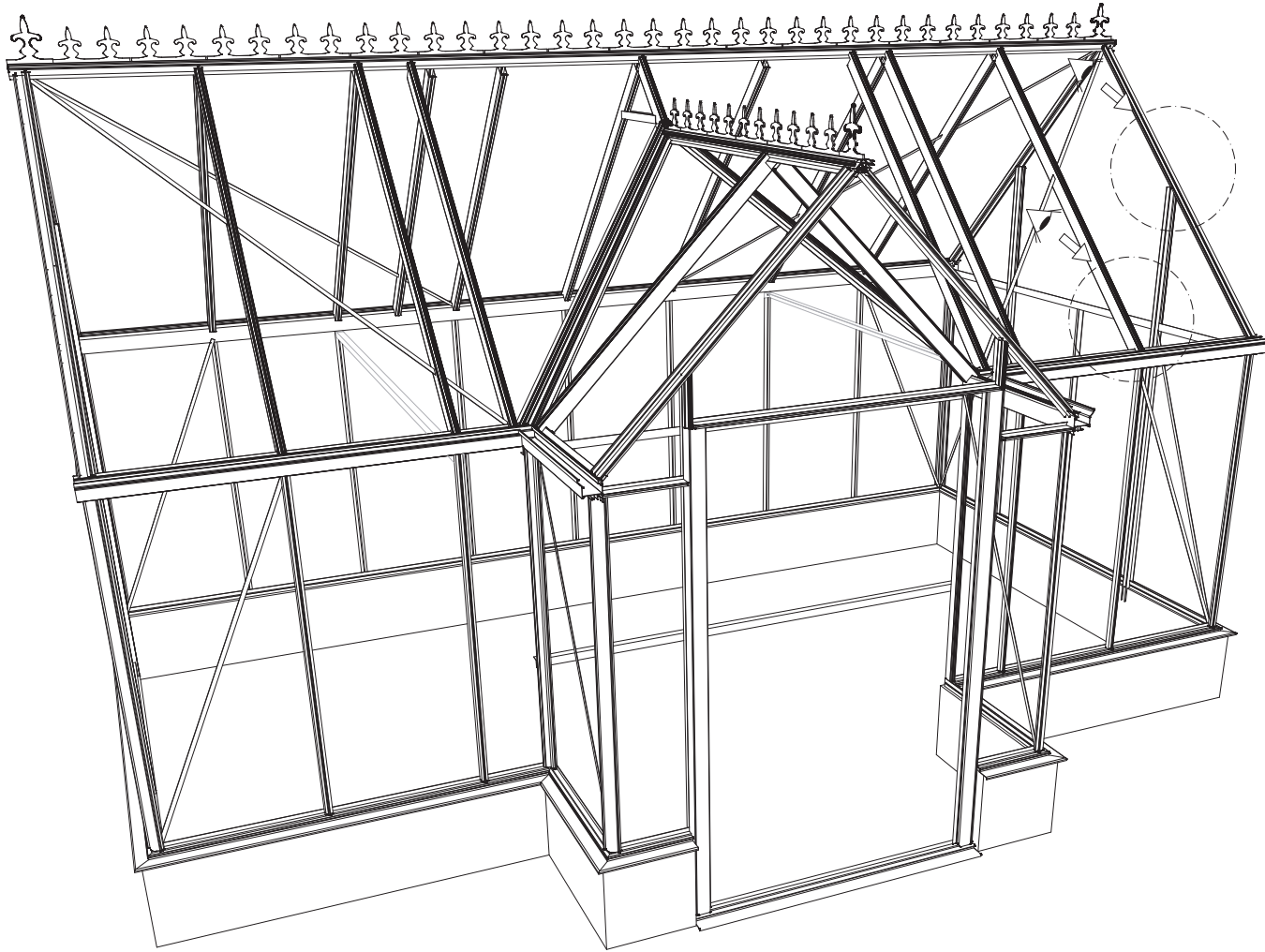




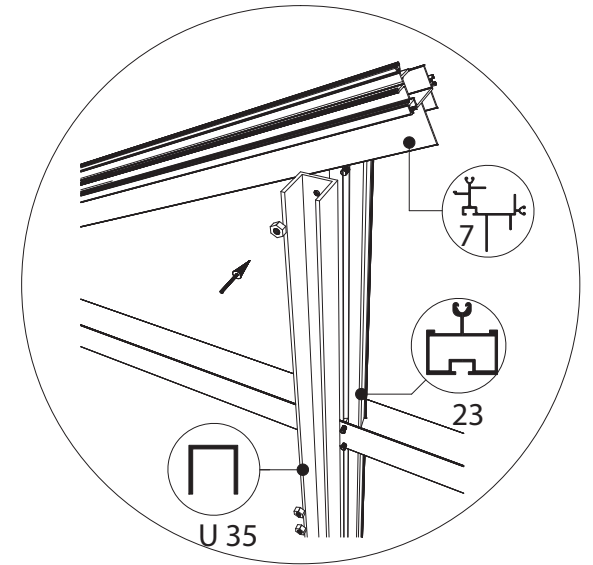
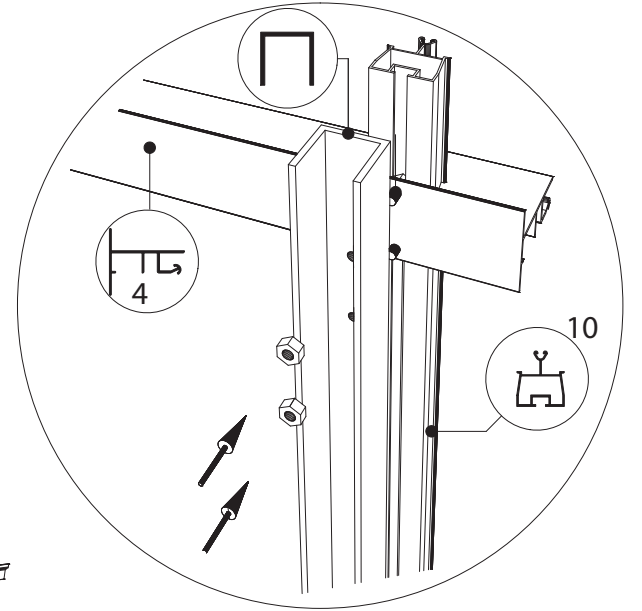


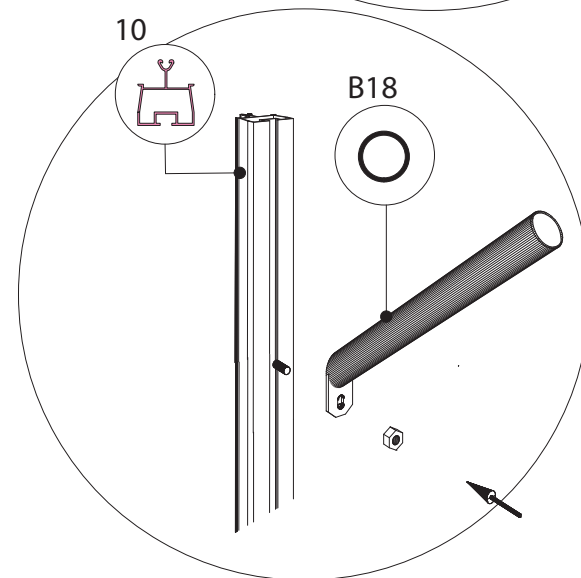
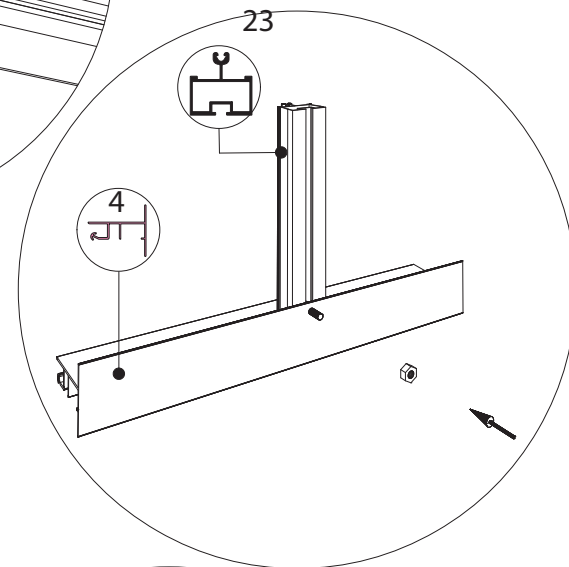
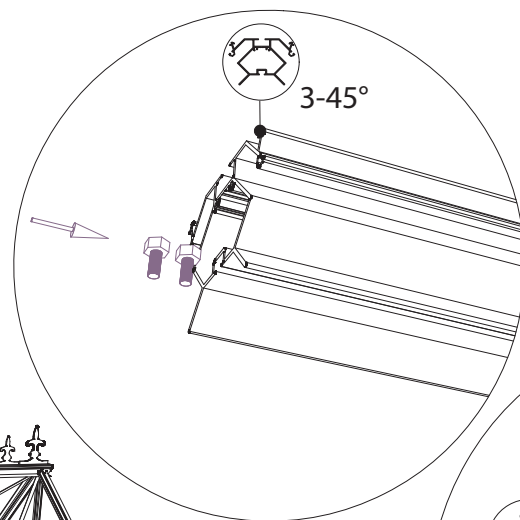
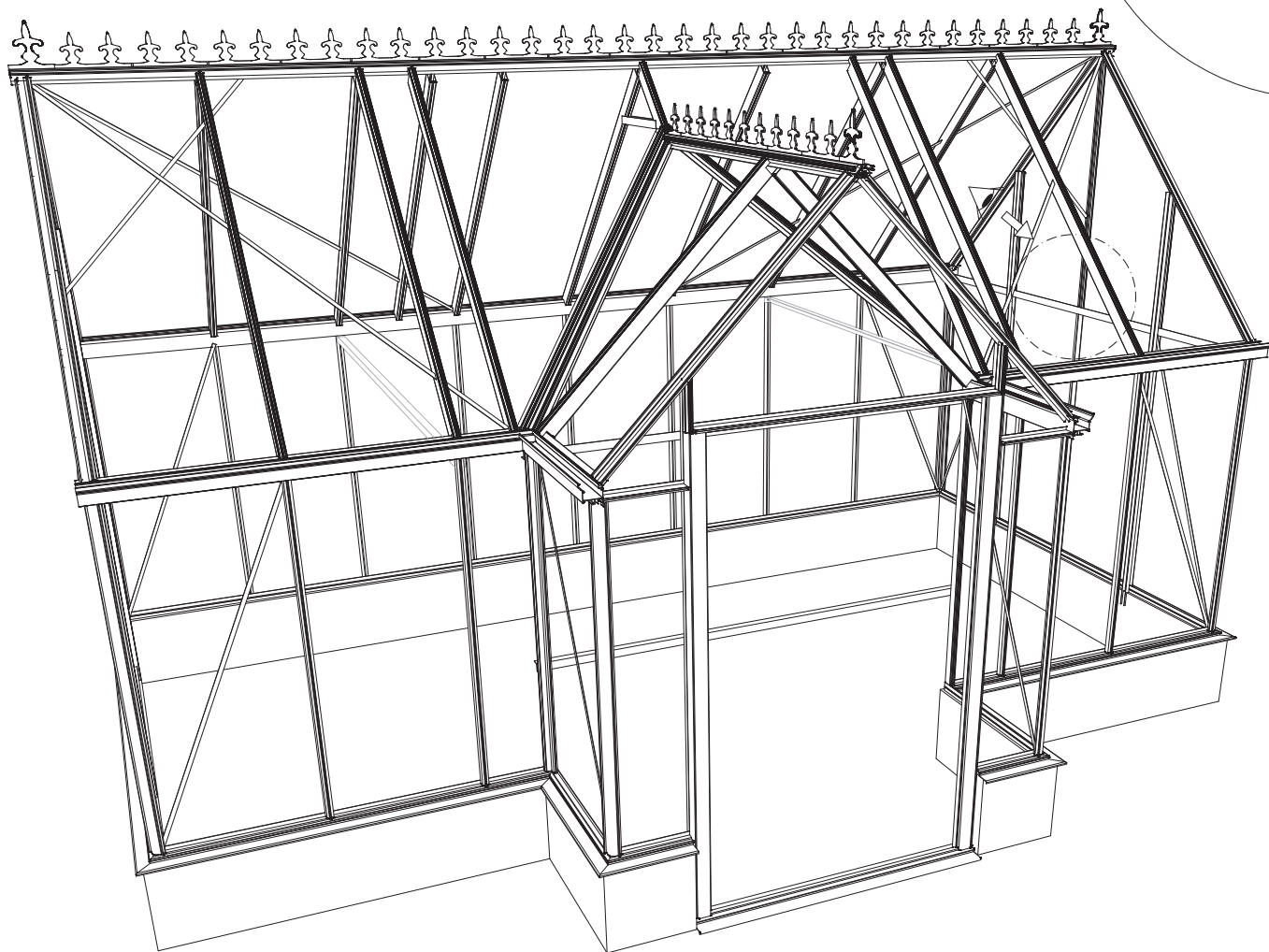


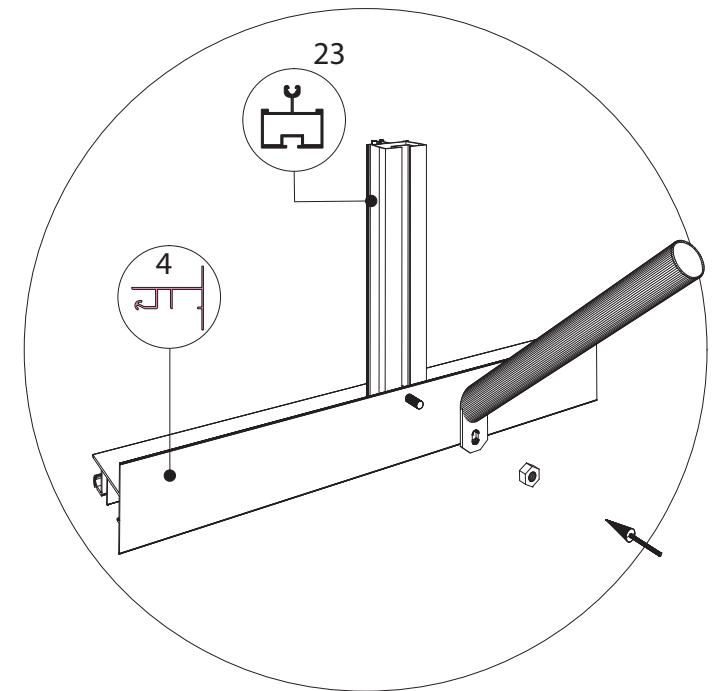
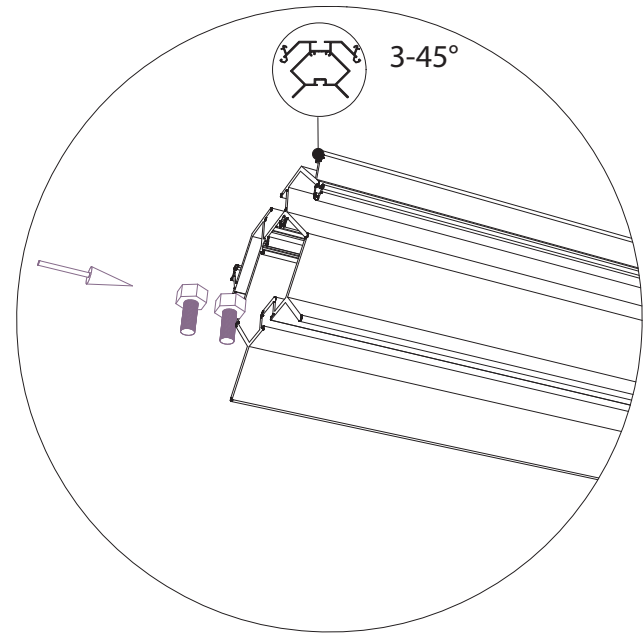
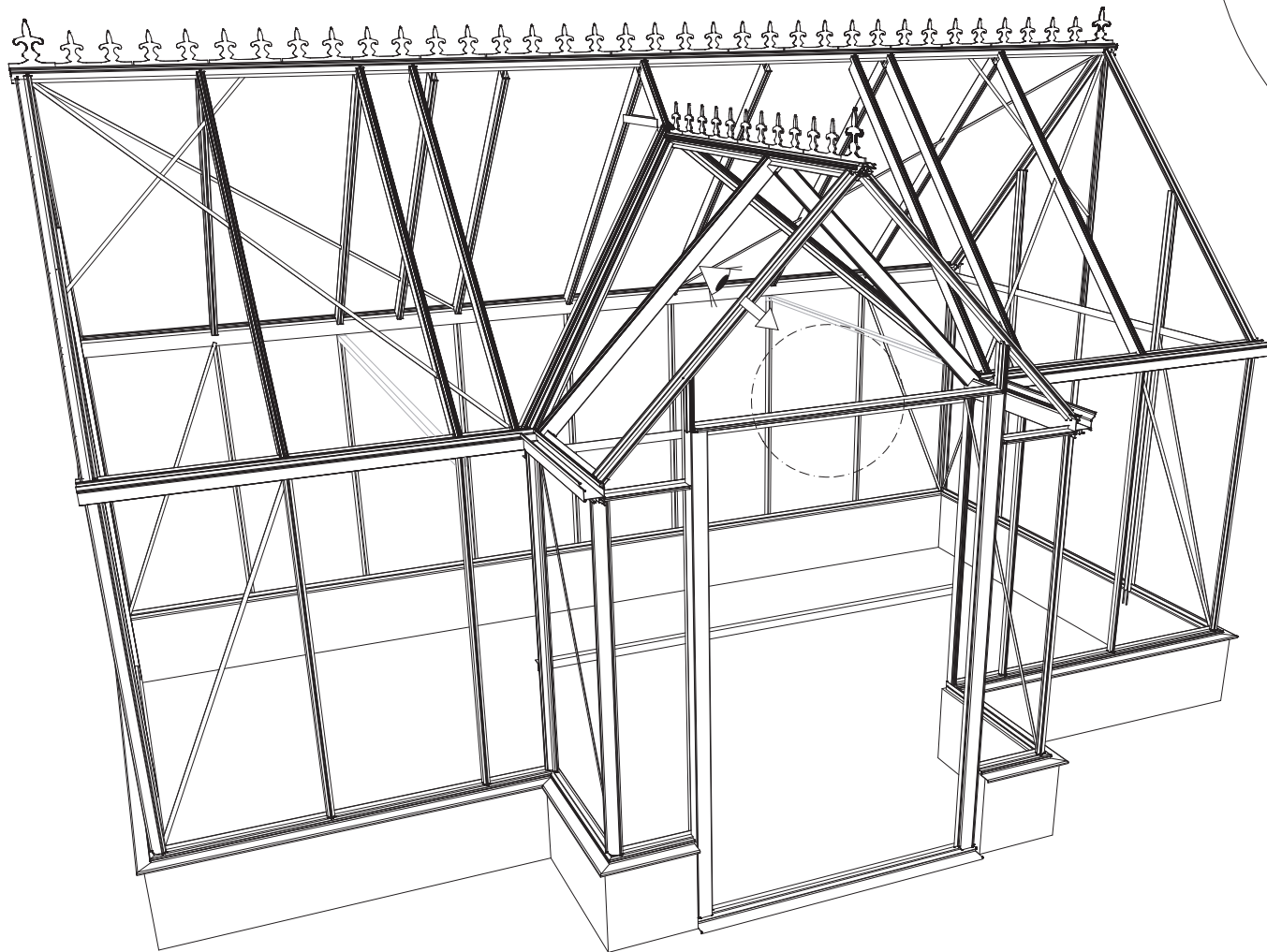


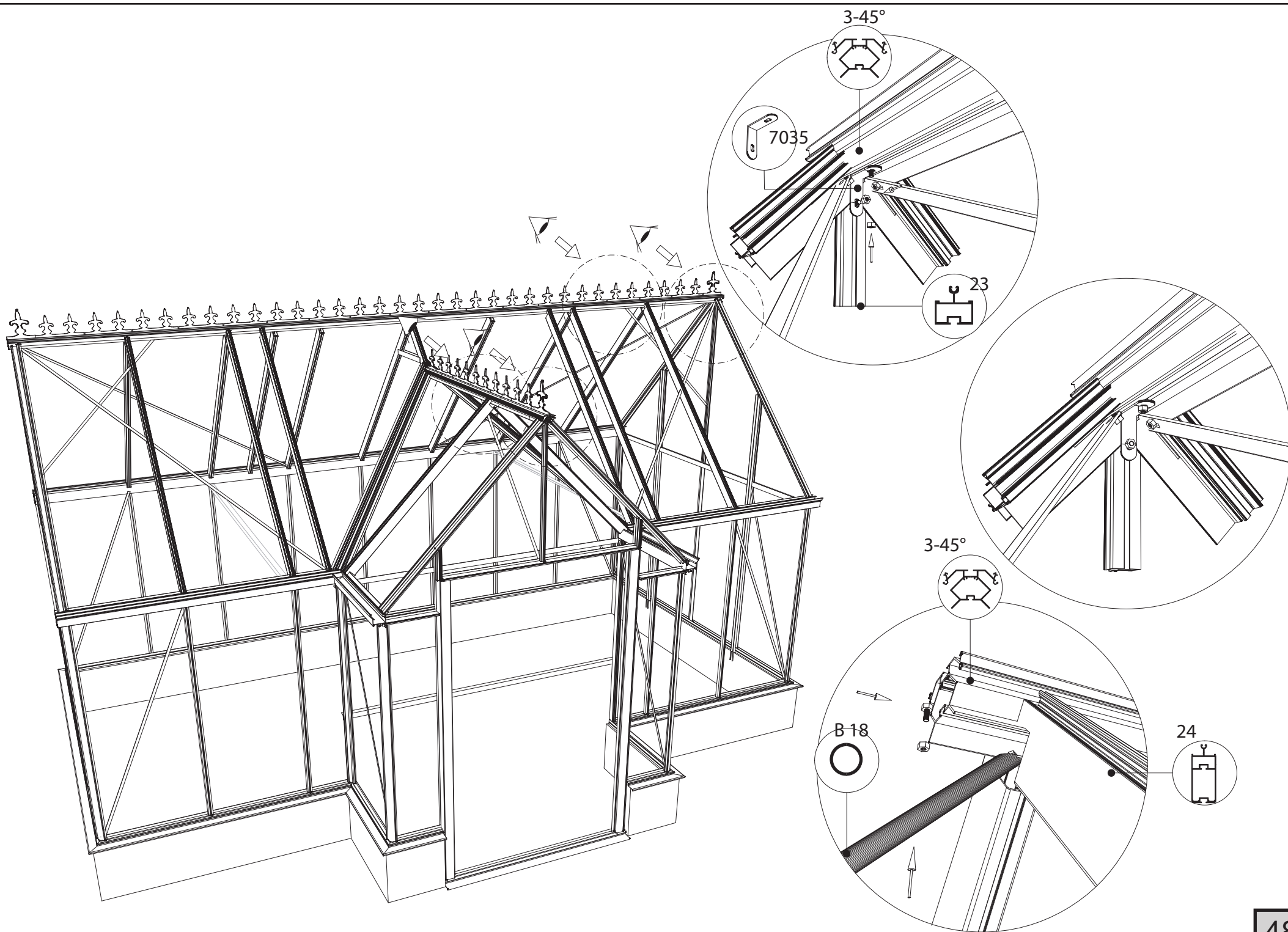


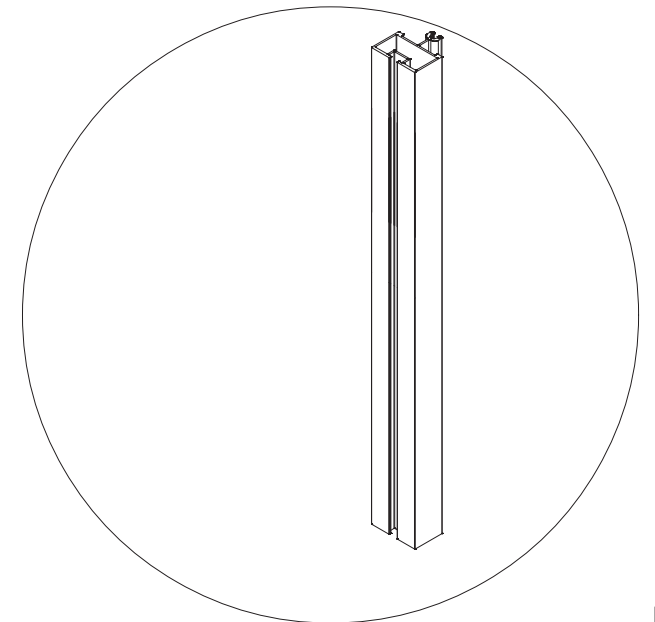
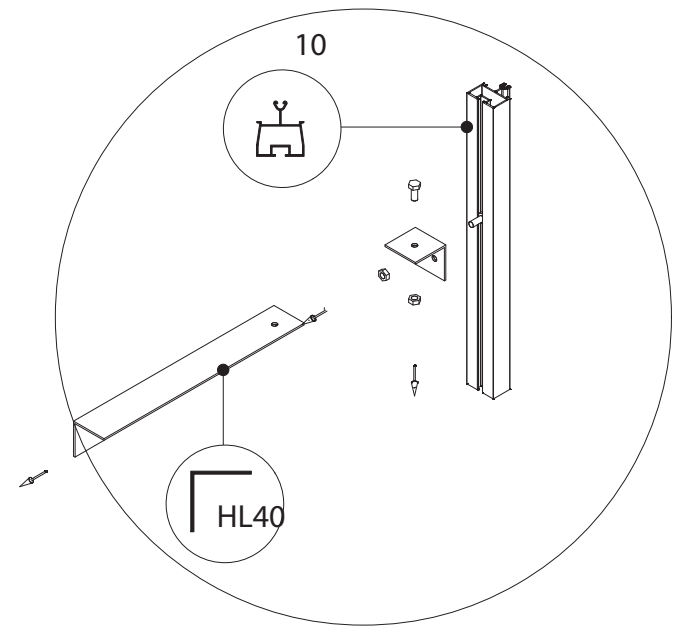
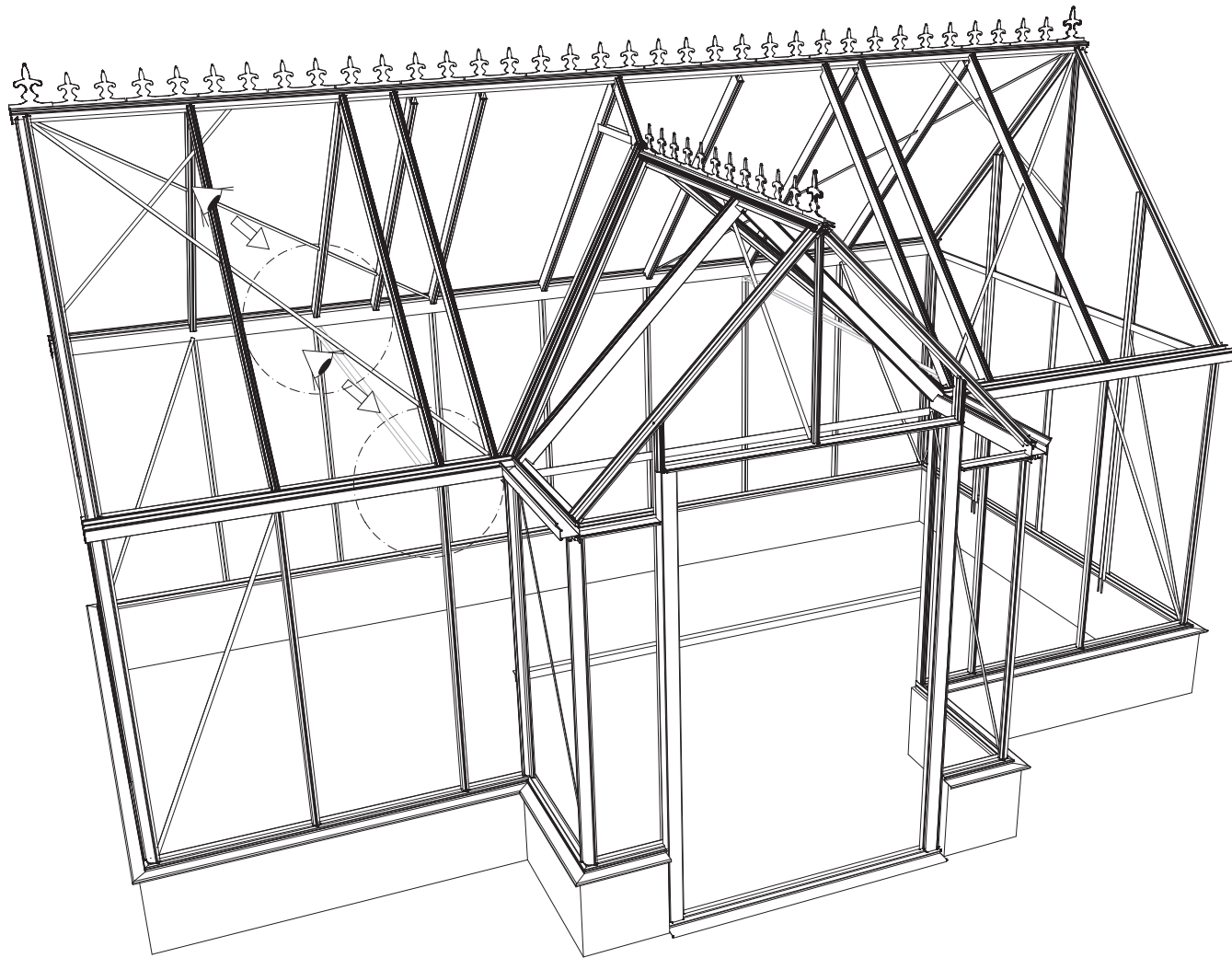
U 35

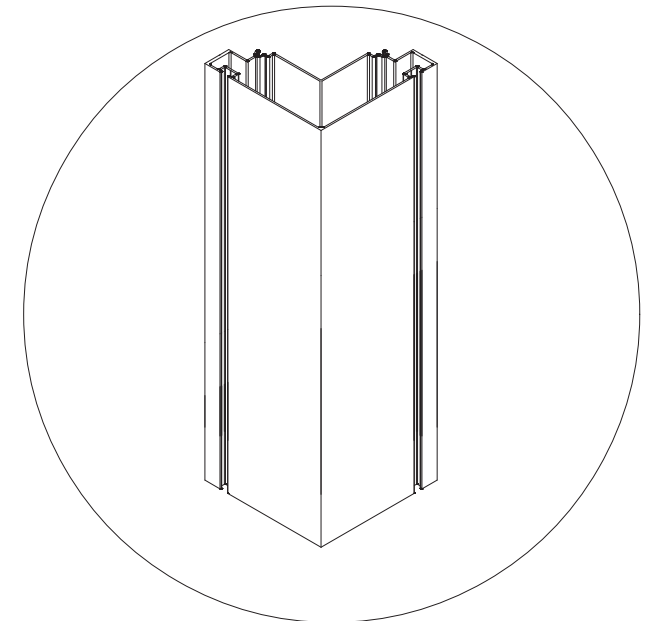
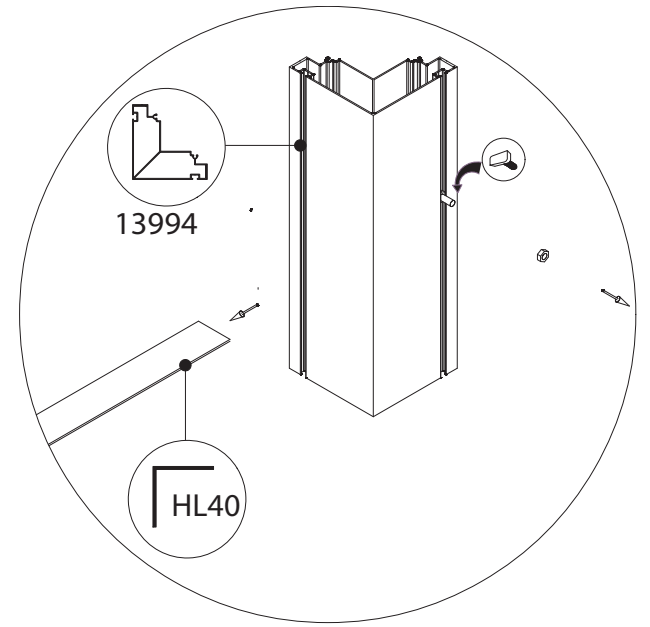
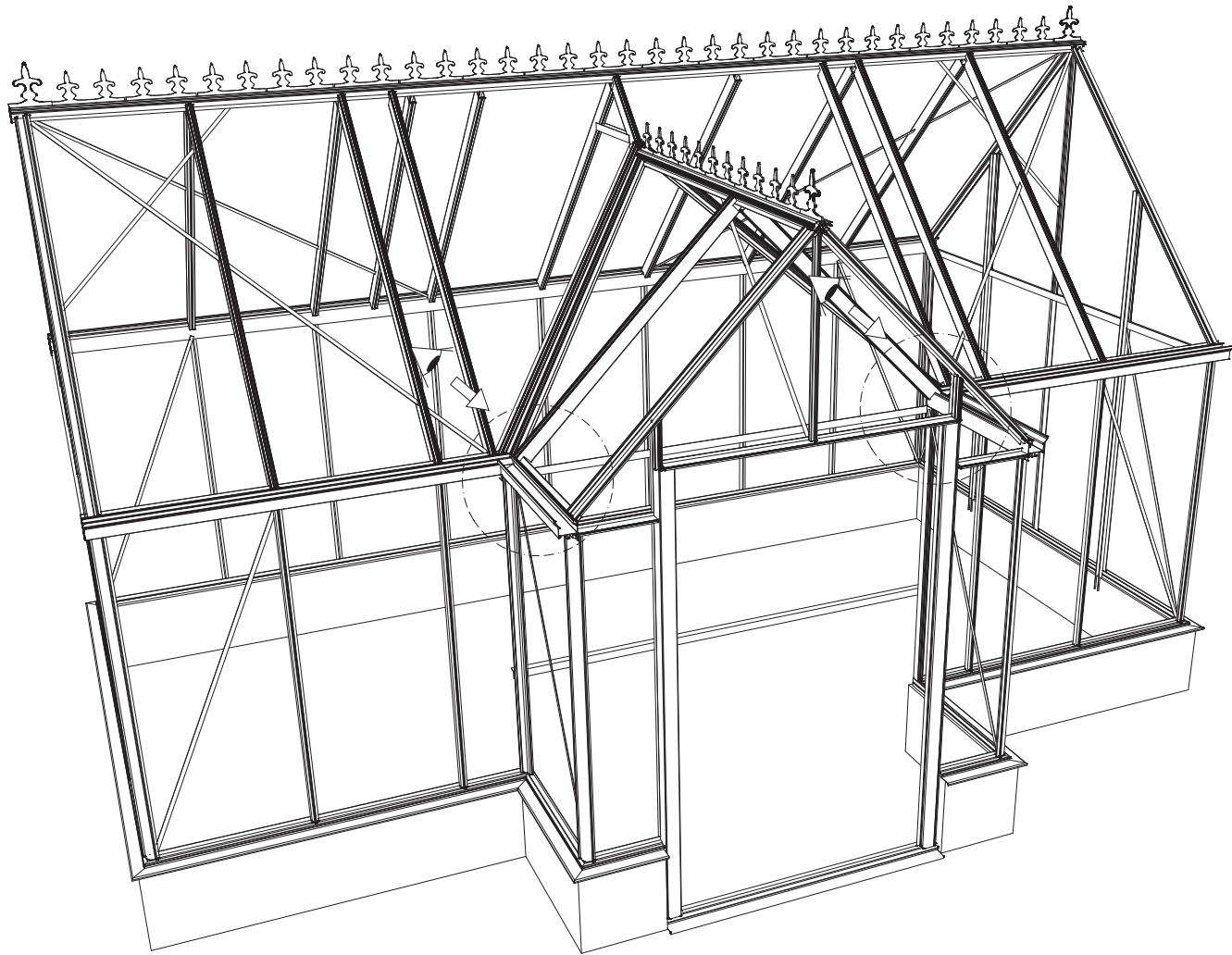


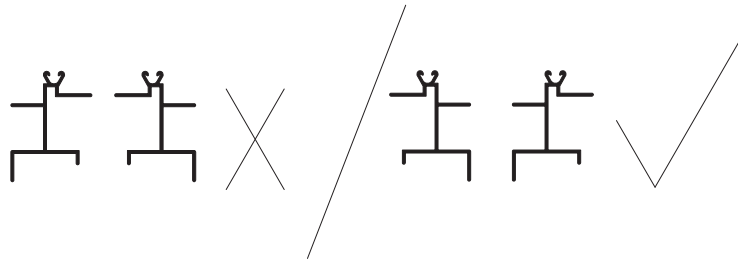
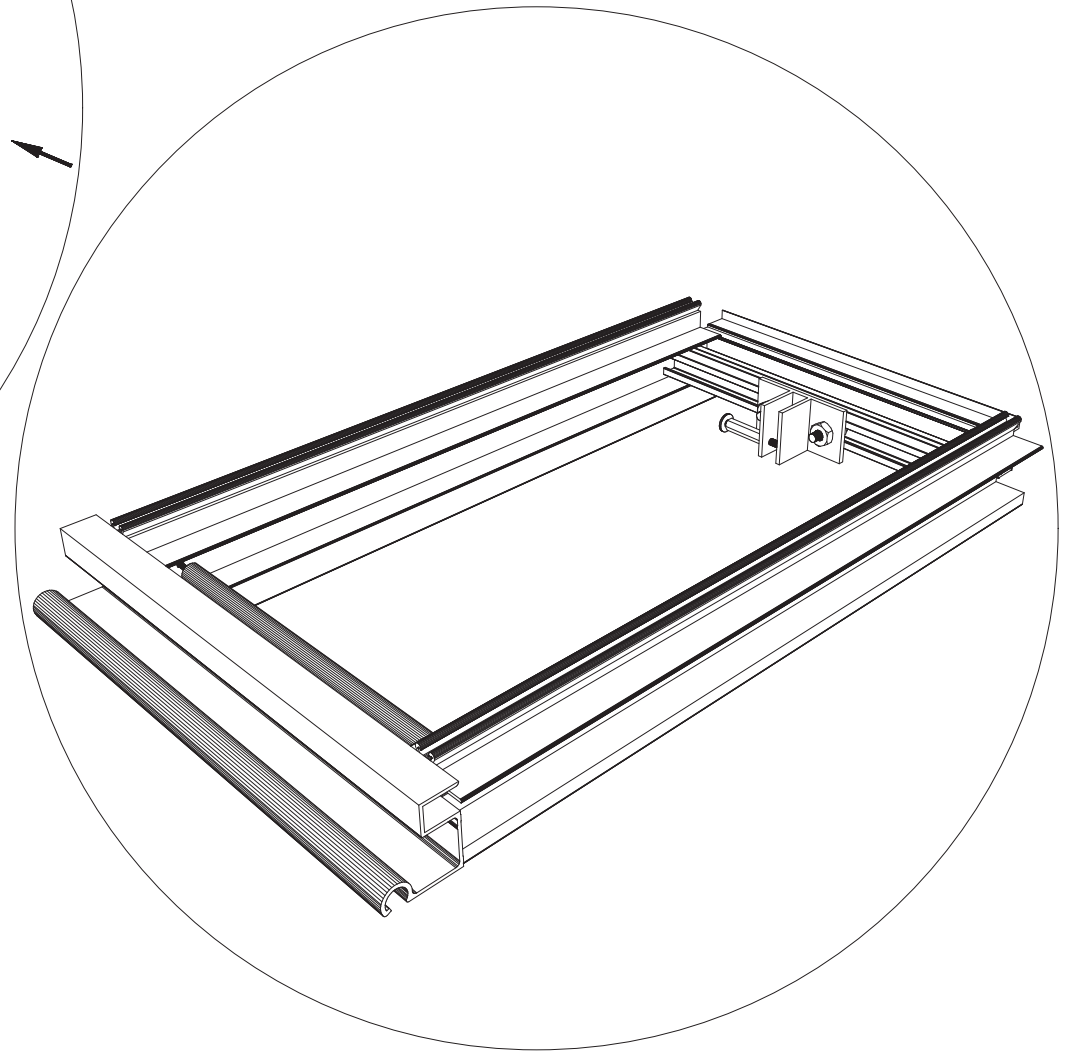
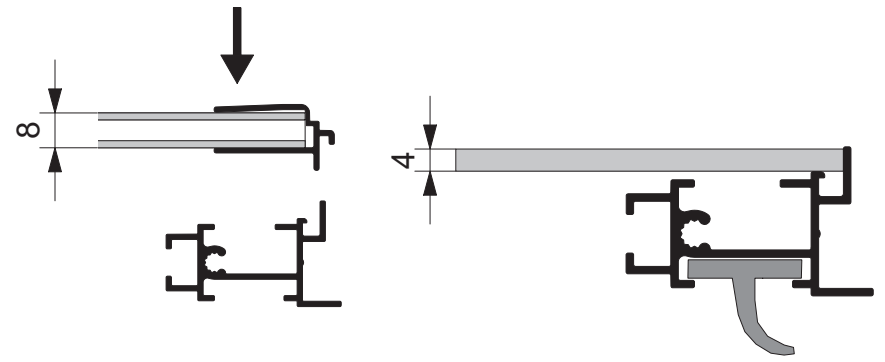
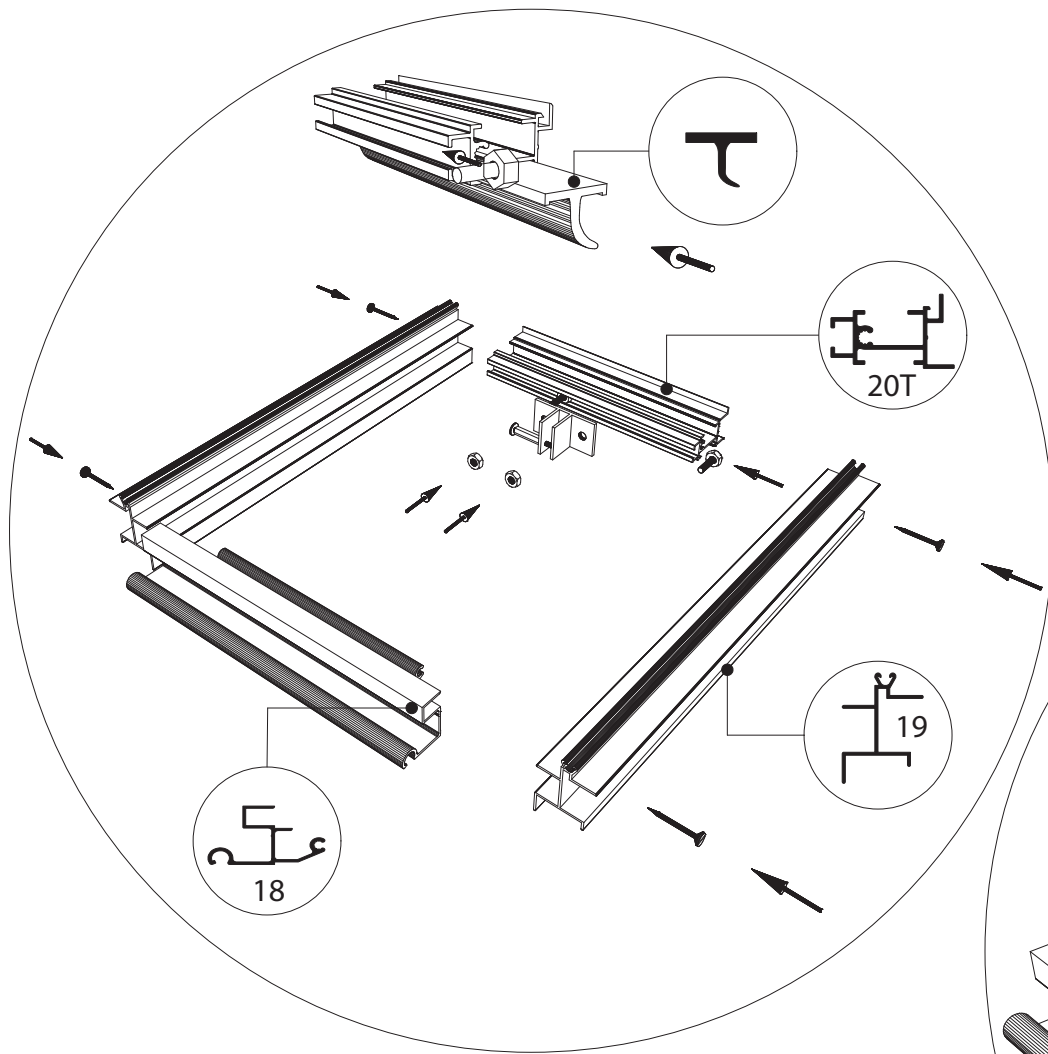


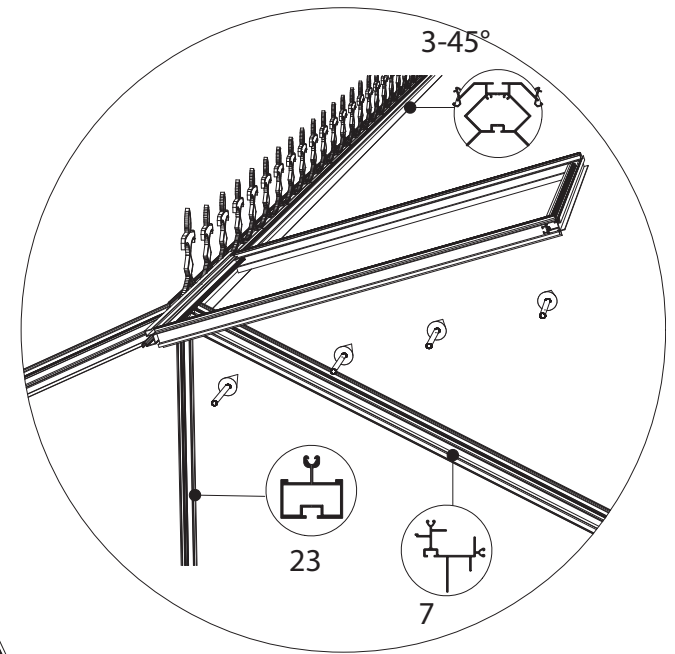
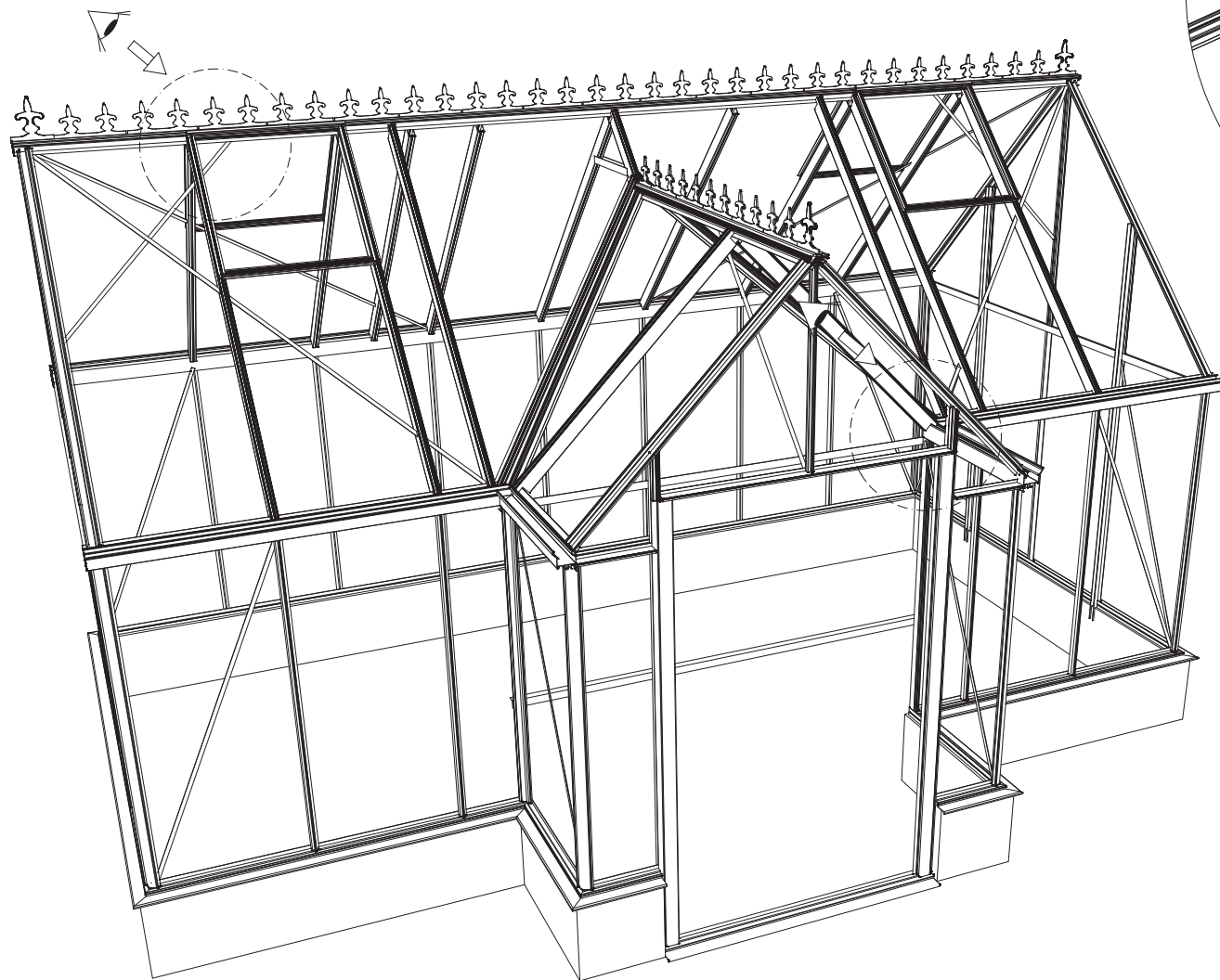


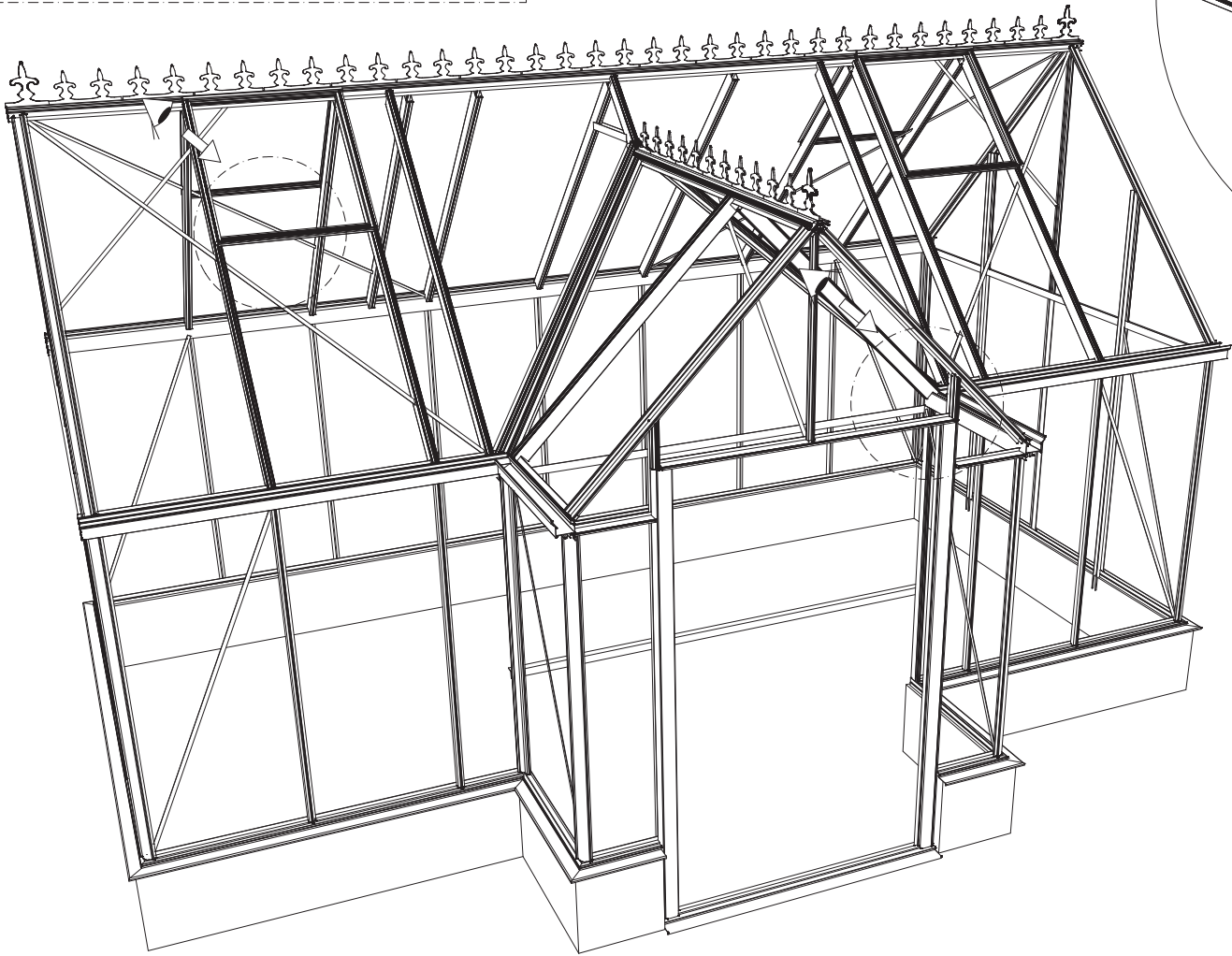
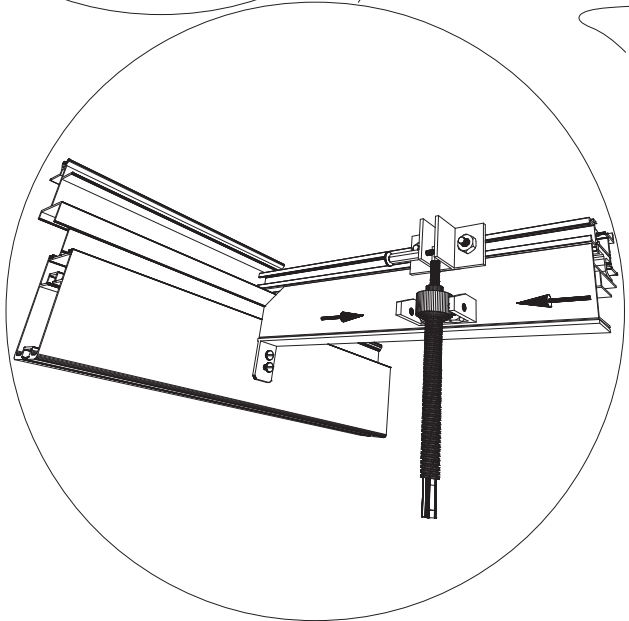
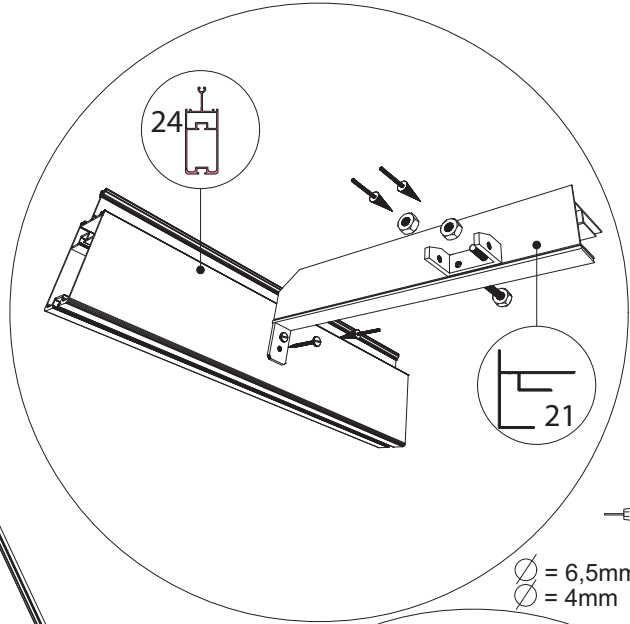
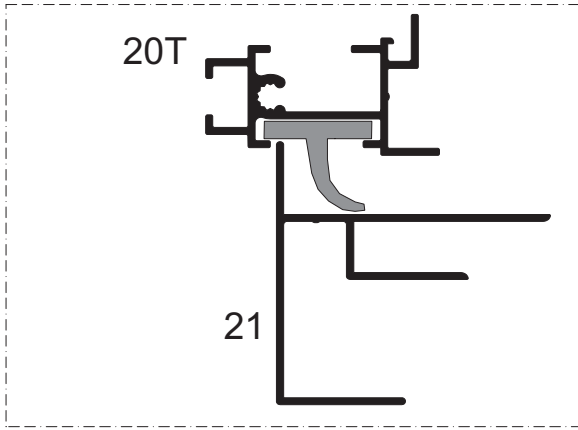


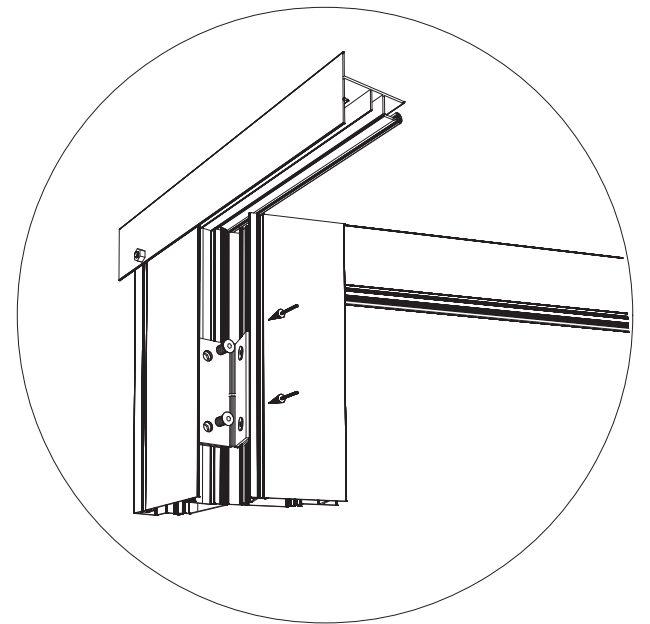
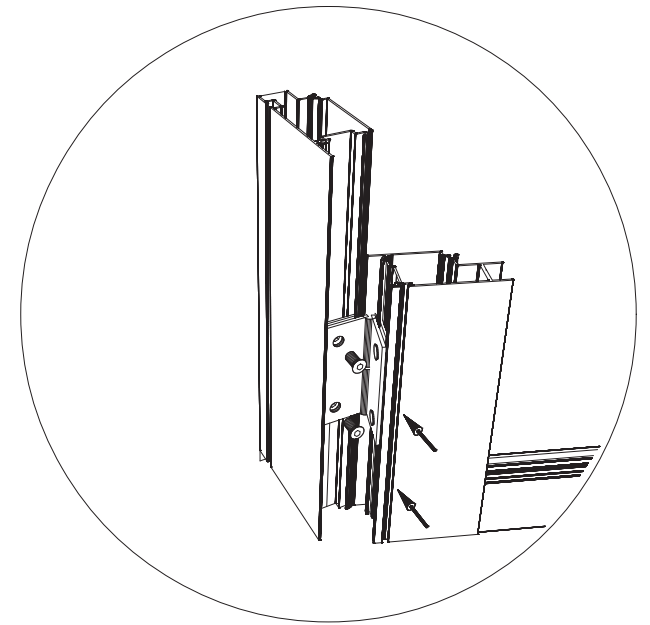
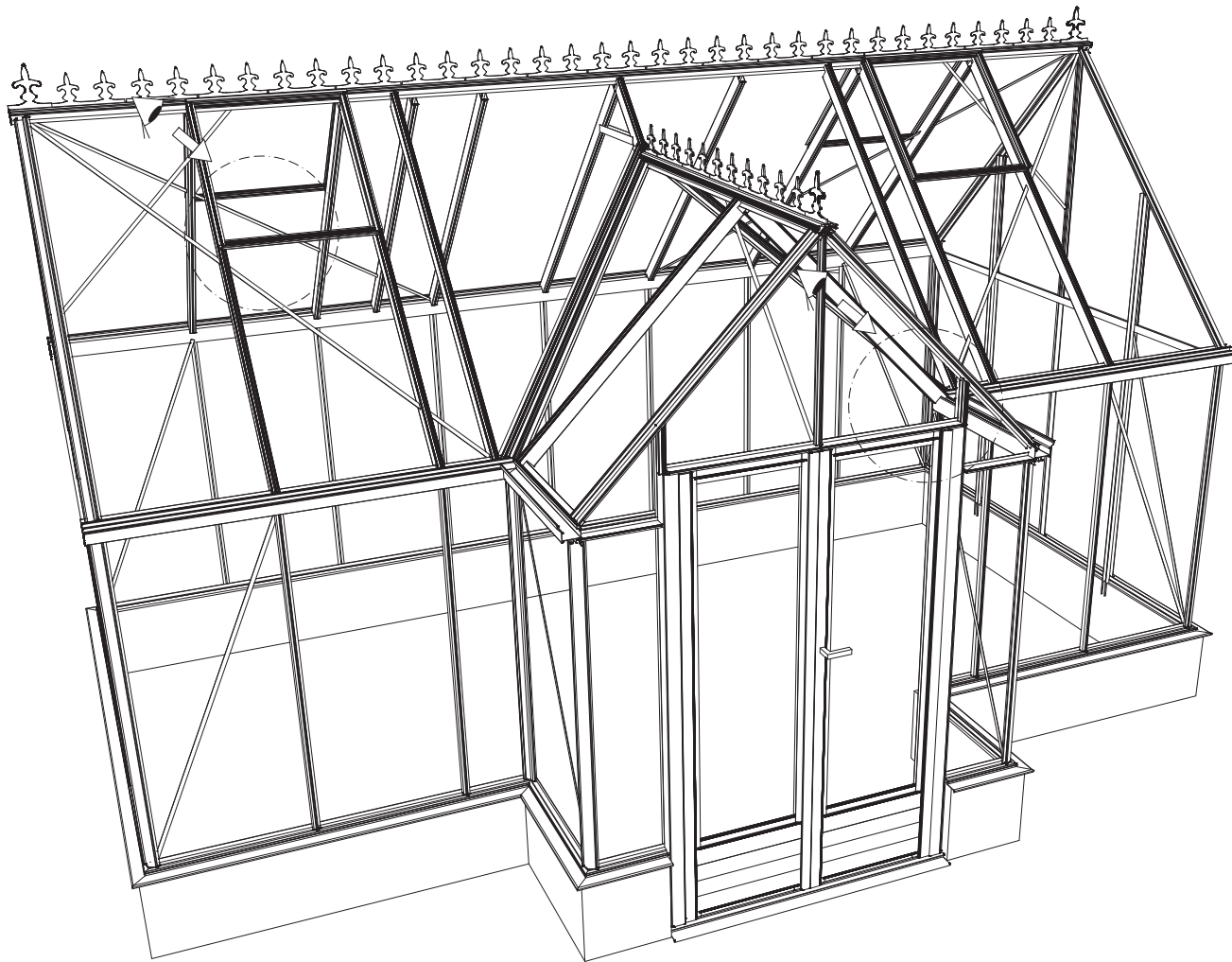


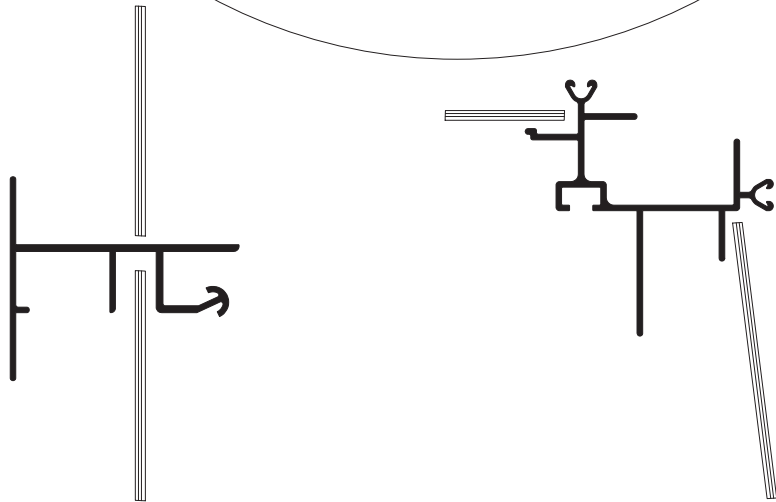
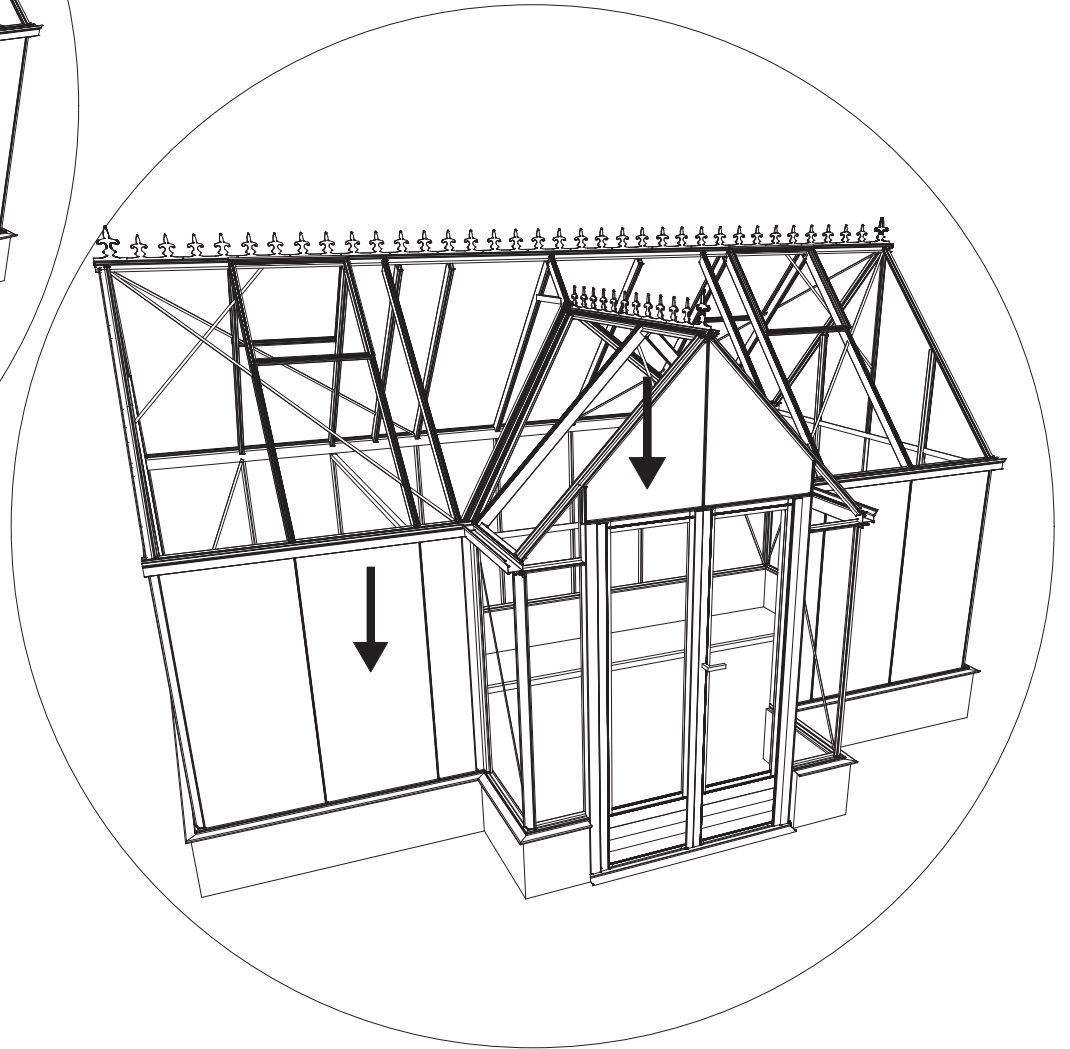
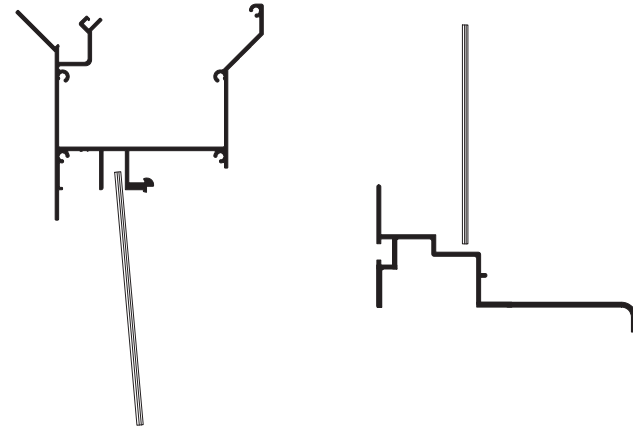
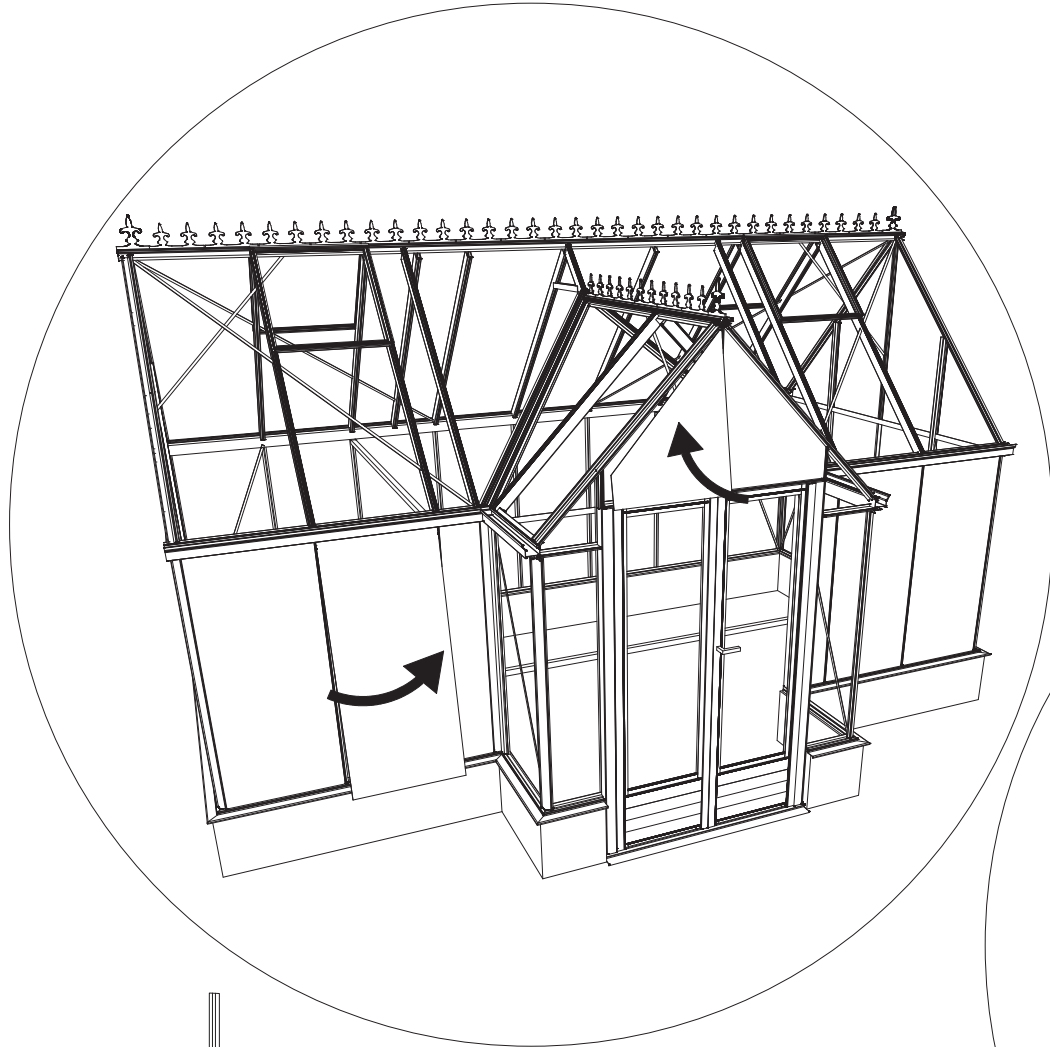


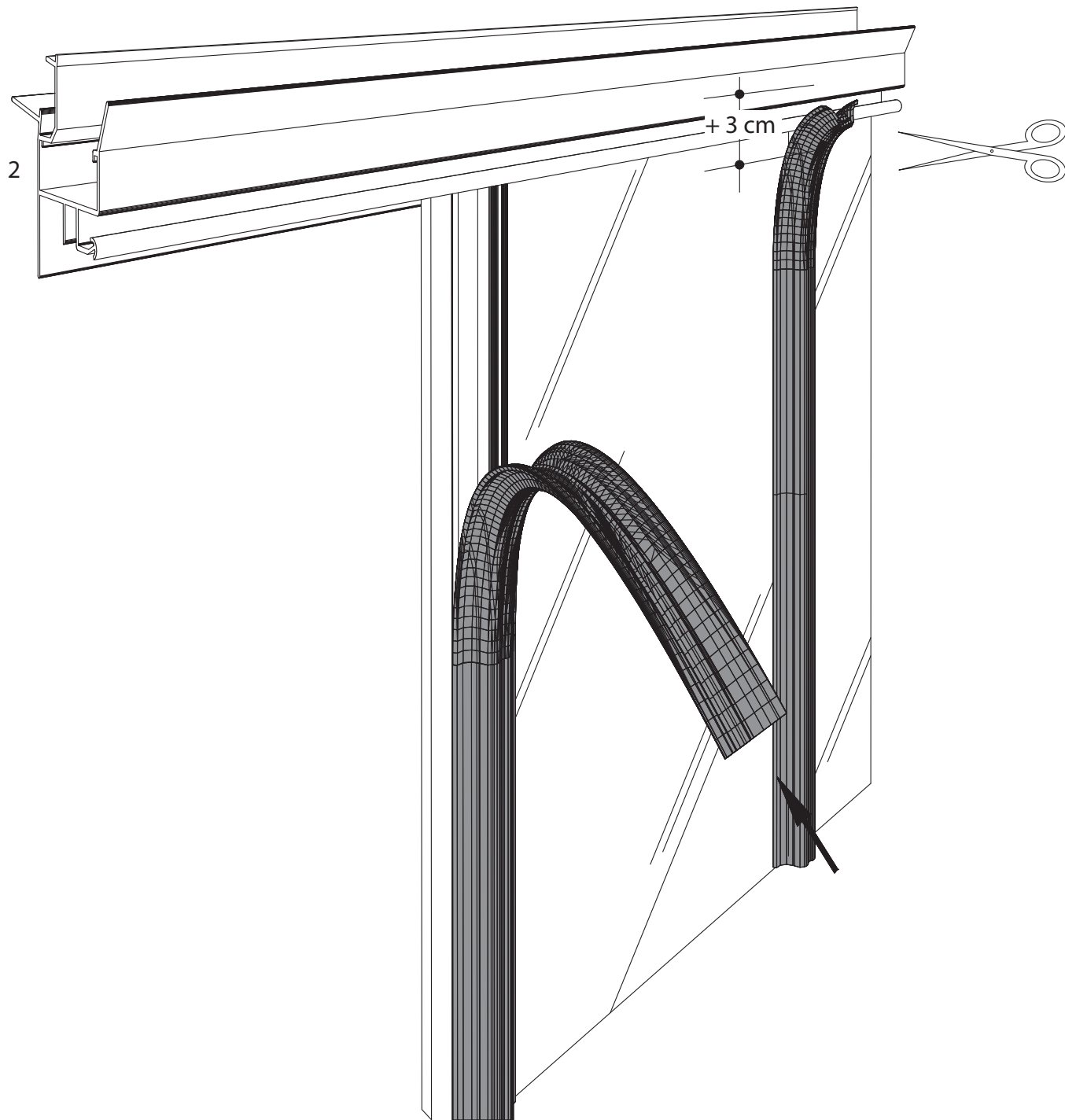


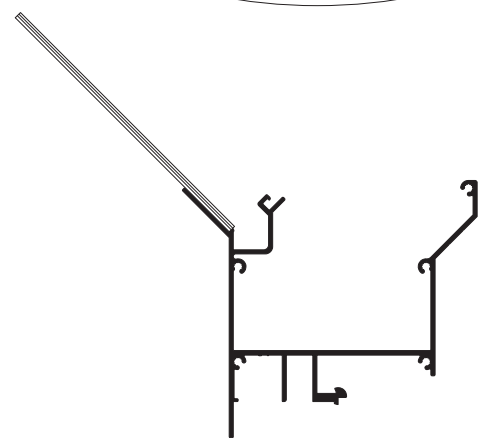
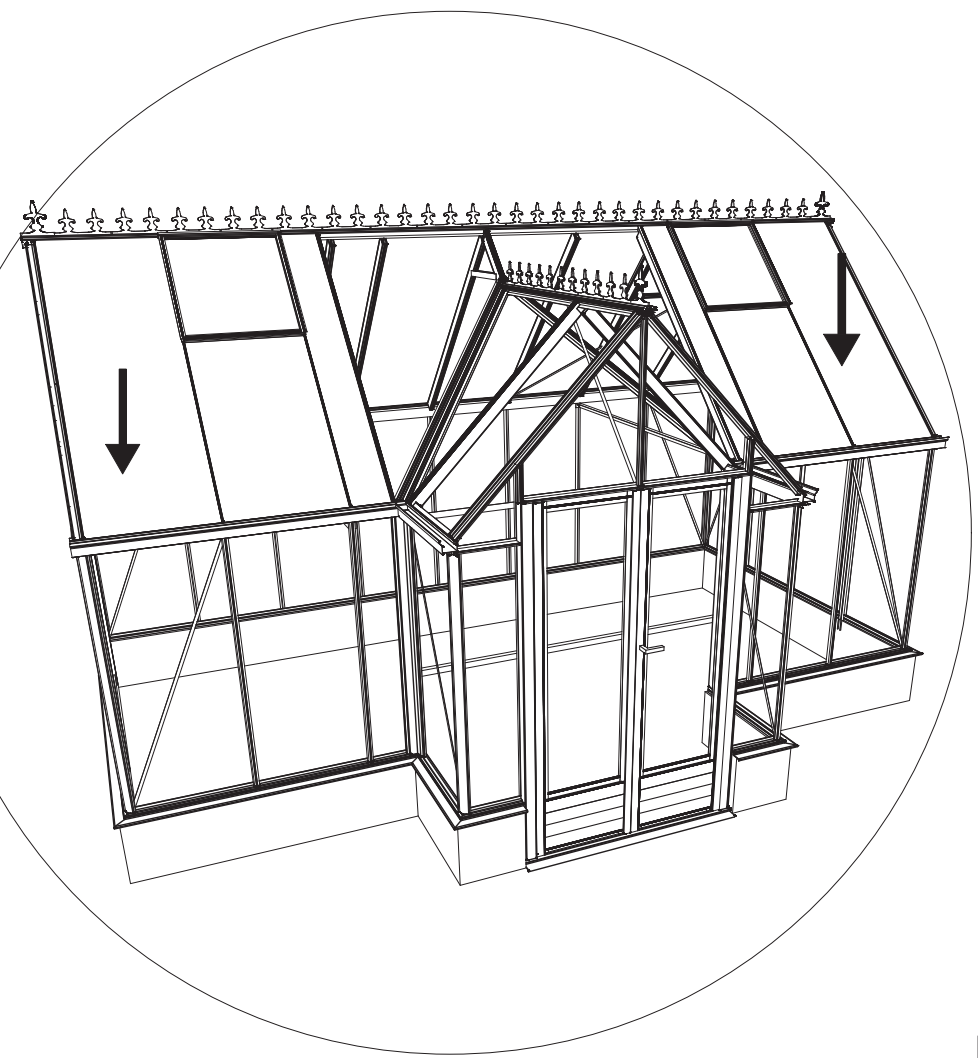
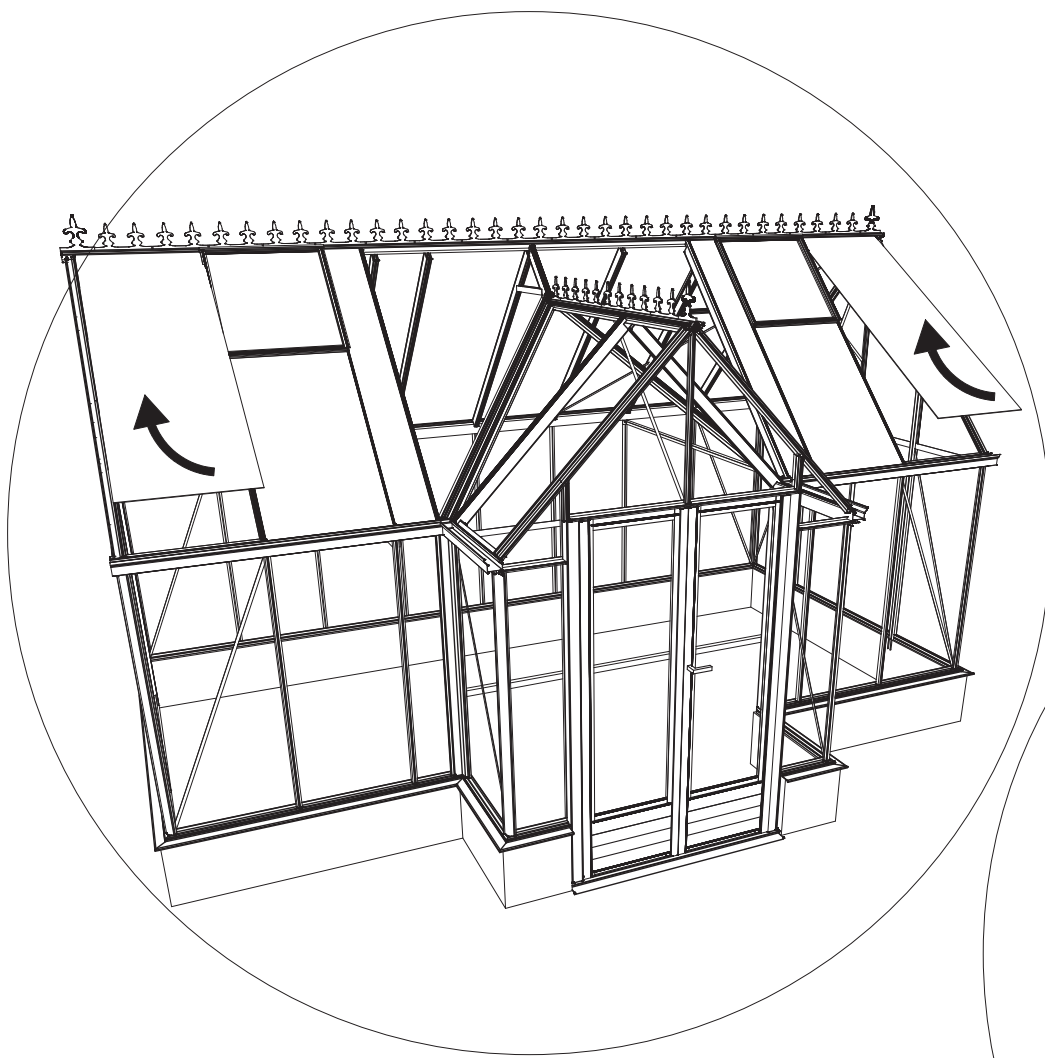
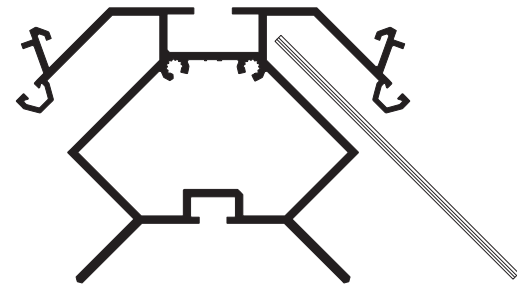


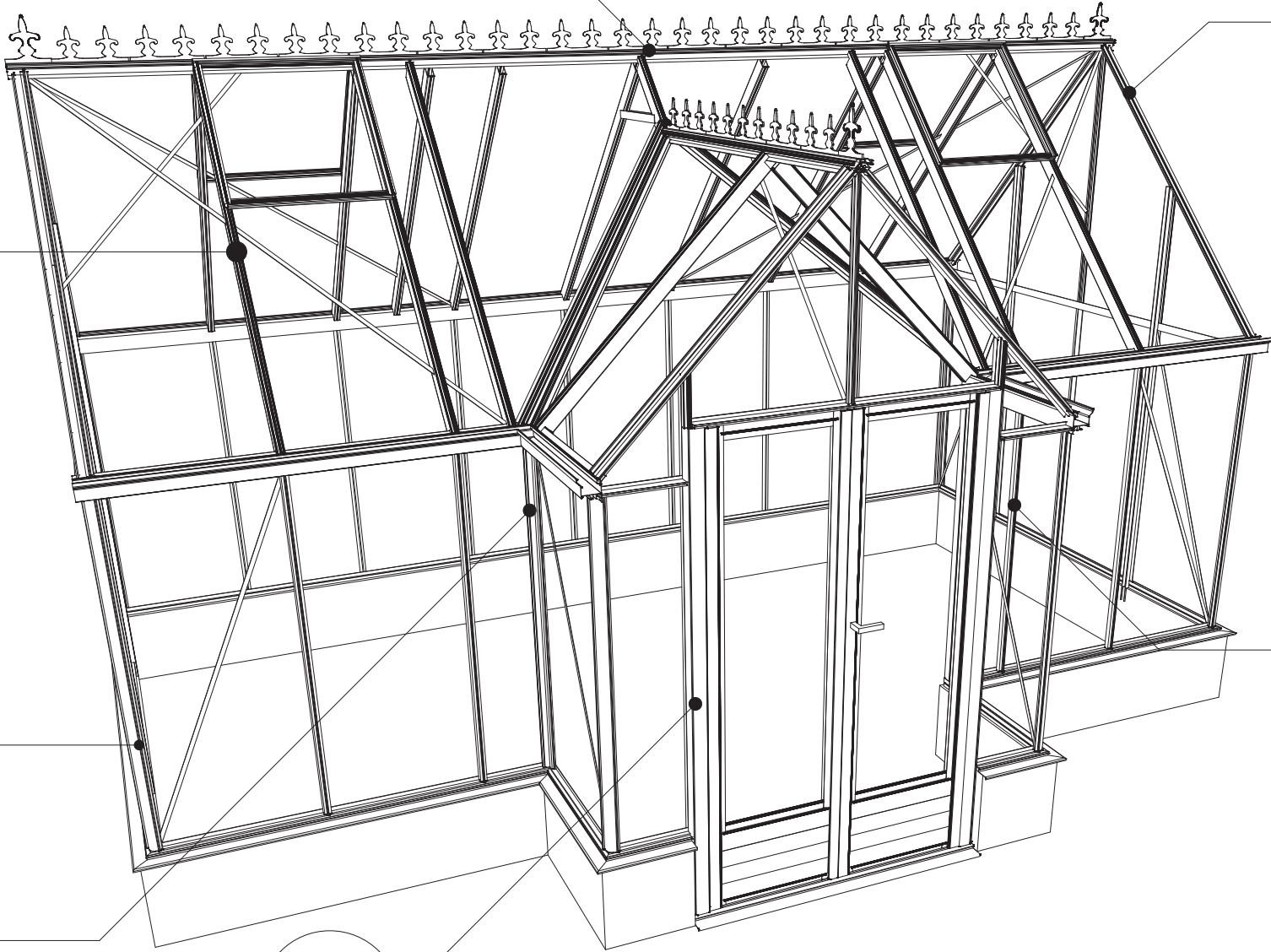
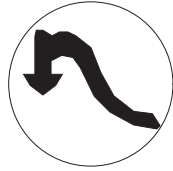
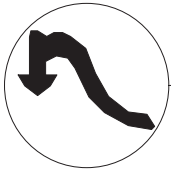
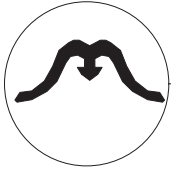
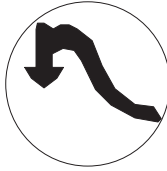
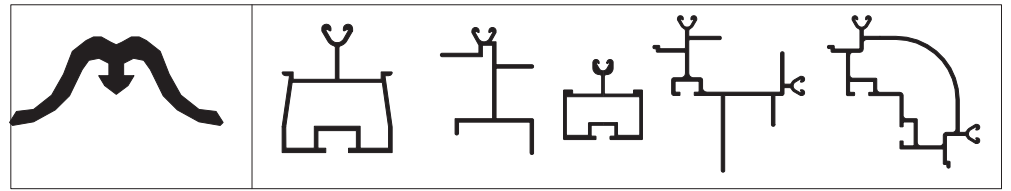
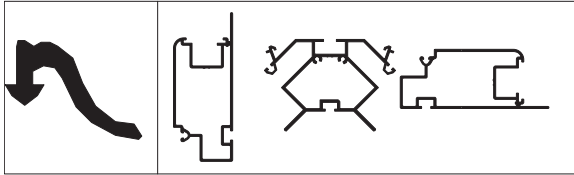


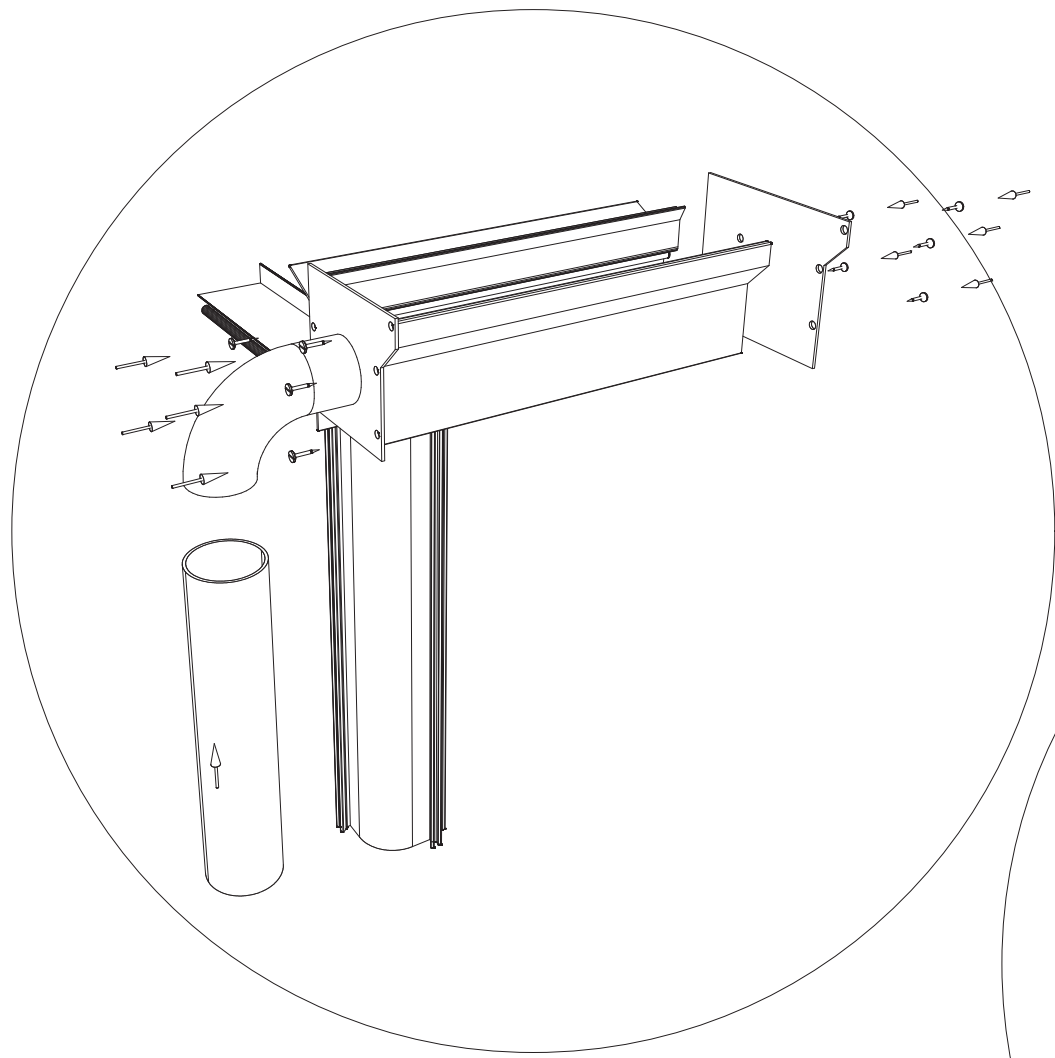


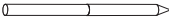










 ST-3

